

# RJ45 male insert - VS-08-ST-H11-RJ45 - 1652716


Please be informed that the data shown in this PDF Document is generated from our Online Catalog. Please find the complete data in the user's documentation. Our General Terms of Use for Downloads are valid (<http://phoenixcontact.com/download>)



RJ45 pin insert, CAT5, 8-pos., shielded, IDC connection technology, for 27 ... 26 AWG litz wires, with strain relief



## Key Commercial Data

Packing unit	1 pc
Minimum order quantity	5 pc
GTIN	 4 017918 952860
GTIN	4017918952860
Weight per Piece (excluding packing)	4.600 g
Custom tariff number	85366990
Country of origin	Taiwan

## Technical data

### Mechanical characteristics

Connection method	IDC connection technology
Overvoltage category	I
AWG solid min.	27
AWG solid max.	26
Degree of pollution	2
Cable outlet	straight
No. of cable outlets	1
Conductor cross section	0.14 mm <sup>2</sup> ... 0.18 mm <sup>2</sup> (flexible)
Weight	4.378 g
Flammability rating according to UL 94	V2

## RJ45 male insert - VS-08-ST-H11-RJ45 - 1652716

### Technical data

#### Ambient conditions

Ambient temperature (operation)	-25 °C ... 60 °C
---------------------------------	------------------

#### Material data

Contact surface material	Gold over nickel
Contact material	Copper alloy
Contact carrier material	PC
Width	11.7 mm
Height	13.5 mm
Length	30.2 mm

#### Electrical characteristics

Number of positions	8
Nominal voltage $U_N$	48 V
Nominal current $I_N$	1.75 A
Transmission characteristics (category)	CAT5 (IEC 11801:2002)
GRP transmission properties	CAT5 (IEC 11801:2002)
Frequency range	to 100 MHz
Rated current	0.5 A
Overvoltage category	I
Degree of pollution	2
Rated voltage (III/3)	72 V (DC)
Insulation resistance	min. 100 M $\Omega$ (100 V DC)

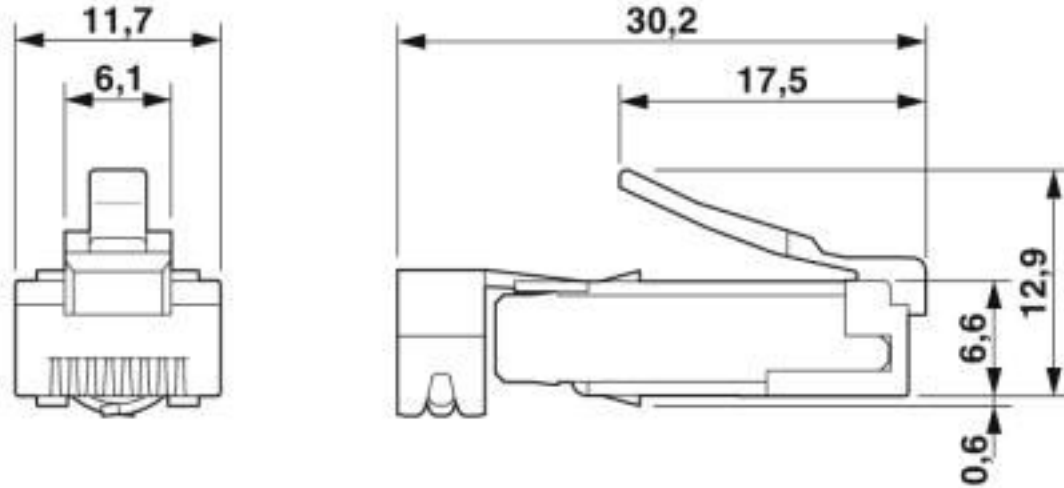
#### Standards and Regulations

Flammability rating according to UL 94	V2
--	----

### Drawings

## RJ45 male insert - VS-08-ST-H11-RJ45 - 1652716

Dimensional drawing



RJ45 male insert

### Classifications

eCl@ss

eCl@ss 10.0.1	27440205
eCl@ss 4.0	27260700
eCl@ss 4.1	27260700
eCl@ss 5.0	27260700
eCl@ss 5.1	27261200
eCl@ss 6.0	27261200
eCl@ss 7.0	27440205
eCl@ss 8.0	27440205
eCl@ss 9.0	27440205

ETIM

ETIM 2.0	EC000438
ETIM 3.0	EC000438
ETIM 4.0	EC000438
ETIM 5.0	EC000438
ETIM 6.0	EC000438
ETIM 7.0	EC000438

UNSPSC

UNSPSC 6.01	30211923
UNSPSC 7.0901	39121522

# RJ45 male insert - VS-08-ST-H11-RJ45 - 1652716

## Classifications

### UNSPSC

UNSPSC 11	39121522
UNSPSC 12.01	39121522
UNSPSC 13.2	39121522
UNSPSC 18.0	39121522
UNSPSC 19.0	39121522
UNSPSC 20.0	39121522
UNSPSC 21.0	39121522

## Approvals

### Approvals

Approvals

EAC / EAC

Ex Approvals

### Approval details

EAC		B.01687
-----	--	---------

EAC		B.01687
-----	--	---------

## Accessories

### Accessories

#### Bend protection sleeve

RJ45 bending protection sleeve - VS-08-KS-H/GY - 1654743



RJ45 bend protection sleeve, for pin inserts VS-08-ST-H11-RJ45 and VS-08-ST-H21-RJ45, for cable cross section up to 7 mm, color: gray

## RJ45 male insert - VS-08-ST-H11-RJ45 - 1652716

### Accessories

---

RJ45 bending protection sleeve - VS-08-KS-H/GN - 1654756



RJ45 bend protection sleeve, for pin inserts VS-08-ST-H11-RJ45 and VS-08-ST-H21-RJ45, for cable cross section up to 7 mm, color: green

### Crimping tool

---

Crimping pliers - VS-CT-RJ45-H - 1653265



Crimp tool, pliers with die, for RJ45 pin inserts VS-08-ST-H...-RJ45 and VS-08-RJ45-10G/C

### Sleeve housings

---

RJ45 sleeve housings - VS-08-T-H-RJ45/IP67 - 1652732



RJ45 sleeve housings, degree of protection: IP67, number of positions: 8, material: PA, cable outlet: straight, color: traffic grey A RAL 7042

RJ45 sleeve housings - VS-08-T-H-RJ45/IP67-BK - 1658671



RJ45 sleeve housings, degree of protection: IP67, number of positions: 8, material: PA, cable outlet: straight, color: jet black RAL 9005