

RJ45 panel feed-through - VS-08-SET1 - 1652619


Please be informed that the data shown in this PDF Document is generated from our Online Catalog. Please find the complete data in the user's documentation. Our General Terms of Use for Downloads are valid (<http://phoenixcontact.com/download>)



RJ45 panel mounting frame, IP67, for square panel cutout, with grommet, without mounting screws, with RJ45 socket insert, socket on socket, with protective cover, flat design



Key Commercial Data

Packing unit	1 pc
GTIN	 4 046356 028684
GTIN	4046356028684
Weight per Piece (excluding packing)	23.900 g
Custom tariff number	85369010
Country of origin	Germany

Technical data

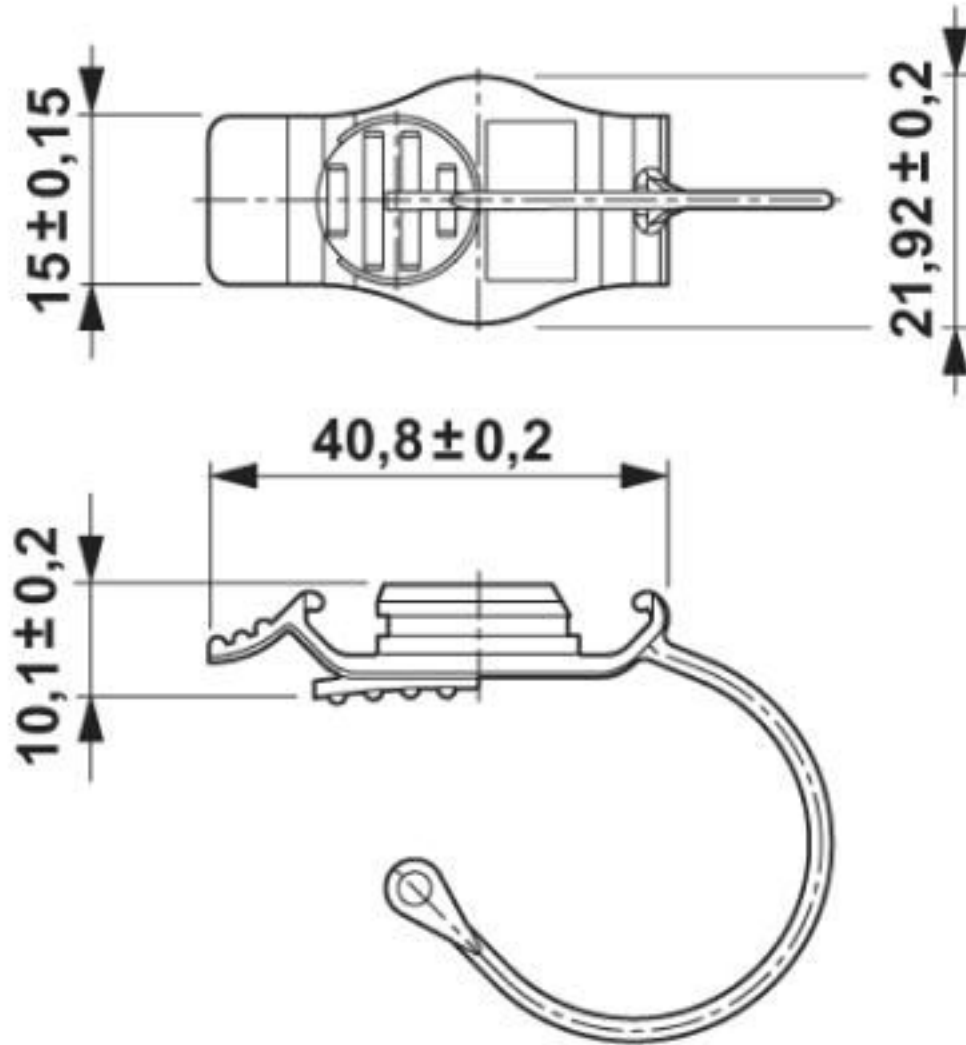
Environmental Product Compliance

China RoHS	Environmentally Friendly Use Period = 50 years
	For details about hazardous substances go to tab "Downloads", Category "Manufacturer's declaration"

Drawings

RJ45 panel feed-through - VS-08-SET1 - 1652619

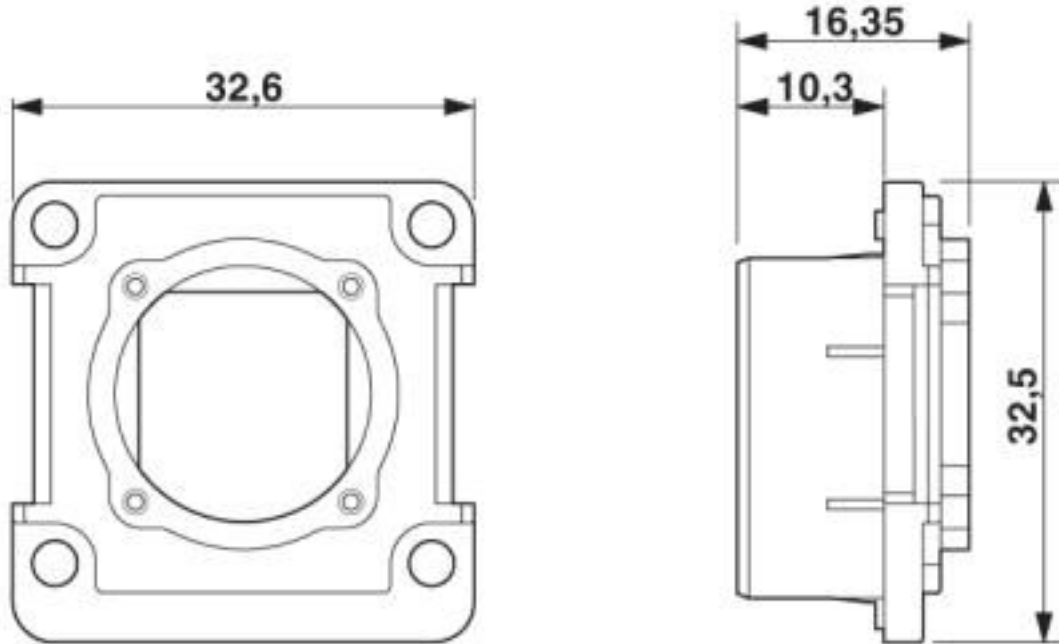
Dimensional drawing



Protective cover, IP67

RJ45 panel feed-through - VS-08-SET1 - 1652619

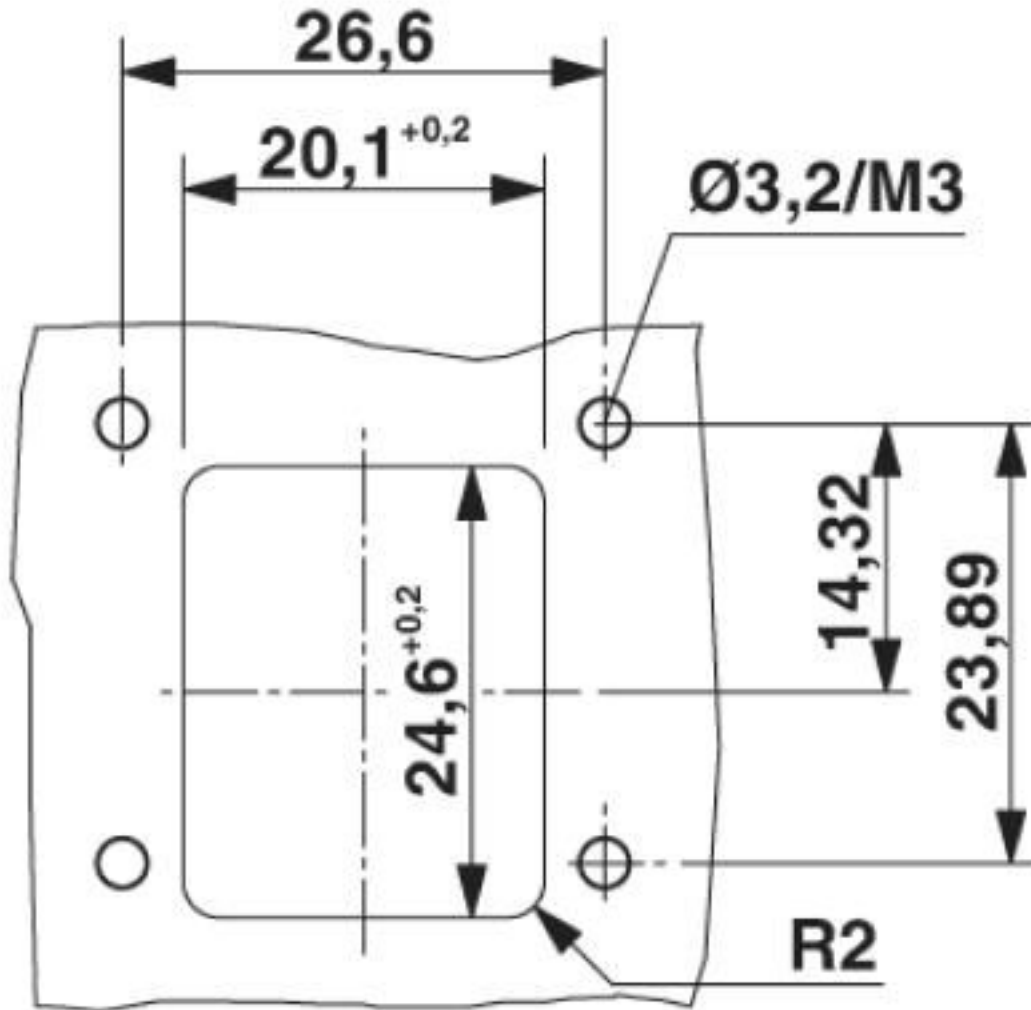
Dimensional drawing



RJ45 panel mounting frame, IP67

RJ45 panel feed-through - VS-08-SET1 - 1652619

Dimensional drawing



Mounting cutout

Classifications

eCl@ss

eCl@ss 10.0.1	27440312
eCl@ss 4.0	27260700
eCl@ss 4.1	27260700
eCl@ss 5.0	27260700
eCl@ss 5.1	27260700
eCl@ss 6.0	27260700

RJ45 panel feed-through - VS-08-SET1 - 1652619

Classifications

eCl@ss

eCl@ss 7.0	27440312
eCl@ss 8.0	27440312
eCl@ss 9.0	27440312

ETIM

ETIM 2.0	EC000764
ETIM 3.0	EC001121
ETIM 4.0	EC001121
ETIM 5.0	EC001121
ETIM 6.0	EC002641
ETIM 7.0	EC002641

UNSPSC

UNSPSC 6.01	31261501
UNSPSC 7.0901	31261501
UNSPSC 11	31261501
UNSPSC 12.01	31261501
UNSPSC 13.2	39121419
UNSPSC 18.0	39121419
UNSPSC 19.0	39121419
UNSPSC 20.0	39121419
UNSPSC 21.0	39121419