

Adapter plate - VS-ADP24-VS09GS-BU/BU/RJ45 - 1652512

Please be informed that the data shown in this PDF Document is generated from our Online Catalog. Please find the complete data in the user's documentation. Our General Terms of Use for Downloads are valid (<http://phoenixcontact.com/download>)

Adapter plate, size B24, reinforced, including panel mounting frame with DSUB 9 protective cover and gender changer contact insert socket/socket, and RJ45/IP67 panel mounting frame for modular socket inserts with protective cover without contact insert



Key Commercial Data

Packing unit	1 pc
GTIN	 4 017918 936358
GTIN	4017918936358
Custom tariff number	85366990
Country of origin	Germany

Technical data

Mechanical characteristics

Weight	76.25 g
Flammability rating according to UL 94	HB

Ambient conditions

Ambient temperature (operation)	-20 °C ... 80 °C
---------------------------------	------------------

Material data

Width	33.7 mm
Height	52 mm
Length	150 mm

Standards and Regulations

Flammability rating according to UL 94	HB
--	----

Adapter plate - VS-ADP24-VS09GS-BU/BU/RJ45 - 1652512

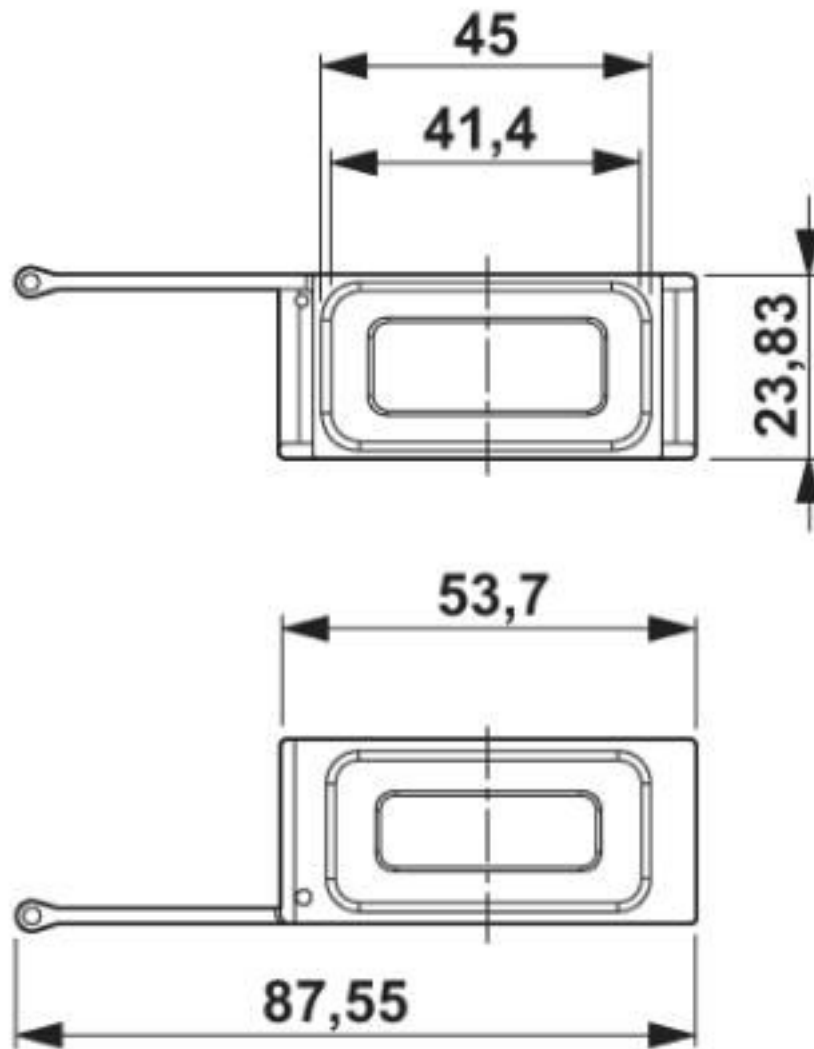
Technical data

Environmental Product Compliance

REACH SVHC	Lead 7439-92-1
China RoHS	Environmentally Friendly Use Period = 50 years
	For details about hazardous substances go to tab "Downloads", Category "Manufacturer's declaration"

Drawings

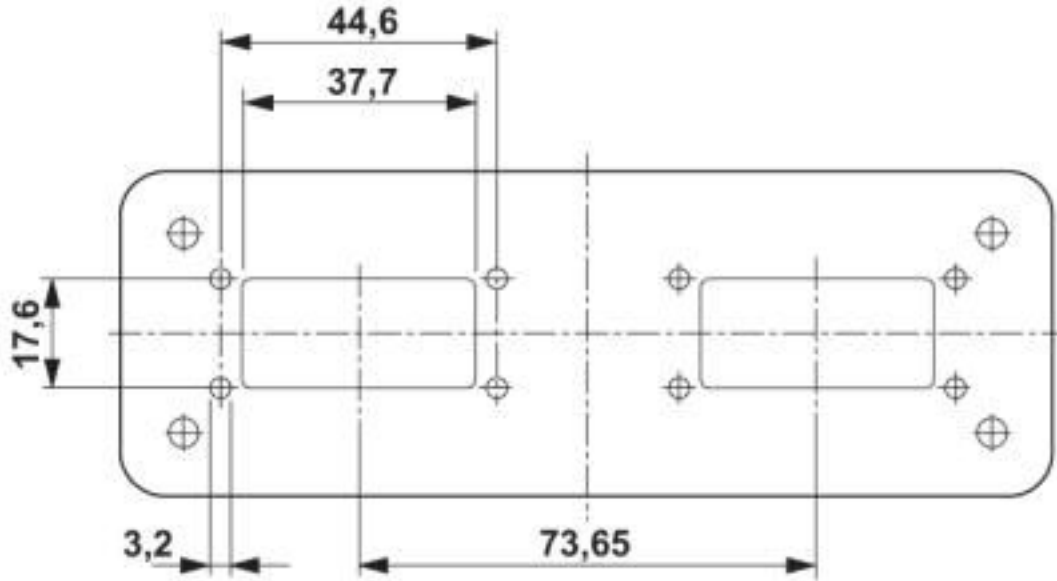
Dimensional drawing



Protective cover for D-SUB

Adapter plate - VS-ADP24-VS09GS-BU/BU/RJ45 - 1652512

Dimensional drawing



Mounting cutout

Classifications

eCl@ss

eCl@ss 10.0.1	27440201
eCl@ss 4.0	27140800
eCl@ss 4.1	27140800
eCl@ss 5.0	27189200
eCl@ss 5.1	27189200
eCl@ss 6.0	27261200
eCl@ss 7.0	27440201
eCl@ss 8.0	27440201
eCl@ss 9.0	27440201

ETIM

ETIM 2.0	EC000007
ETIM 3.0	EC000007
ETIM 4.0	EC000007
ETIM 5.0	EC002309
ETIM 6.0	EC002309
ETIM 7.0	EC002309

Adapter plate - VS-ADP24-VS09GS-BU/BU/RJ45 - 1652512

Classifications

UNSPSC

UNSPSC 6.01	31261501
UNSPSC 7.0901	31261501
UNSPSC 11	31261501
UNSPSC 12.01	31261501
UNSPSC 13.2	31261501
UNSPSC 18.0	31261501
UNSPSC 19.0	31261501
UNSPSC 20.0	31261501
UNSPSC 21.0	31261501

Approvals


Approvals

Approvals

EAC

Ex Approvals

Approval details

EAC		B.01687
-----	---	---------
