

## RJ45 sleeve housings - VS-08-T-G-RJ45/IP20 - 1652295


Please be informed that the data shown in this PDF Document is generated from our Online Catalog. Please find the complete data in the user's documentation. Our General Terms of Use for Downloads are valid (<http://phoenixcontact.com/download>)



RJ45 sleeve housing, IP20, for pin insert VS-08-ST-RJ45, with push-pull interlocking for panel mounting frames, inverted design, for Factoryline modular managed switches, for cable cross section 5.0 mm ... 6.5 mm



### Key Commercial Data

Packing unit	1 pc
Minimum order quantity	5 pc
GTIN	 4 017918 936174
GTIN	4017918936174
Weight per Piece (excluding packing)	6.100 g
Custom tariff number	85472000
Country of origin	Germany

### Technical data

#### Mechanical characteristics

Minimum external conductor diameter	5 mm
Maximum external conductor diameter	6.5 mm
Cable outlet	straight
No. of cable outlets	1
Weight	6.1 g
Flammability rating according to UL 94	V0

#### Ambient conditions

Ambient temperature (operation)	-40 °C ... 80 °C
---------------------------------	------------------

#### Material data

## RJ45 sleeve housings - VS-08-T-G-RJ45/IP20 - 1652295

### Technical data

#### Material data

Cable gland material	PA
Housing material	PA
Width	13.8 mm
Height	29.4 mm
Length	31.5 mm

#### Standards and Regulations

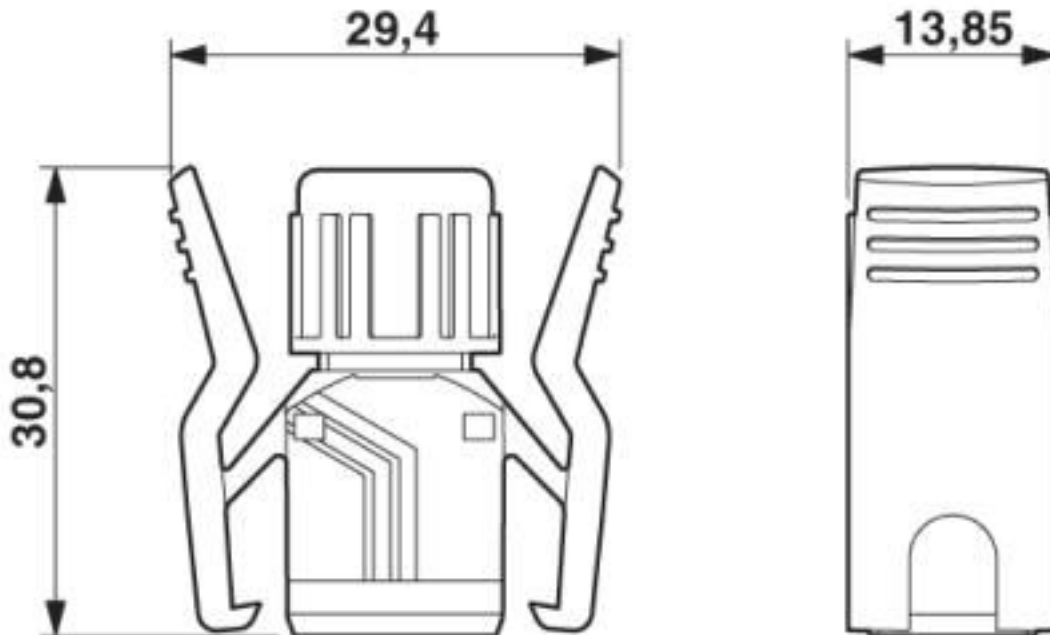
Flammability rating according to UL 94	V0
--	----

#### Environmental Product Compliance

China RoHS	Environmentally friendly use period: unlimited = EFUP-e
	No hazardous substances above threshold values

### Drawings

Dimensional drawing



RJ45 sleeve housing, IP20, turned

## RJ45 sleeve housings - VS-08-T-G-RJ45/IP20 - 1652295

### Classifications

#### eCl@ss

eCl@ss 10.0.1	27440202
eCl@ss 4.0	27260700
eCl@ss 4.1	27260700
eCl@ss 5.0	27260700
eCl@ss 5.1	27261200
eCl@ss 6.0	27261200
eCl@ss 7.0	27440202
eCl@ss 8.0	27440202
eCl@ss 9.0	27440202

#### ETIM

ETIM 2.0	EC000764
ETIM 3.0	EC001121
ETIM 4.0	EC001121
ETIM 5.0	EC000437
ETIM 6.0	EC000437
ETIM 7.0	EC000437

#### UNSPSC

UNSPSC 6.01	31261501
UNSPSC 7.0901	31261501
UNSPSC 11	31261501
UNSPSC 12.01	31261501
UNSPSC 13.2	31261501
UNSPSC 18.0	31261501
UNSPSC 19.0	31261501
UNSPSC 20.0	31261501
UNSPSC 21.0	31261501

### Approvals

#### Approvals

---

Approvals

EAC

---

Ex Approvals

## RJ45 sleeve housings - VS-08-T-G-RJ45/IP20 - 1652295

### Approvals

---

#### Approval details

EAC		B.01687
-----	---	---------

### Accessories

#### Accessories

##### Male insert

RJ45 male insert - VS-08-ST-RJ45 - 1688573



RJ45 pin insert, CAT5e, 8-pos., shielded, IDC connection method, for litz wires AWG 26 and solid wires AWG 26 ... 24