

D-SUB pressure nut - VS-M20 (5-13) - 1652127


Please be informed that the data shown in this PDF Document is generated from our Online Catalog. Please find the complete data in the user's documentation. Our General Terms of Use for Downloads are valid (<http://phoenixcontact.com/download>)



D-SUB cap nut with line seal, for conductor diameter of 5 mm ... 13 mm, for sleeve housing VS-25-...



Key Commercial Data

| | |
|--------------------------------------|---|
| Packing unit | 1 pc |
| Minimum order quantity | 5 pc |
| GTIN |  4 017918 917111 |
| GTIN | 4017918917111 |
| Weight per Piece (excluding packing) | 5.100 g |
| Custom tariff number | 39269097 |
| Country of origin | Germany |

Technical data

Dimensions

| | |
|-------------------------|----------------|
| External cable diameter | 5 mm ... 13 mm |
|-------------------------|----------------|

Ambient conditions

| | |
|---------------------------------|------------------|
| Ambient temperature (operation) | -40 °C ... 80 °C |
| Ambient temperature (assembly) | -20 °C ... 80 °C |

General data

| | |
|----------------------|------|
| Housing material | PA |
| Degree of protection | IP67 |

Standards and Regulations

D-SUB pressure nut - VS-M20 (5-13) - 1652127

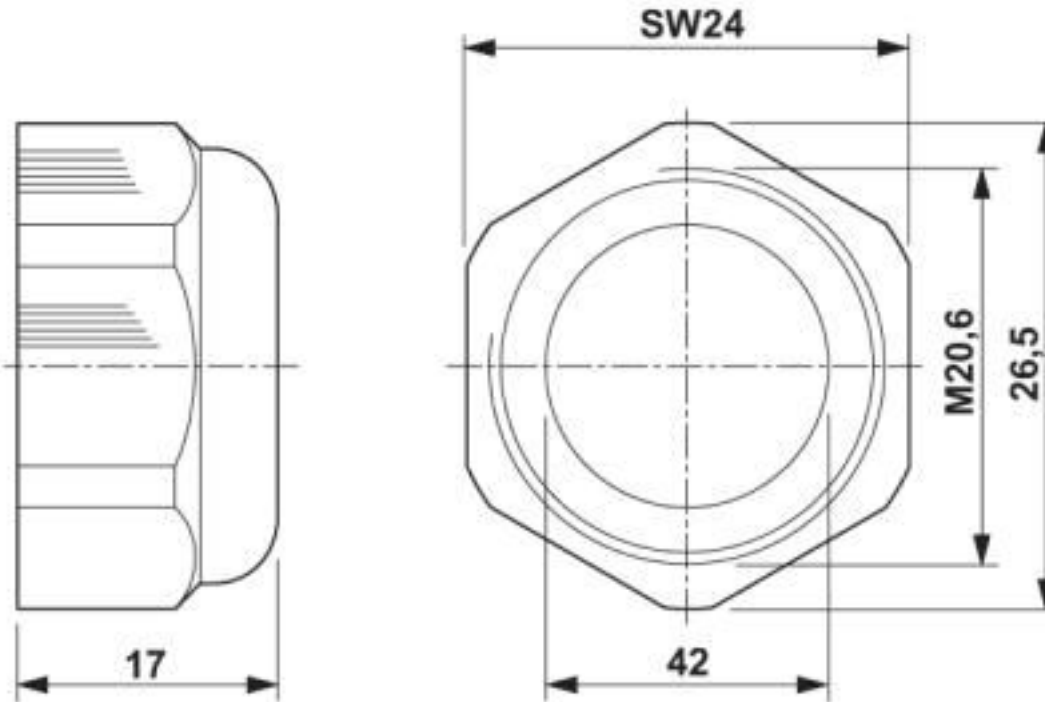
Technical data

Standards and Regulations

| | |
|--|----|
| Flammability rating according to UL 94 | V0 |
|--|----|

Drawings

Dimensional drawing



Classifications

eCl@ss

| | |
|---------------|----------|
| eCl@ss 10.0.1 | 27144420 |
| eCl@ss 4.0 | 27141200 |
| eCl@ss 4.1 | 27141200 |
| eCl@ss 5.0 | 27149100 |
| eCl@ss 5.1 | 27149100 |
| eCl@ss 6.0 | 27149100 |
| eCl@ss 7.0 | 27069215 |
| eCl@ss 8.0 | 27069215 |
| eCl@ss 9.0 | 27144420 |

D-SUB pressure nut - VS-M20 (5-13) - 1652127

Classifications

ETIM

| | |
|----------|----------|
| ETIM 2.0 | EC000441 |
| ETIM 3.0 | EC000441 |
| ETIM 4.0 | EC000441 |
| ETIM 5.0 | EC000814 |
| ETIM 6.0 | EC000814 |
| ETIM 7.0 | EC000814 |

UNSPSC

| | |
|---------------|----------|
| UNSPSC 6.01 | 30211923 |
| UNSPSC 7.0901 | 39121522 |
| UNSPSC 11 | 39121522 |
| UNSPSC 12.01 | 39121522 |
| UNSPSC 13.2 | 31161514 |
| UNSPSC 18.0 | 31161514 |
| UNSPSC 19.0 | 31161514 |
| UNSPSC 20.0 | 31161514 |
| UNSPSC 21.0 | 31161514 |