

## Contact insert - HC-B 10-I-CT-F - 1648225

Please be informed that the data shown in this PDF Document is generated from our Online Catalog. Please find the complete data in the user's documentation. Our General Terms of Use for Downloads are valid (<http://phoenixcontact.com/download>)



HEAVYCON female insert, B10 series, 10-pos., for crimp contacts

### Your advantages

- For fast coding with plastic profile

COMPLETE RoHS

### Key Commercial Data

|                                      |   |
|--------------------------------------|---|
| Packing unit                         | 1 pc  |
| GTIN                                 | <br>4 046356 092357 |
| GTIN                                 | 4046356092357   |
| Weight per Piece (excluding packing) | 55.210 g  |
| Custom tariff number                 | 85366990  |
| Country of origin                    | China   |

### Technical data

#### General

|                                    |   |
|------------------------------------|---|
| Note                               | For HEAVYCON ADVANCE and HEAVYCON housing of B10 type, crimp contacts CK 2,5-ED (crimp contacts not included in the scope of supply).<br>Connectors may be operated only when there is no load/voltage. |
| Connection method                  | Crimp connection  |
| Torque                             | 0.8 Nm ... 1.2 Nm (PE connection)<br>0.5 Nm ... 0.8 Nm (Mounting screws for mounting in the HEAVYCON housing)   |
| Number of connections per position | 1   |
| Degree of pollution                | 3   |

# Contact insert - HC-B 10-I-CT-F - 1648225

## Technical data

### General

|   |   |
|---|---|
| Overvoltage category                    | III   |
| Number of positions                     | 10+PE   |
| Insertion/withdrawal cycles             | ≥ 500   |
| Size                                    | B10   |
| Contact numbering                       | 1 - 10  |
| Conductor cross section                 | 0.5 mm <sup>2</sup> ... 4 mm <sup>2</sup>   |
| Connection cross section AWG            | 20 ... 12   |
| Stripping length of the individual wire | 7.5 mm  |
| Assembly instructions                   | To ensure correct use, installation in housing with IP54 protection or better is required   |
| Connection                              | Remove the crimp contact using a screwdriver. The opening for the screwdriver is next to the opening where the conductor is inserted. |

### Ambient conditions

|                                 |  |
|---------------------------------|--|
| Degree of protection (IP)       | IP20   |
| Ambient temperature (operation) | -40 °C ... 125 °C (including heating up of contacts) |

### Material data

|                          |   |
|--------------------------|---|
| Contact material         | Copper alloy  |
| Contact surface material | Ag (alternatively Au)   |
| Contact carrier material | PA  |
| Standards/regulations    | PA: Fire protection in rail vehicles - requirement sets R22 and R23 acc. to DIN EN 45545-2 (Risk level HL1 - HL2) |
|                          | PA: Fire protection in rail vehicles - requirement set R24 acc. to DIN EN 45545-2 (Risk level HL1 - HL3)          |

### Electrical characteristics

|                       |       |
|-----------------------|-------|
| Rated voltage (III/3) | 500 V |
| Rated surge voltage   | 6 kV  |
| Rated current         | 16 A  |

### Standards and Regulations

|  |              |
|--|--------------|
| Connection in acc. with standard       | CSA          |
| Constructional and testing regulations | DIN EN 61984 |
|  | DIN EN 60664 |
|  | IEC 60352    |
| Flammability rating according to UL 94 | V0           |

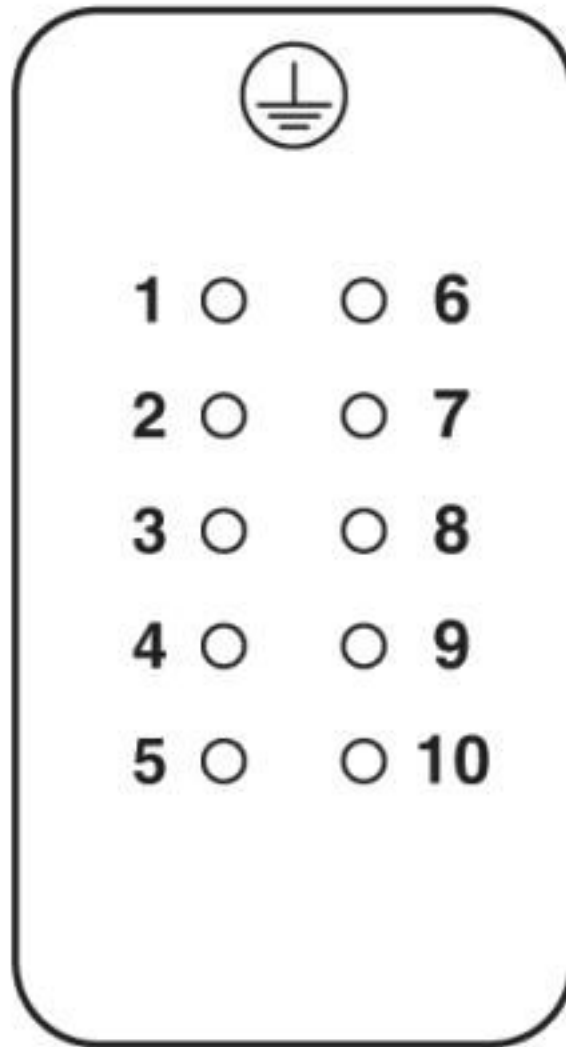
### Environmental Product Compliance

|            |   |
|------------|---|
| China RoHS | Environmentally friendly use period: unlimited = EFUP-e |
|            | No hazardous substances above threshold values          |

# Contact insert - HC-B 10-I-CT-F - 1648225

## Drawings

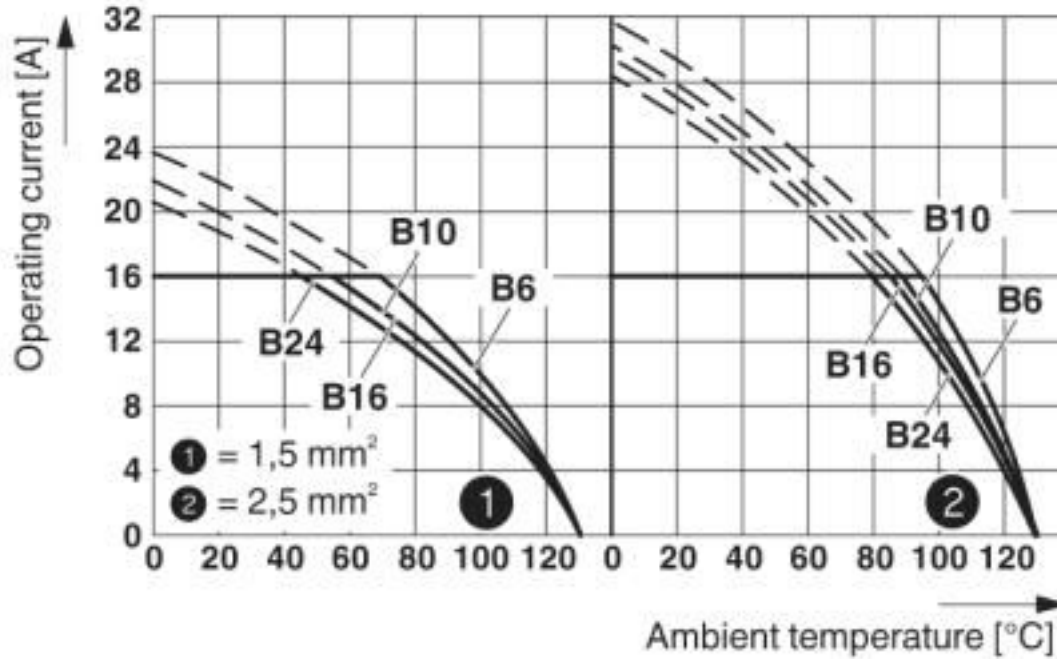
Schematic diagram



Connector pin assignment, connection side

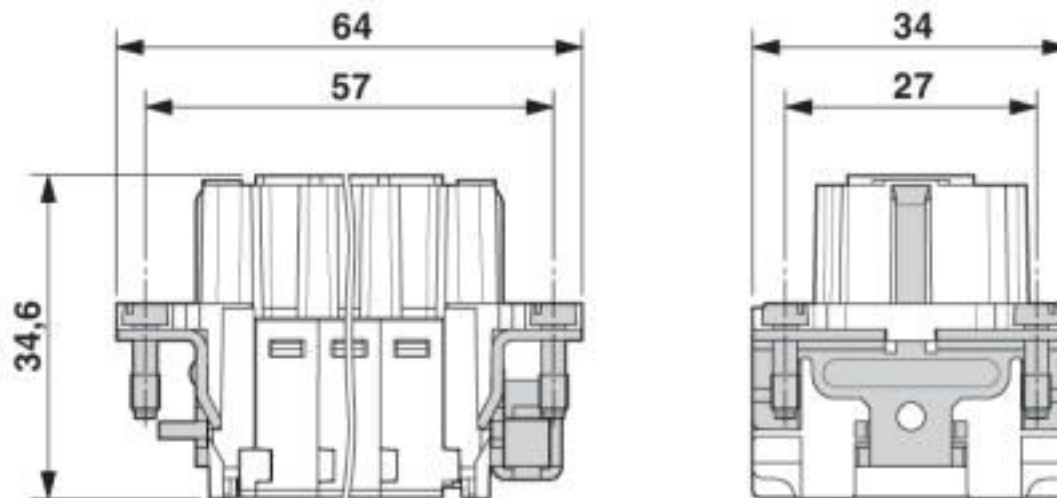
# Contact insert - HC-B 10-I-CT-F - 1648225

Diagram



Derating diagram

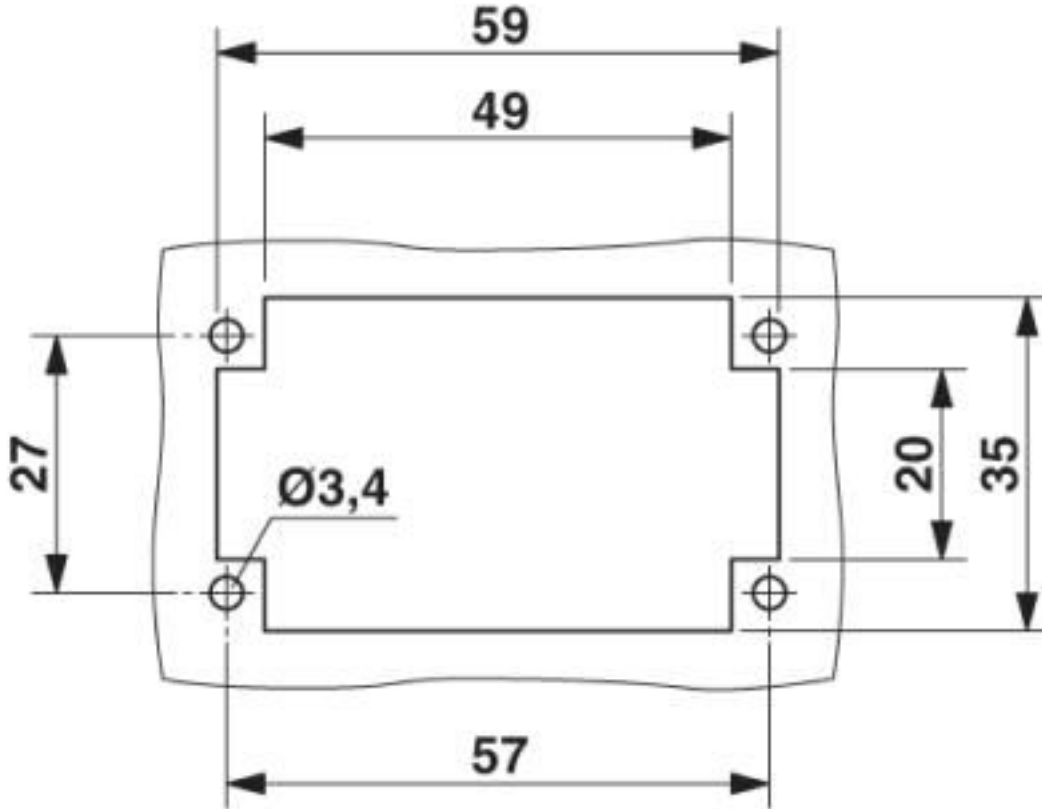
Dimensional drawing



Female insert

# Contact insert - HC-B 10-I-CT-F - 1648225

Dimensional drawing



Mounting cutout when used without housing

## Classifications

eCl@ss

|               |          |
|---------------|----------|
| eCl@ss 10.0.1 | 27440205 |
| eCl@ss 4.0    | 27140800 |
| eCl@ss 4.1    | 27140800 |
| eCl@ss 5.0    | 27143400 |
| eCl@ss 5.1    | 27261200 |
| eCl@ss 6.0    | 27261200 |
| eCl@ss 7.0    | 27440205 |
| eCl@ss 8.0    | 27440205 |
| eCl@ss 9.0    | 27440205 |

ETIM

|          |          |
|----------|----------|
| ETIM 3.0 | EC000438 |
|----------|----------|

# Contact insert - HC-B 10-I-CT-F - 1648225

## Classifications

### ETIM

|          |          |
|----------|----------|
| ETIM 4.0 | EC000438 |
| ETIM 5.0 | EC000438 |
| ETIM 6.0 | EC000438 |
| ETIM 7.0 | EC000438 |

### UNSPSC

|               |          |
|---------------|----------|
| UNSPSC 6.01   | 30211923 |
| UNSPSC 7.0901 | 39121522 |
| UNSPSC 11     | 39121522 |
| UNSPSC 12.01  | 39121522 |
| UNSPSC 13.2   | 39121522 |
| UNSPSC 18.0   | 39121522 |
| UNSPSC 19.0   | 39121522 |
| UNSPSC 20.0   | 39121522 |
| UNSPSC 21.0   | 39121522 |

## Approvals


### Approvals

#### Approvals

CSA / UL Recognized / cUL Recognized / EAC / EAC / cULus Recognized

#### Ex Approvals

### Approval details

|                            |   |   |                |
|----------------------------|---|---|----------------|
| CSA                        |  | <a href="http://www.csagroup.org/services-industries/product-listing/">http://www.csagroup.org/services-industries/product-listing/</a> | 013631_6233_01 |
| Nominal voltage UN         | 600 V   |   |                |
| Nominal current IN         | 20 A  |   |                |
| mm <sup>2</sup> /AWG/kcmil | 20-12   |   |                |

# Contact insert - HC-B 10-I-CT-F - 1648225

## Approvals

|                            |  |   |               |
|----------------------------|--|---|---------------|
| UL Recognized              |  | <a href="http://database.ul.com/cgi-bin/XYV/template/LISEXT/1FRAME/index.htm">http://database.ul.com/cgi-bin/XYV/template/LISEXT/1FRAME/index.htm</a> | FILE E 118976 |
| Nominal voltage UN         |  | 600 V   |               |
| Nominal current IN         |  | 13 A  |               |
| mm <sup>2</sup> /AWG/kcmil |  | 22-14   |               |

|                            |  |   |               |
|----------------------------|--|---|---------------|
| cUL Recognized             |  | <a href="http://database.ul.com/cgi-bin/XYV/template/LISEXT/1FRAME/index.htm">http://database.ul.com/cgi-bin/XYV/template/LISEXT/1FRAME/index.htm</a> | FILE E 118976 |
| Nominal voltage UN         |  | 600 V   |               |
| Nominal current IN         |  | 13 A  |               |
| mm <sup>2</sup> /AWG/kcmil |  | 22-14   |               |

|     |  |                          |
|-----|--|--------------------------|
| EAC |  | RU C-<br>DE.AI30.B.01102 |
|-----|--|--------------------------|

|     |  |                          |
|-----|--|--------------------------|
| EAC |  | RU C-<br>DE.BL08.B.00511 |
|-----|--|--------------------------|

|                  |  |
|------------------|--|
| cULus Recognized |  |
|------------------|--|

## Accessories

Accessories

Coding element

Coding profile - CP-HC - 1686478



Coding profile, 4 coding profiles per strip, for insertion in coding keyways

## Contact insert - HC-B 10-I-CT-F - 1648225

### Accessories

---

Coding element - HC-CBU - 1676860



Coding socket for coding up to 16 connectors

---

Coding bolt - HC-CB - 1772722



Coding pin, prevents mismatching of up to six connectors with an identical number of positions

---

Coding element - HC-CST - 1676857



Coding peg for coding up to 16 connectors

---

Dummy socket - CK2,5-ED-BB - 1584693



Dummy socket for contact carrier with turned CK 2,5-ED... socket contacts. For HC-A../HC-BB../HC-M... series contact inserts.

---

### Crimp contact

Crimp contact - CK2,5-ED-0,50BU AG - 1663640



Turned 2.5 crimp contact, individual female contact, core diameter 0.5 mm<sup>2</sup>, silver-plated

---



## Contact insert - HC-B 10-I-CT-F - 1648225

### Accessories

Crimp contact - CK2,5-ED-0,75BU AG - 1663653



Turned 2.5 crimp contact, individual female contact, core diameter 0.75 mm<sup>2</sup>, silver-plated

---

Crimp contact - CK2,5-ED-1,00BU AG - 1663666



Turned 2.5 crimp contact, individual female contact, core diameter 0.75 to 1.00 mm<sup>2</sup>, silver-plated

---

Crimp contact - CK2,5-ED-1,50BU AG - 1663679



Turned 2.5 crimp contact, individual female contact, core diameter 1.5 mm<sup>2</sup>, silver-plated

---

Crimp contact - CK2,5-ED-2,50BU AG - 1663682



Turned 2.5 crimp contact, individual female contact, core diameter 2.5 mm<sup>2</sup>, silver-plated

---

Crimp contact - CK2,5-ED-3,00BU AG - 1663695



Turned 2.5 crimp contact, individual female contact, core diameter 3.00 mm<sup>2</sup>, silver-plated

---

## Contact insert - HC-B 10-I-CT-F - 1648225

### Accessories

Crimp contact - CK2,5-ED-4,00BU AG - 1663705



Turned 2.5 crimp contact, individual female contact, core diameter 4.00 mm<sup>2</sup>, silver-plated

---

Crimp contact - CK2,5-ED-0,50BU AU - 1674859



Turned 2.5 crimp contact, individual female contact, core diameter 0.5 mm<sup>2</sup>, gold-plated

---

Crimp contact - CK2,5-ED-1,00BU AU - 1674833



Turned 2.5 crimp contact, individual female contact, core diameter 0.75 to 1.0 mm<sup>2</sup>, gold-plated

---

Crimp contact - CK2,5-ED-1,50BU AU - 1674820



Turned 2.5 crimp contact, individual female contact, core diameter 1.5 mm<sup>2</sup>, gold-plated

---

Crimp contact - CK2,5-ED-2,50BU AU - 1674862



Turned 2.5 crimp contact, individual female contact, core diameter 2.5 mm<sup>2</sup>, gold-plated

---

## Contact insert - HC-B 10-I-CT-F - 1648225

### Accessories

Crimp contact - CK2,5-ED-4,00BU AU - 1674846



Turned 2.5 crimp contact, individual female contact, core diameter 4.00 mm<sup>2</sup>, gold-plated

---

### Crimping tool

Crimping pliers - CRIMPFOX-1,6/2,5-ED-4,0 - 1687419



Crimping pliers, for turned contacts, CK 1.6 ED... and CK 2.5 ED...

---

### Docking frame

Docking frames - HC-B 10-ANDOCK - 1586125



Docking frame for racks, for contact inserts of B10 type, with four M5 flat headed screws, rack balance x/y axis +/- 1.5 mm

---

### Mounting material

Screw - HC-B-PES - 1604997



PE screw, for contact inserts HC-B / HC-BB / HC-DD / HC-D40 / HC-D64

## Contact insert - HC-B 10-I-CT-F - 1648225

### Accessories

PE multiplier - HC-B-3PE - 1644326



PE multiplier, for three PE connections, for HC-B (besides HC-B..E..ZZ) / HC-BB / HC-DD / HC-D40 / HC-D64 contact inserts

---

Strain relief clamp - HC-B-ZG - 1685327



Strain relief clamps contact inserts of series: B-, BB-, D 40, D 64, DD and HV, straight cable exit

---

Strain relief clamp - HC-B-ZS - 1685330



Strain relief clamps contact inserts of series: B-, BB-, D 40, D 64, DD and HV, lateral cable exit

---

Crimp contact - CK2,5-ED-0,37BU AU - 1585647



Crimp contact, connection method: Crimp connection, connection cross section: AWG 22- 26

---

### Additional products

Contact insert - HC-B 10-I-CT-M - 1648212



HEAVYCON male insert, B10 series, 10-pos., for crimp contacts

