

Cable gland - HC-M-KV-T-M32 - 1646201

Please be informed that the data shown in this PDF Document is generated from our Online Catalog. Please find the complete data in the user's documentation. Our General Terms of Use for Downloads are valid (<http://phoenixcontact.com/download>)



Metal screw connection with cable bend protection and strain relief, thread length: 8 mm, cable sealing area: 18 - 27 mm, clamping area: 20 - 30 mm, SW 40, screw connection: M32



Key Commercial Data

Packing unit	1 pc
GTIN	 4 017918 941345
GTIN	4017918941345
Weight per Piece (excluding packing)	149.300 g
Custom tariff number	74199990
Country of origin	Germany

Technical data

Dimensions

Length	51 mm
Length without connecting thread	43 mm
Connecting thread diameter	32 mm
Wrench size, union nut	41 mm
Wrench size, support	40 mm
Hexagon angular dimension	50 mm
Length of the connecting thread	8 mm
External cable diameter	18 mm ... 27 mm
Clamping range of the strain relief clip	20.00 mm ... 30.00 mm

Ambient conditions

Degree of protection (IP)	IP65
---------------------------	------

Cable gland - HC-M-KV-T-M32 - 1646201

Technical data

Ambient conditions

Ambient temperature (operation)	-20 °C ... 80 °C (static)
---------------------------------	---------------------------

General

No. of conductors	1
Cable gland material	Nickel-plated brass
Cable seal material	Perbunan
O-ring material	NBR
Shielded	no
Thread type on connection side	M32 x 1.5
Torque	18 Nm (Support sleeve) 12 Nm (Union nut)
Color	silver
Manufacturer	wafi

Standards and Regulations

Halogen-free	no
--------------	----

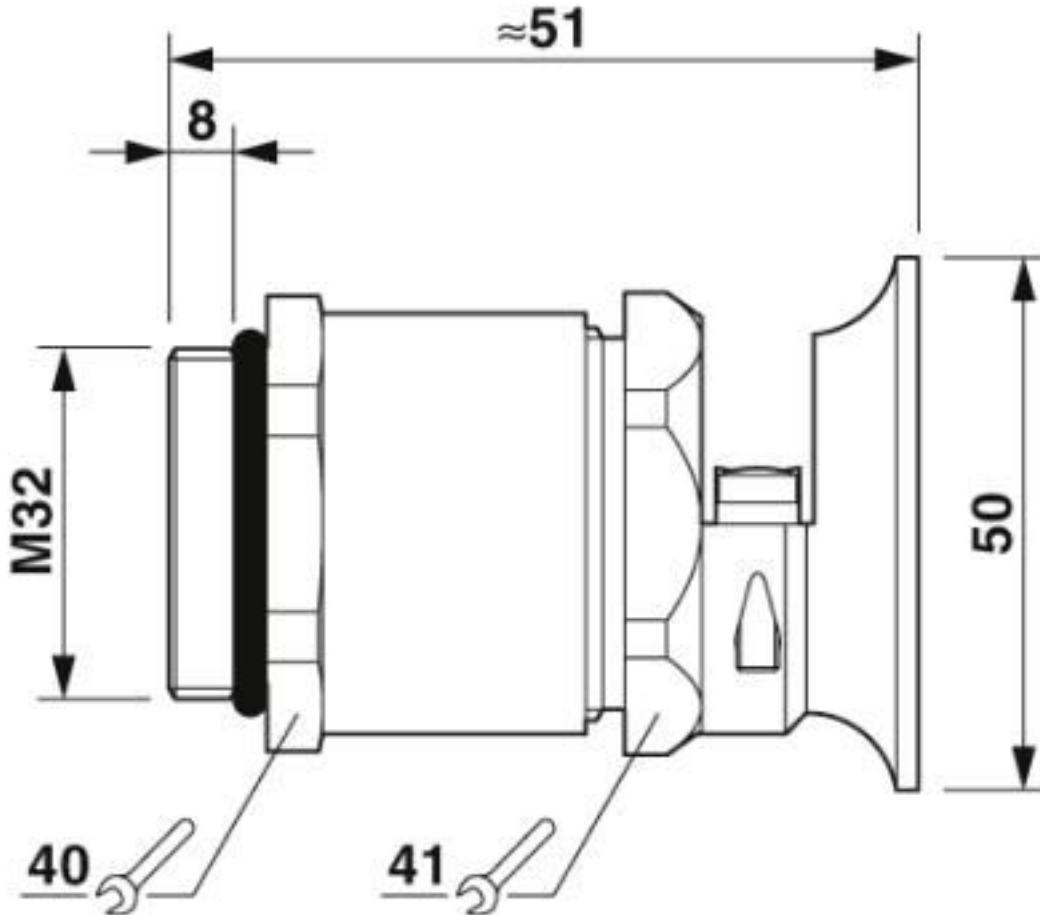
Environmental Product Compliance

REACH SVHC	Lead 7439-92-1
China RoHS	Environmentally Friendly Use Period = 50 years
	For details about hazardous substances go to tab "Downloads", Category "Manufacturer's declaration"

Drawings

Cable gland - HC-M-KV-T-M32 - 1646201

Dimensional drawing



Dimensional drawing

Classifications

eCl@ss

eCl@ss 10.0.1	27144432
eCl@ss 4.0	27141200
eCl@ss 4.1	27141200
eCl@ss 5.0	27149100
eCl@ss 5.1	27149100
eCl@ss 6.0	27149100
eCl@ss 7.0	27149109
eCl@ss 8.0	27149109

Cable gland - HC-M-KV-T-M32 - 1646201

Classifications

eCl@ss

eCl@ss 9.0	27144432
------------	----------

ETIM

ETIM 2.0	EC000441
ETIM 3.0	EC000441
ETIM 4.0	EC000441
ETIM 5.0	EC000441
ETIM 6.0	EC000441
ETIM 7.0	EC000441

UNSPSC

UNSPSC 6.01	30211808
UNSPSC 7.0901	39121408
UNSPSC 11	39121408
UNSPSC 12.01	39121408
UNSPSC 13.2	39121311
UNSPSC 18.0	39121311
UNSPSC 19.0	39121311
UNSPSC 20.0	39121311
UNSPSC 21.0	39121311