

Cable gland - HC-M-KV-Z-M32 - 1646162

Please be informed that the data shown in this PDF Document is generated from our Online Catalog. Please find the complete data in the user's documentation. Our General Terms of Use for Downloads are valid (<http://phoenixcontact.com/download>)



Metal screw connection with strain relief clamp, thread length: 8 mm, cable sealing area: 18 - 27 mm, clamping area: 19 - 30 mm, SW 40, screw connection: M32



Key Commercial Data

| | |
|--------------------------------------|---|
| Packing unit | 1 pc |
| GTIN |  4 017918 941307 |
| GTIN | 4017918941307 |
| Weight per Piece (excluding packing) | 154.540 g |
| Custom tariff number | 74199990 |
| Country of origin | Germany |

Technical data

Dimensions

| | |
|--|-----------------------|
| Length | 43 mm |
| Length without connecting thread | 35 mm |
| Connecting thread diameter | 32 mm |
| Wrench size, union nut | 42 mm |
| Wrench size, support | 40 mm |
| Hexagon angular dimension | 47 mm |
| Length of the connecting thread | 8 mm |
| External cable diameter | 18 mm ... 27 mm |
| Clamping range of the strain relief clip | 19.00 mm ... 27.00 mm |

Ambient conditions

| | |
|---------------------------|------|
| Degree of protection (IP) | IP65 |
|---------------------------|------|

Cable gland - HC-M-KV-Z-M32 - 1646162

Technical data

Ambient conditions

| | |
|---------------------------------|---------------------------|
| Ambient temperature (operation) | -20 °C ... 80 °C (static) |
|---------------------------------|---------------------------|

General

| | |
|--------------------------------|---|
| No. of conductors | 1 |
| Cable gland material | Nickel-plated brass |
| Cable seal material | Perbunan |
| O-ring material | NBR |
| Shielded | no |
| Thread type on connection side | M32 x 1.5 |
| Torque | 18 Nm (Support sleeve) 12 Nm (Union nut) |
| Color | silver |
| Manufacturer | wafi |

Standards and Regulations

| | |
|--------------|----|
| Halogen-free | no |
|--------------|----|

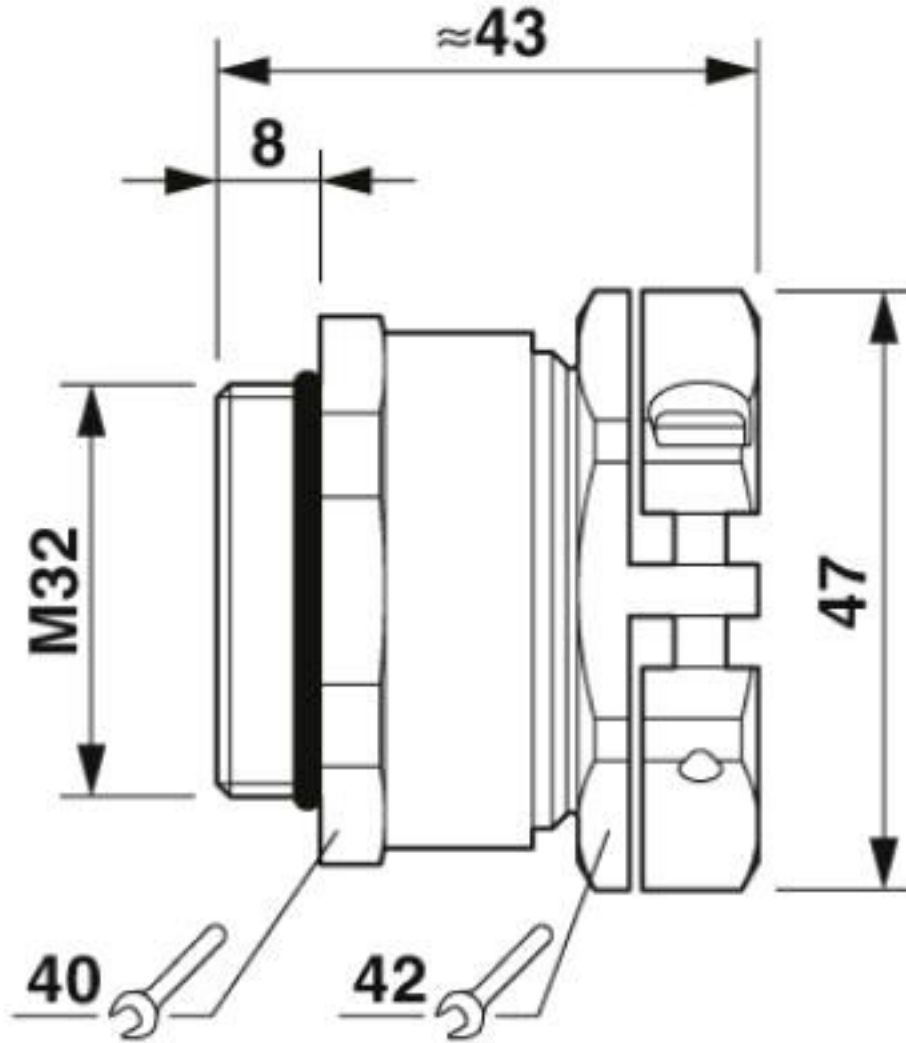
Environmental Product Compliance

| | |
|------------|---|
| REACH SVHC | Lead 7439-92-1 |
| China RoHS | Environmentally Friendly Use Period = 50 years |
| | For details about hazardous substances go to tab "Downloads", Category "Manufacturer's declaration" |

Drawings

Cable gland - HC-M-KV-Z-M32 - 1646162

Dimensional drawing



Dimensional drawing

Classifications

eCl@ss

| | |
|---------------|----------|
| eCl@ss 10.0.1 | 27144432 |
| eCl@ss 4.0 | 27141200 |
| eCl@ss 4.1 | 27141200 |
| eCl@ss 5.0 | 27149100 |
| eCl@ss 5.1 | 27149100 |

Cable gland - HC-M-KV-Z-M32 - 1646162

Classifications

eCl@ss

| | |
|------------|----------|
| eCl@ss 6.0 | 27149100 |
| eCl@ss 7.0 | 27149109 |
| eCl@ss 8.0 | 27149109 |
| eCl@ss 9.0 | 27144432 |

ETIM

| | |
|----------|----------|
| ETIM 2.0 | EC000441 |
| ETIM 3.0 | EC000441 |
| ETIM 4.0 | EC000441 |
| ETIM 5.0 | EC000441 |
| ETIM 6.0 | EC000441 |
| ETIM 7.0 | EC000441 |

UNSPSC

| | |
|---------------|----------|
| UNSPSC 6.01 | 30211808 |
| UNSPSC 7.0901 | 39121408 |
| UNSPSC 11 | 39121408 |
| UNSPSC 12.01 | 39121408 |
| UNSPSC 13.2 | 39121311 |
| UNSPSC 18.0 | 39121311 |
| UNSPSC 19.0 | 39121311 |
| UNSPSC 20.0 | 39121311 |
| UNSPSC 21.0 | 39121311 |