

Protective covers - HC-B 24-SD-FLU/FS-AL - 1644601

Please be informed that the data shown in this PDF Document is generated from our Online Catalog. Please find the complete data in the user's documentation. Our General Terms of Use for Downloads are valid (<http://phoenixcontact.com/download>)



Protective cover B24, for single locking latch, protective cover material: Al, height: 16 mm, seal: no, With lanyard, diameter of retaining cord eyelet: 30 mm



COMPLETE

Key Commercial Data

Packing unit	1 pc
GTIN	 4 017918 904920
GTIN	4017918904920
Weight per Piece (excluding packing)	95.530 g
Custom tariff number	85389099
Country of origin	Germany

Technical data

Dimensions

Length	120 mm
Width	43 mm
Height	16 mm
Diameter of retaining cord eyelet	30 mm

Ambient conditions

Degree of protection (IP)	IP66
Ambient temperature (operation)	-40 °C ... 125 °C

General

Size	B24
Type	For supporting base element with single locking latch

Protective covers - HC-B 24-SD-FLU/FS-AL - 1644601

Technical data

General

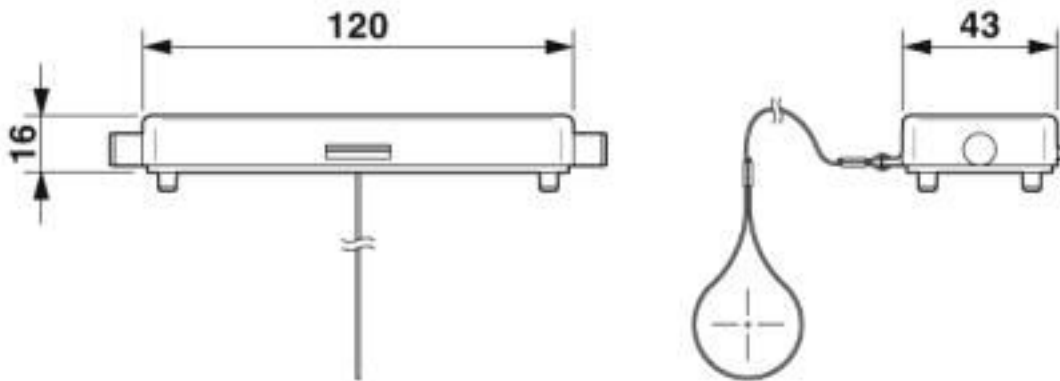
Material	Aluminum, die-cast
Color	gray
Seal present	no
Connection	The guide pins of the protective cover must be removed when using coding sockets, pins, and bolts.

Environmental Product Compliance

China RoHS	Environmentally friendly use period: unlimited = EFUP-e
	No hazardous substances above threshold values

Drawings

Dimensional drawing



Dimensional drawing

Classifications

eCl@ss

eCl@ss 10.0.1	27440208
eCl@ss 4.0	27141200
eCl@ss 4.1	27141200
eCl@ss 5.0	27149100
eCl@ss 5.1	27149100
eCl@ss 6.0	27261200
eCl@ss 7.0	27440208
eCl@ss 8.0	27440208
eCl@ss 9.0	27440208

Protective covers - HC-B 24-SD-FLU/FS-AL - 1644601

Classifications

ETIM

ETIM 2.0	EC000241
ETIM 3.0	EC002040
ETIM 4.0	EC002314
ETIM 5.0	EC002314
ETIM 6.0	EC002314
ETIM 7.0	EC002314

UNSPSC

UNSPSC 6.01	30212113
UNSPSC 7.0901	39121712
UNSPSC 11	39121712
UNSPSC 12.01	39121712
UNSPSC 13.2	39121421
UNSPSC 18.0	39121421
UNSPSC 19.0	39121421
UNSPSC 20.0	39121421
UNSPSC 21.0	39121421

Approvals


Approvals

Approvals

EAC

Ex Approvals

Approval details

EAC		RU C- DE.AI30.B.01102
-----	---	--------------------------