

Device connector, rear mounting - CA-19S1NP2HZ00 - 1628090

Please be informed that the data shown in this PDF Document is generated from our Online Catalog. Please find the complete data in the user's documentation. Our General Terms of Use for Downloads are valid (<http://phoenixcontact.com/download>)



Device connector for rear wall, CA, straight, shielded: yes, for standard and SPEEDCON interlock, M23, No. of pos.: 16+3, type of contact: Socket, Solder-in connection, Axial seal, Central fixing

The figure shows the 12-pos. product version

Your advantages

- ✓ Safe use in the field, thanks to high degree of protection
- ✓ Connector for flexible on-site assembly
- ✓ Consistent EMC protection for reliable transmission of signals
- ✓ Solder connection: proven connection technology for various litz wires
- ✓ Application-specific wall mounting optionally with thread or anti-rotation protection and lock nut

Key Commercial Data

| | |
|----------------------|---------------|
| Packing unit | 1 |
| GTIN | |
| GTIN | 4055626381909 |
| Custom tariff number | 85366990 |

Technical data

Dimensions

| | |
|------------------------|---------|
| free solder pin length | 3.55 mm |
|------------------------|---------|

Data of the insulating body

| | |
|--------------------|--------|
| Coding | N |
| Insulator material | PA 6.6 |
| Contact material | CuZn |

Device connector, rear mounting - CA-19S1NP2HZ00 - 1628090

Technical data

Data of the insulating body

| | |
|---|----------------------|
| Contact surface material | Ni/Au |
| Contact connection method | Solder-in connection |
| Type of contacts | Socket |
| Application | Signal |
| Number of positions | 19 |
| Direction of rotation | Standard |
| Contact diameter of power contacts | 1.5 mm |
| Litz wire cross section of power contacts min. | 0.08 mm ² |
| Litz wire cross section of power contacts max. | 1 mm ² |
| Rated current for power contacts | 10 A |
| Rated voltage of power contact | 150 V |
| Rated surge voltage | 1.5 kV |
| Overvoltage category | II |
| Degree of pollution | 3 |
| Contact diameter of signal contacts | 1 mm |
| Litz wire cross section of signal contacts min. | 0.08 mm ² |
| Litz wire cross section of signal contacts max. | 1 mm ² |
| Nominal current per signal contact | 8 A |
| Rated voltage of signal contact | 150 V |
| Overvoltage category | II |
| Degree of pollution | 3 |

Housing data

| | |
|--|--|
| Housing material | Turned parts: copper zinc alloy (CuZn), die-cast parts: zinc (GD-Zn) |
| Type of locking | for standard and SPEEDCON interlock |
| Degree of protection (when plugged in) | IP67 |
| Thread type | M23 |

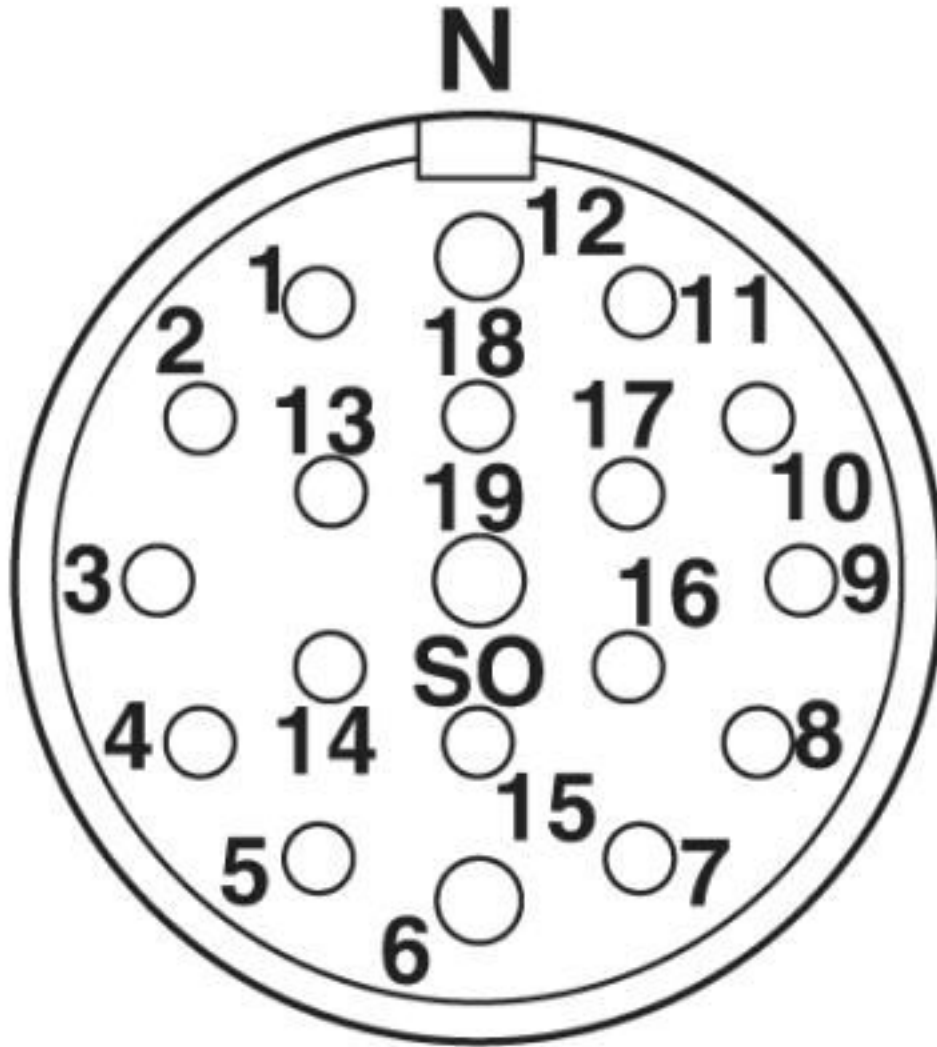
Environmental Product Compliance

| | |
|------------|---|
| REACH SVHC | Lead 7439-92-1 |
| China RoHS | Environmentally Friendly Use Period = 50 years |
| | For details about hazardous substances go to tab "Downloads", Category "Manufacturer's declaration" |

Drawings

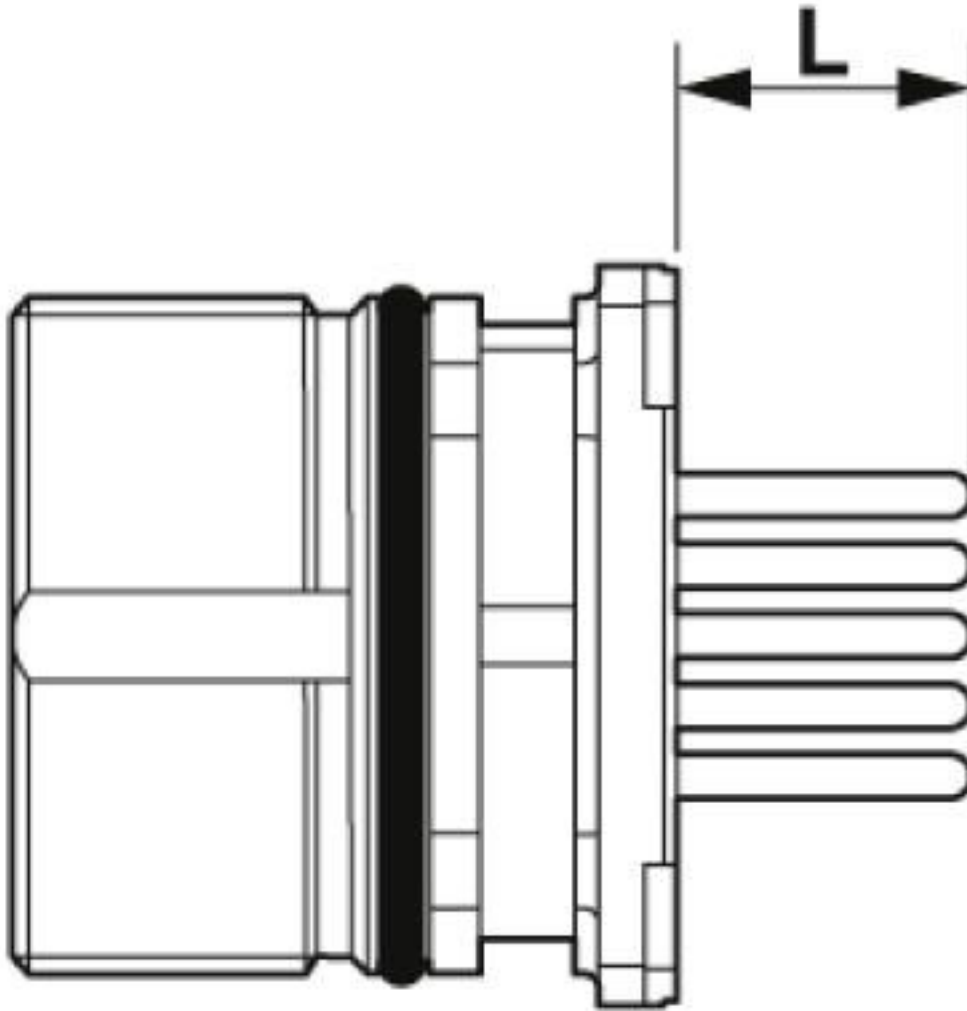
Device connector, rear mounting - CA-19S1NP2HZ00 - 1628090

Schematic diagram



Device connector, rear mounting - CA-19S1NP2HZ00 - 1628090

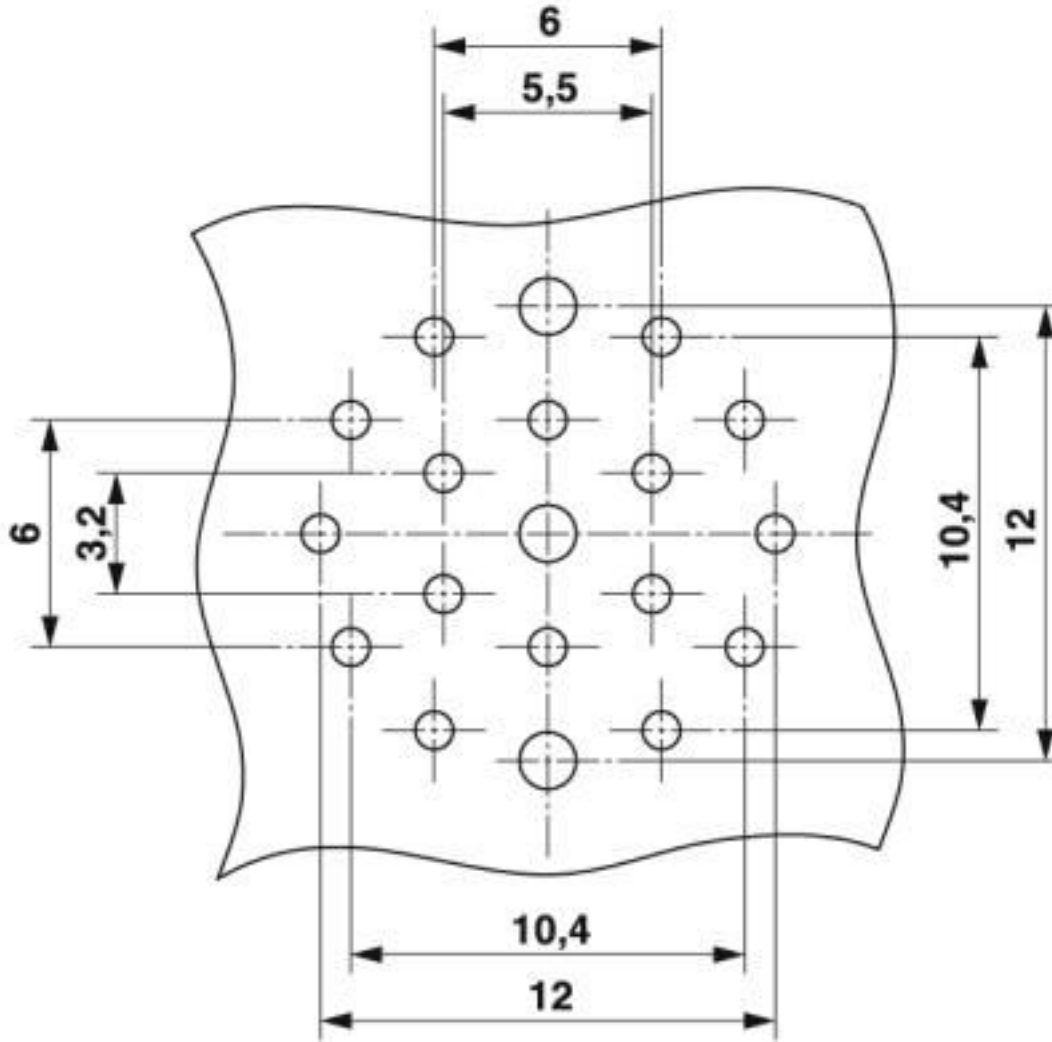
Dimensional drawing



free solder pin length $L=3,5$ mm

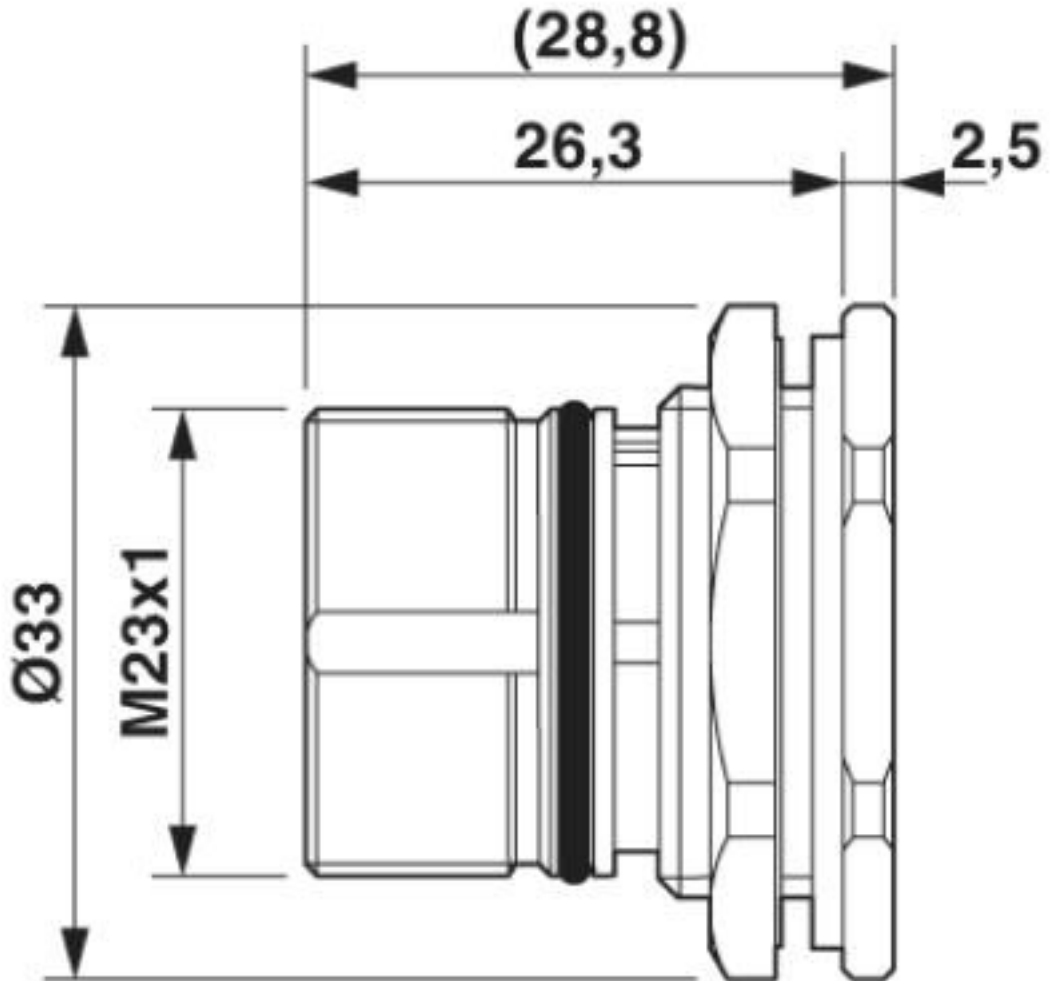
Device connector, rear mounting - CA-19S1NP2HZ00 - 1628090

Drilling diagram



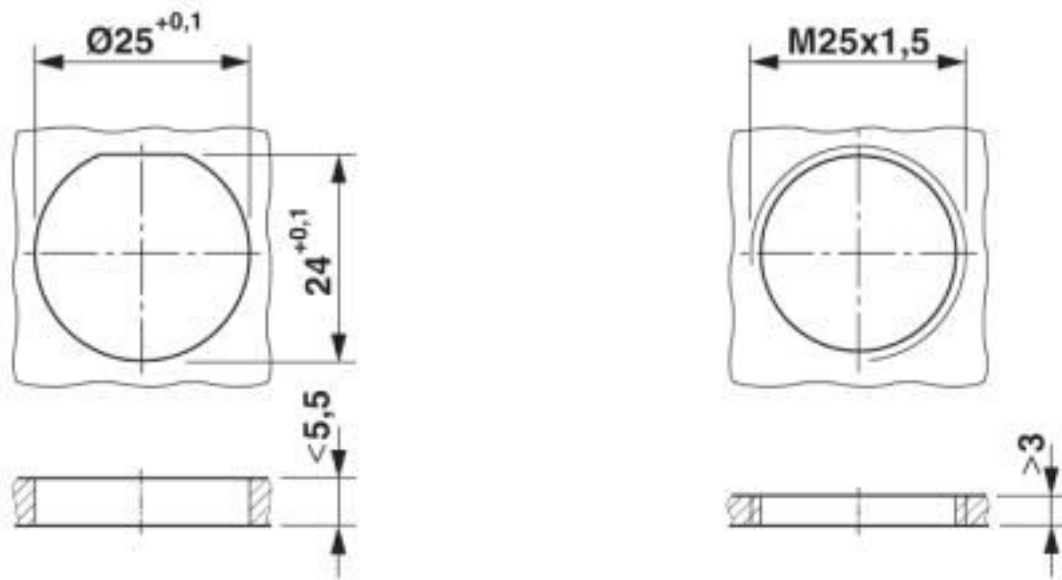
Device connector, rear mounting - CA-19S1NP2HZ00 - 1628090

Dimensional drawing



Device connector, rear mounting - CA-19S1NP2HZ00 - 1628090

Dimensional drawing



Installation dimensions

Classifications

eCl@ss

| | |
|---------------|----------|
| eCl@ss 10.0.1 | 27440109 |
| eCl@ss 8.0 | 27440102 |
| eCl@ss 9.0 | 27440103 |

ETIM

| | |
|----------|----------|
| ETIM 5.0 | EC002635 |
| ETIM 6.0 | EC002061 |

Approvals

Approvals

Approvals

EAC

Ex Approvals

Device connector, rear mounting - CA-19S1NP2HZ00 - 1628090

Approvals

Approval details

| | | |
|-----|--|---------|
| EAC | | B.01687 |
|-----|--|---------|

Accessories

Accessories

Mounting material

Color-coding - CA-Z0120 - 1620704



Color-coding, color: green

Color-coding - CA-Z0121 - 1620705



Color-coding, color: orange

Color-coding - CA-Z0122 - 1620706



Color-coding, color: black

Contact removal tool - CA-Z0001 - 1620699



Unlocking tool for contact carriers for snapping in the M23 signal device connectors

Device connector, rear mounting - CA-19S1NP2HZ00 - 1628090

Accessories

Protective cover

Protective cap - SF-Z0019 - 1607449



Plastic protection cap, with eye, IP40 for connectors with M23 external thread, RF, SF series

Protective cap - RC-Z2059 - 1604225



Plastic protection cap for connectors with M23 external thread

Plastic anti-static dust protection cap - RC-Z2469 - 1611797



Plastic protection cap, antistatic, for RF, SF, CA, RC series connectors, with M23 external thread

Metal protective cap - RC-Z2104 - 1604260



Metal protection cap for signal connectors with M23 external thread

Metal protective cap - RC-Z2068 - 1604236



Metal protection cap with steel wire for signal connectors with M23 external thread
