

Protective covers - EV-T2SC - 1627780

Please be informed that the data shown in this PDF Document is generated from our Online Catalog. Please find the complete data in the user's documentation. Our General Terms of Use for Downloads are valid (<http://phoenixcontact.com/download>)



Protective covers, Self-closing, Rear protective cover screw connection, For attaching to infrastructure charging sockets, Type 2, IEC 62196-2, Front mounting, M5 thread, Generation 1, Embossed PHOENIX CONTACT logo, Special packaging quantity


Product Description

Self-closing protective cover for infrastructure socket outlet

Your advantages

- ✓ Certified in accordance with IATF 16949:2016 and ISO 9001:2015
- ✓ Individual branding, thanks to the use your own logo
- ✓ Reliable protection of your socket outlet from weather and vandalism

Key Commercial Data

Packing unit	1
GTIN	 4 055626 355245
GTIN	4055626355245
Custom tariff number	39269097

Technical data

Product definition

Type	Self-closing
	Rear protective cover screw connection
Application	For attaching to infrastructure charging sockets
Affixed logo	Embossed PHOENIX CONTACT logo
Design	Generation 1
Standards/regulations	IEC 62196-2
Charging standard	Type 2

Protective covers - EV-T2SC - 1627780

Technical data

Product definition

Charging mode	Mode 3, Case B
Note	Special packaging quantity
Special packaging quantity	10 Quantity

Dimensions

Height	93.7 mm
Width	85 mm
Depth	32.5 mm
Bore dimensions	60 mm x 60 mm

Ambient conditions

Ambient temperature (operation)	-30 °C ... 50 °C
Ambient temperature (storage/transport)	-40 °C ... 80 °C
Degree of protection	IP54
Degree of protection (IK)	IK08

Mounting

Possible mounting positions	Front mounting
	Rear screw connection
Required mounting screws	M5 thread

Design

Design line	Generation 1
Housing color	black
Customer variations	On request

Material

Material	Plastic
----------	---------

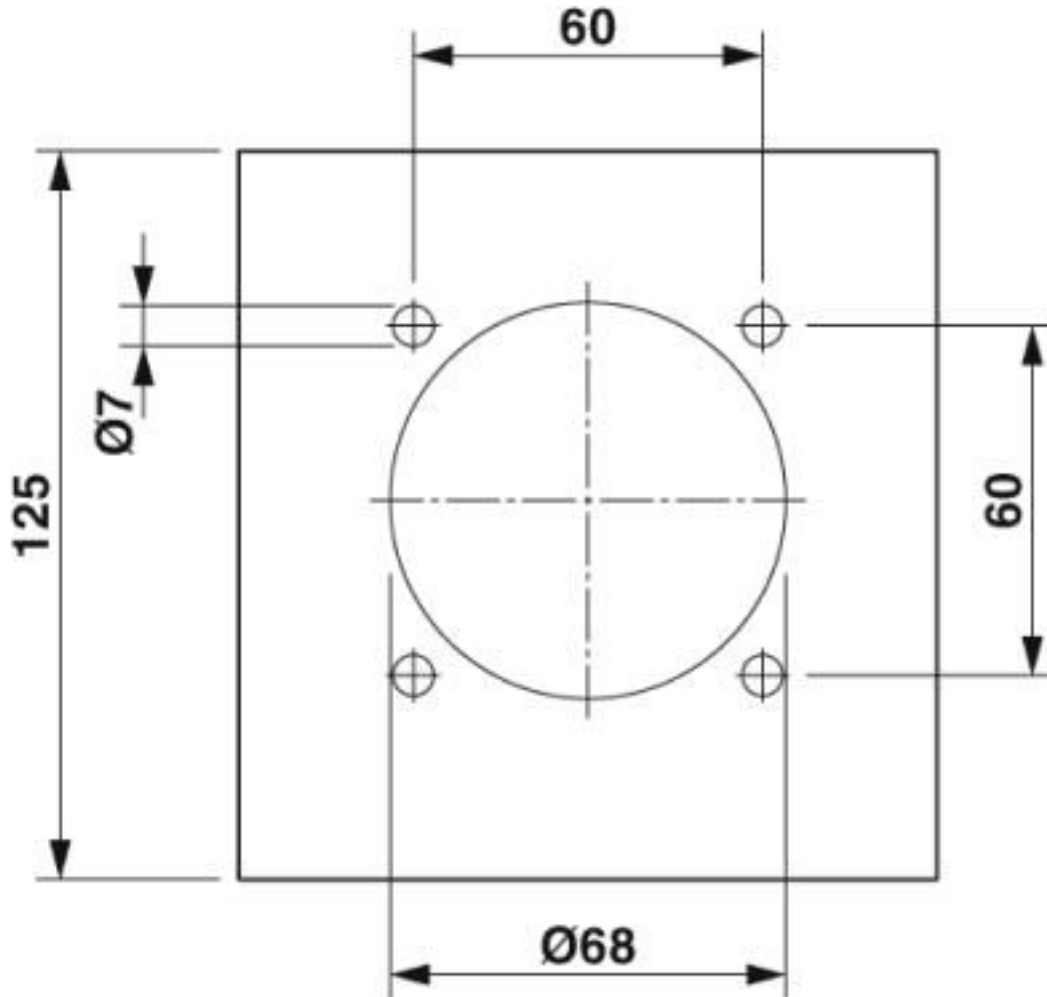
Environmental Product Compliance

REACH SVHC	Lead 7439-92-1
China RoHS	Environmentally friendly use period: unlimited = EFUP-e
	No hazardous substances above threshold values

Drawings

Protective covers - EV-T2SC - 1627780

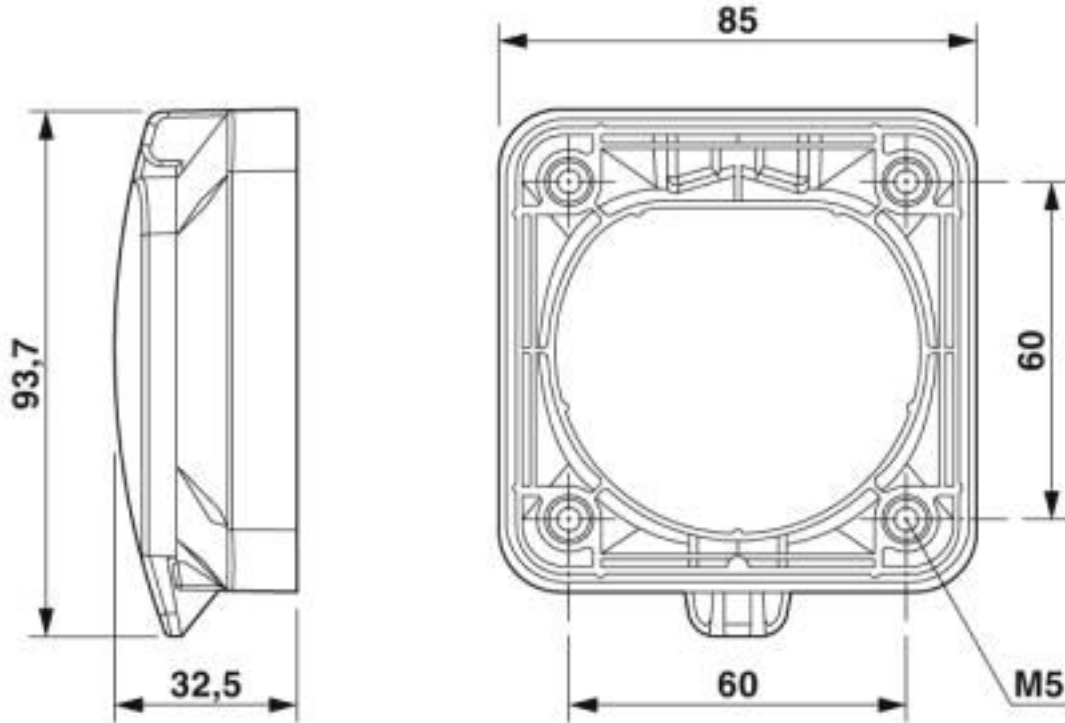
Dimensional drawing



Hole image

Protective covers - EV-T2SC - 1627780

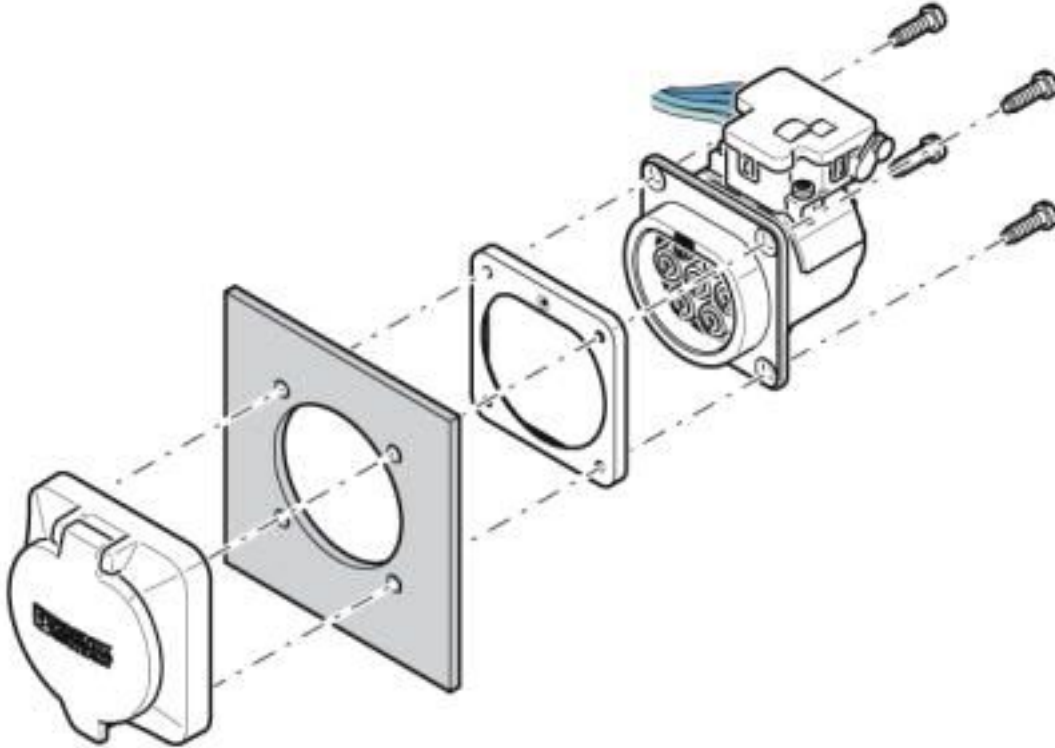
Dimensional drawing



Dimensional drawing

Protective covers - EV-T2SC - 1627780

Schematic diagram

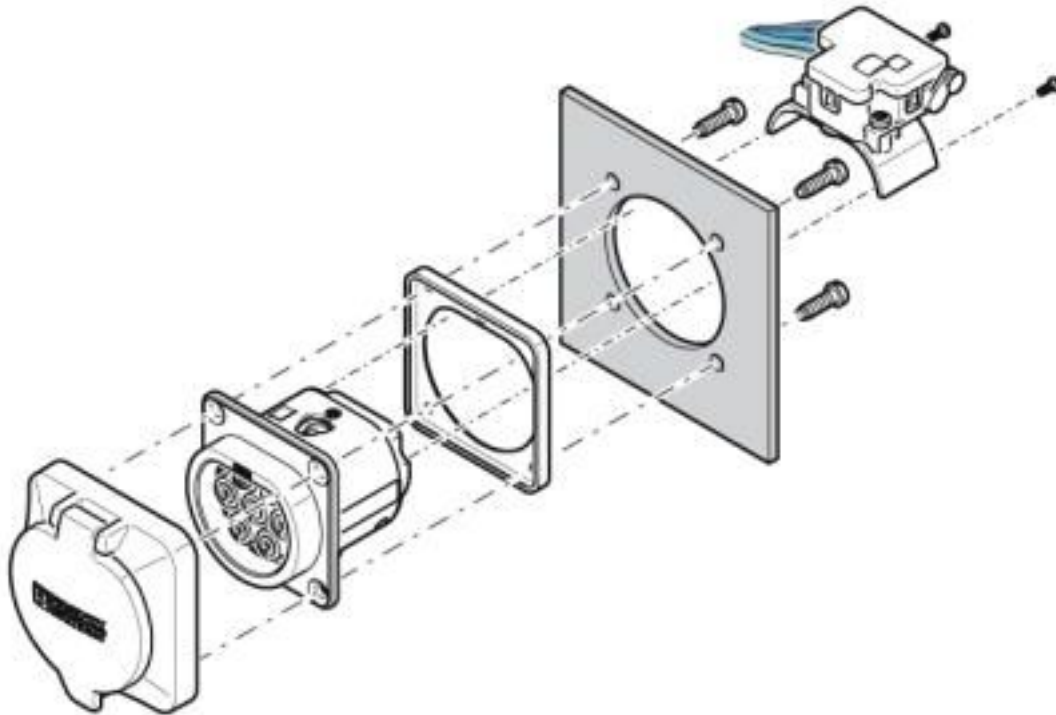


Rear mounting with rear protective cover screw connection

The screw connection for a protective cover from the accessories range (EV-T2SC) only supports rear mounting. The panel thickness must not exceed 5 mm. The sealing frame that is slid on from the rear must contact the housing panel flush with the flat side and must completely surround the infrastructure socket outlet.

Protective covers - EV-T2SC - 1627780

Schematic diagram



Front mounting with rear protective cover screw connection

Front mounting is only possible when the locking actuator is removed. We recommend using an infrastructure socket outlet without pre-assembled locking actuator (EV-T2M3SE-...E0..., e.g., 1621729).

The screw connection for a protective cover from the accessories range (EV-T2SC) only supports rear mounting. The panel thickness must not exceed 10 mm. The sealing frame that is slid on from the front must contact the housing panel flush with the flat side and must completely surround the infrastructure socket outlet.

Classifications

eCl@ss

eCl@ss 10.0.1	27144792
eCl@ss 4.0	272607xx
eCl@ss 4.1	27260701
eCl@ss 5.0	27260701
eCl@ss 5.1	27059110
eCl@ss 6.0	27261200
eCl@ss 7.0	27440208
eCl@ss 8.0	27440208
eCl@ss 9.0	27144792

Protective covers - EV-T2SC - 1627780

Classifications

ETIM

ETIM 2.0	EC000241
ETIM 3.0	EC002061
ETIM 4.0	EC002061
ETIM 5.0	EC002314
ETIM 6.0	EC002884
ETIM 7.0	EC002884

UNSPSC

UNSPSC 6.01	30211923
UNSPSC 7.0901	39121522
UNSPSC 11	39121522
UNSPSC 12.01	39121522
UNSPSC 13.2	39121522
UNSPSC 18.0	39121522
UNSPSC 19.0	39121522
UNSPSC 20.0	39121522
UNSPSC 21.0	39121522

Accessories

Accessories

Infrastructure socket outlet

Socket Outlet - EV-T2M3SE12-3AC32A-0,7M6,0E10 - 1405214



Socket Outlet, Rear protective cover screw connection, For charging electric vehicles (EV) with alternating current (AC), Compatible with infrastructure charging plugs, Type 2, IEC 62196-2, 32 A / 480 V (AC), Single wires, length: 0.7 m, Locking actuator: 12 V, 4-position, Rear panel mounting, Generation 1, "PHOENIX CONTACT" logo

Socket Outlet - EV-T2M3SE24-3AC32A-0,7M6,0E10 - 1405216



Socket Outlet, Rear protective cover screw connection, For charging electric vehicles (EV) with alternating current (AC), Compatible with infrastructure charging plugs, Type 2, IEC 62196-2, 32 A / 480 V (AC), Single wires, length: 0.7 m, Locking actuator: 24 V, 4-position, Rear panel mounting, Generation 1, "PHOENIX CONTACT" logo

