

Device connector, rear mounting - RC-12S1NR0E000 - 1627533


Please be informed that the data shown in this PDF Document is generated from our Online Catalog. Please find the complete data in the user's documentation. Our General Terms of Use for Downloads are valid (<http://phoenixcontact.com/download>)



Device connector for rear wall, RC, straight, shielded: yes, Screw locking, M23, Radial O-ring, 4xM3, Panel thickness min.: 3 mm, Panel thickness max.: 10.5 mm

The figure shows the 17-pos. product version

Key Commercial Data

Packing unit	1
GTIN	 4 046356 709002
GTIN	4046356709002
Custom tariff number	85366990

Technical data

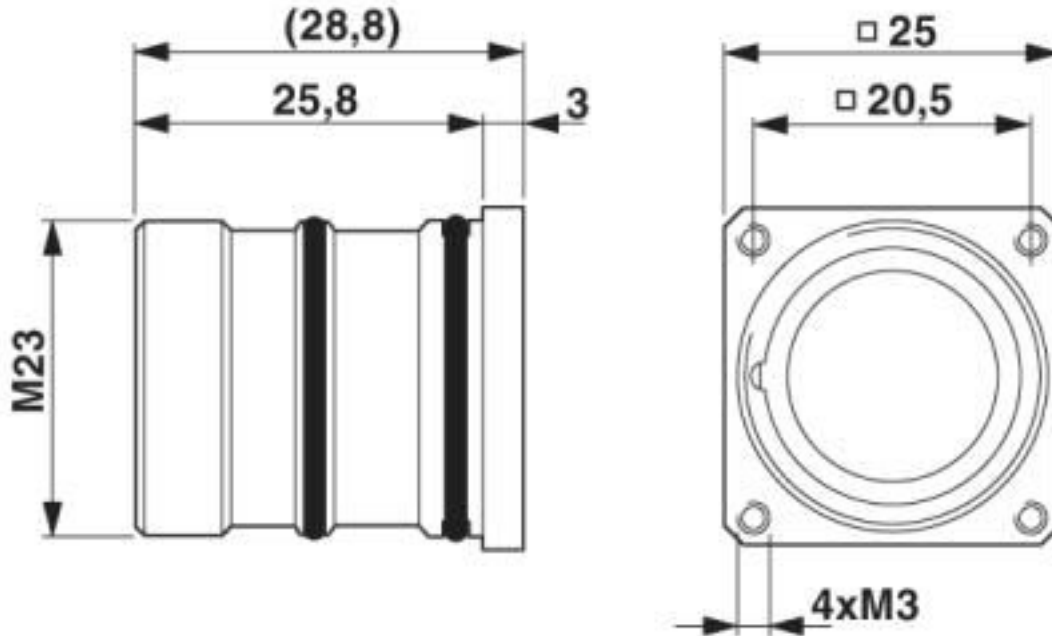
Environmental Product Compliance

REACH SVHC	Lead 7439-92-1
China RoHS	Environmentally Friendly Use Period = 50 years
	For details about hazardous substances go to tab "Downloads", Category "Manufacturer's declaration"

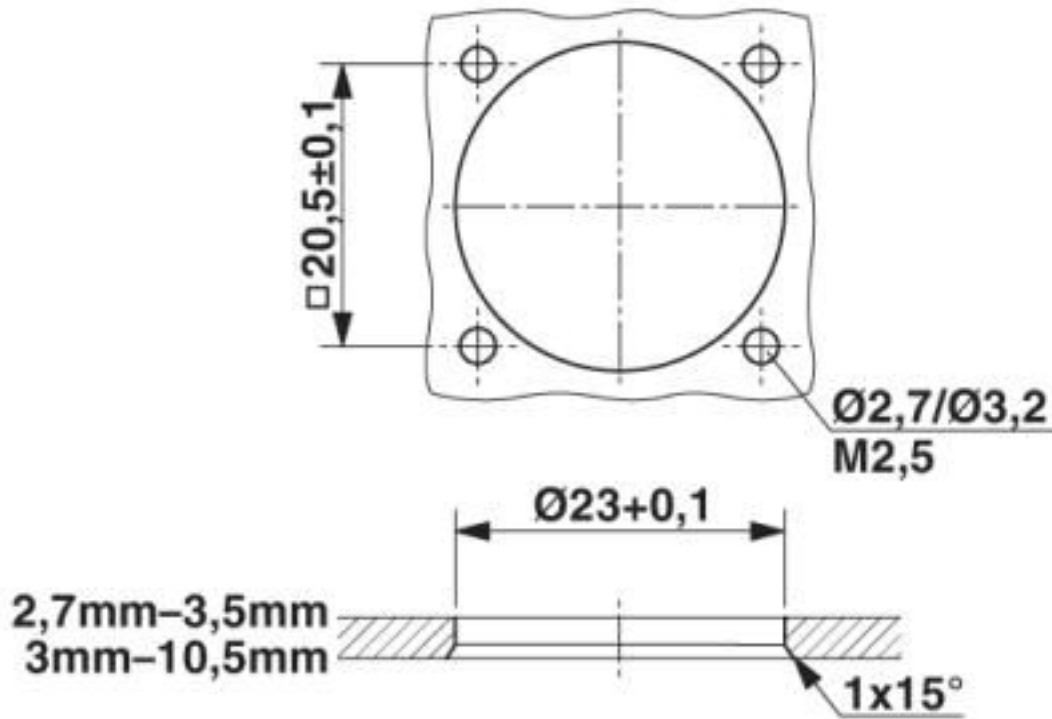
Drawings

Device connector, rear mounting - RC-12S1NR0E000 - 1627533

Dimensional drawing



Dimensional drawing



Device connector, rear mounting - RC-12S1NR0E000 - 1627533

Classifications

eCl@ss

eCl@ss 10.0.1	27440109
eCl@ss 4.0	27378000
eCl@ss 4.1	27378000
eCl@ss 5.0	27379100
eCl@ss 5.1	27379100
eCl@ss 6.0	27379200
eCl@ss 7.0	27379201
eCl@ss 8.0	27379201
eCl@ss 9.0	27440103

ETIM

ETIM 3.0	EC000437
ETIM 4.0	EC002498
ETIM 5.0	EC002498
ETIM 6.0	EC000761
ETIM 7.0	EC000761

UNSPSC

UNSPSC 6.01	31261502
UNSPSC 7.0901	31261502
UNSPSC 11	31261502
UNSPSC 12.01	31261502
UNSPSC 13.2	39131505
UNSPSC 18.0	39131505
UNSPSC 19.0	39131505
UNSPSC 20.0	39131505
UNSPSC 21.0	39131505

Approvals

Approvals

Approvals

EAC

Ex Approvals

Device connector, rear mounting - RC-12S1NR0E000 - 1627533

Approvals

Approval details

EAC		B.01687
-----	---	---------