

Device connector, rear mounting - RC-12P1NR0E000 - 1627057

Please be informed that the data shown in this PDF Document is generated from our Online Catalog. Please find the complete data in the user's documentation. Our General Terms of Use for Downloads are valid (<http://phoenixcontact.com/download>)




Device connector for rear wall, RC, straight, shielded: yes, Screw locking, M23, Radial O-ring, 4xM3, Panel thickness min.: 3 mm, Panel thickness max.: 10.5 mm

The figure shows the 17-pos. product version

RoHS

Key Commercial Data

Packing unit	1
GTIN	 4 046356 705509
GTIN	4046356705509
Custom tariff number	85366990

Technical data

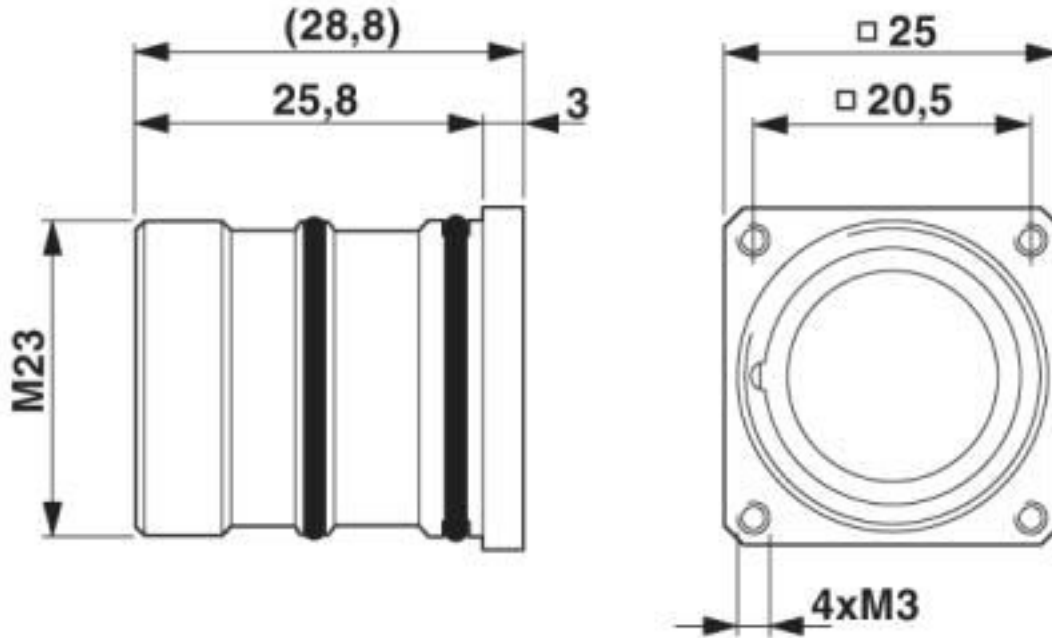
Environmental Product Compliance

REACH SVHC	Lead 7439-92-1
China RoHS	Environmentally Friendly Use Period = 50 years
	For details about hazardous substances go to tab "Downloads", Category "Manufacturer's declaration"

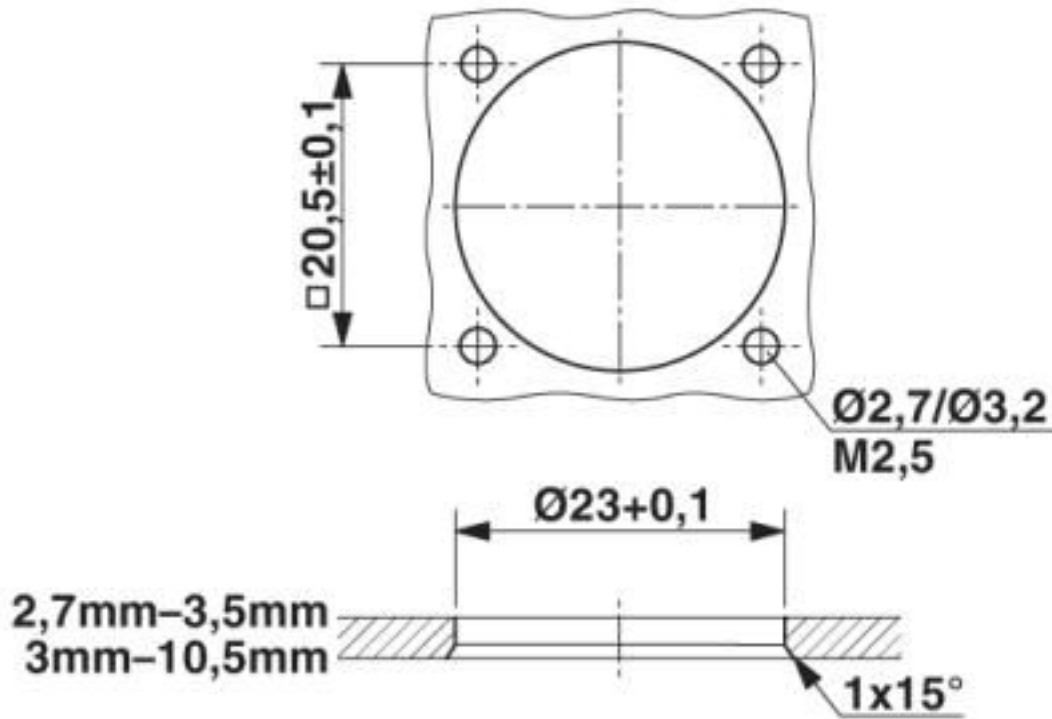
Drawings

Device connector, rear mounting - RC-12P1NR0E000 - 1627057

Dimensional drawing



Dimensional drawing



Device connector, rear mounting - RC-12P1NR0E000 - 1627057

Classifications

eCl@ss

eCl@ss 10.0.1	27141137
eCl@ss 4.0	27378000
eCl@ss 4.1	27378000
eCl@ss 5.0	27379100
eCl@ss 5.1	27379100
eCl@ss 6.0	27379200
eCl@ss 7.0	27379201
eCl@ss 8.0	27379201
eCl@ss 9.0	27141137

ETIM

ETIM 3.0	EC001121
ETIM 4.0	EC002498
ETIM 5.0	EC002498
ETIM 6.0	EC000761
ETIM 7.0	EC000761

UNSPSC

UNSPSC 6.01	43172015
UNSPSC 7.0901	43201404
UNSPSC 11	43172015
UNSPSC 12.01	43201404
UNSPSC 13.2	39131505
UNSPSC 18.0	39131505
UNSPSC 19.0	39131505
UNSPSC 20.0	39131505
UNSPSC 21.0	39131505

Approvals

Approvals

Approvals


EAC

Ex Approvals

Device connector, rear mounting - RC-12P1NR0E000 - 1627057

Approvals

Approval details

EAC		B.01687
-----	---	---------