

Cable connector - RC-06P1N1280DU - 1625004


Please be informed that the data shown in this PDF Document is generated from our Online Catalog. Please find the complete data in the user's documentation. Our General Terms of Use for Downloads are valid (<http://phoenixcontact.com/download>)



Cable connector, RC, straight, shielded: yes, Screw locking, M23, No. of pos.: 6, type of contact: Pin, Solder connection, cable diameter range: 4.5 mm ... 5.5 mm

The figure shows the 12-pos. product version

Key Commercial Data

Packing unit	1
GTIN	 4 055626 127194
GTIN	4055626127194
Custom tariff number	85366990

Technical data

Data of the insulating body

Coding	N
Insertion/withdrawal cycles mechanical	50
Contact connection method	Solder connection
Type of contacts	Pin
Application	Signal
Number of positions	6
Direction of rotation	Standard
Litz wire cross section of power contacts min.	0.08 mm ²
Litz wire cross section of power contacts max.	2.5 mm ²
Rated current for power contacts	20 A
Rated voltage of power contact	300 V
Rated surge voltage	2.5 kV

Cable connector - RC-06P1N1280DU - 1625004

Technical data

Data of the insulating body

Overvoltage category	II
Degree of pollution	3

Housing data

Housing material	Metal
Type of locking	Screw locking
Degree of protection (when plugged in)	IP67
Thread type	M23

Cable seal data

Cable diameter	4.5 mm ... 5.5 mm
Sealing material	NBR

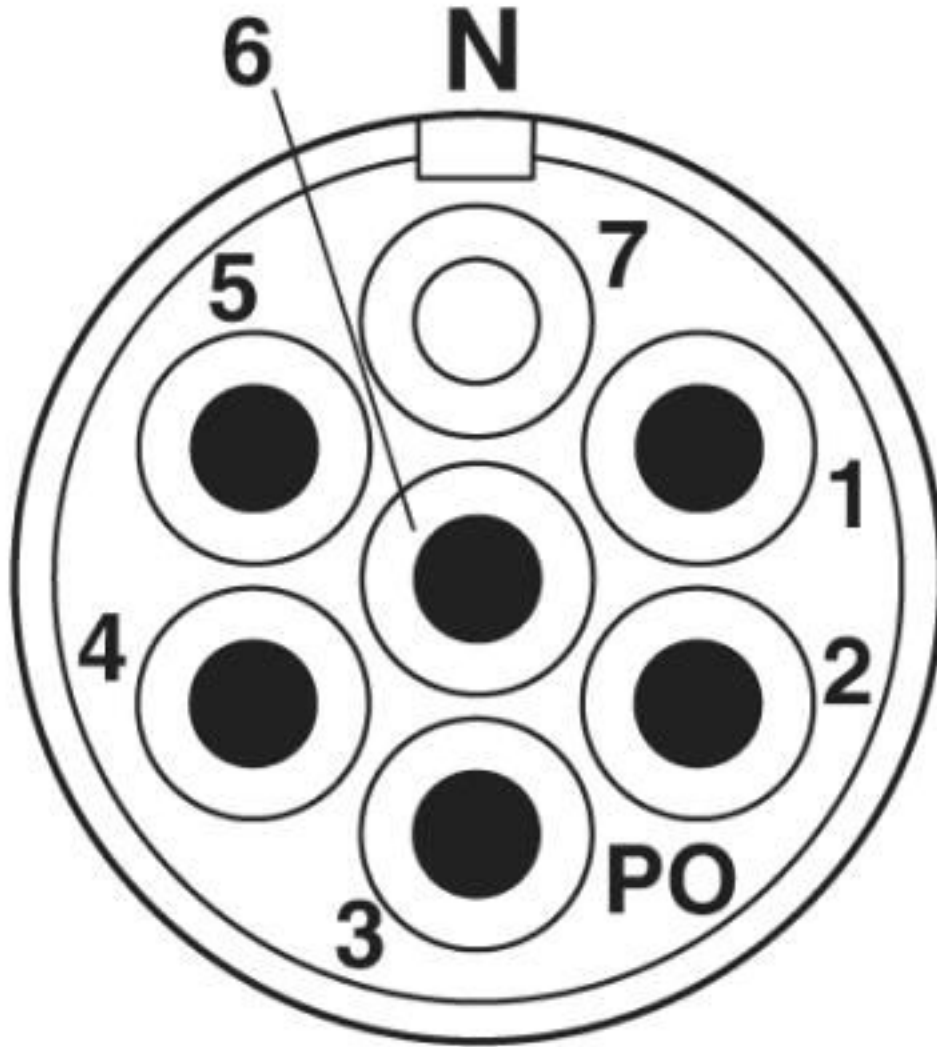
Environmental Product Compliance

REACH SVHC	Lead 7439-92-1
China RoHS	Environmentally Friendly Use Period = 50 years
	For details about hazardous substances go to tab "Downloads", Category "Manufacturer's declaration"

Drawings

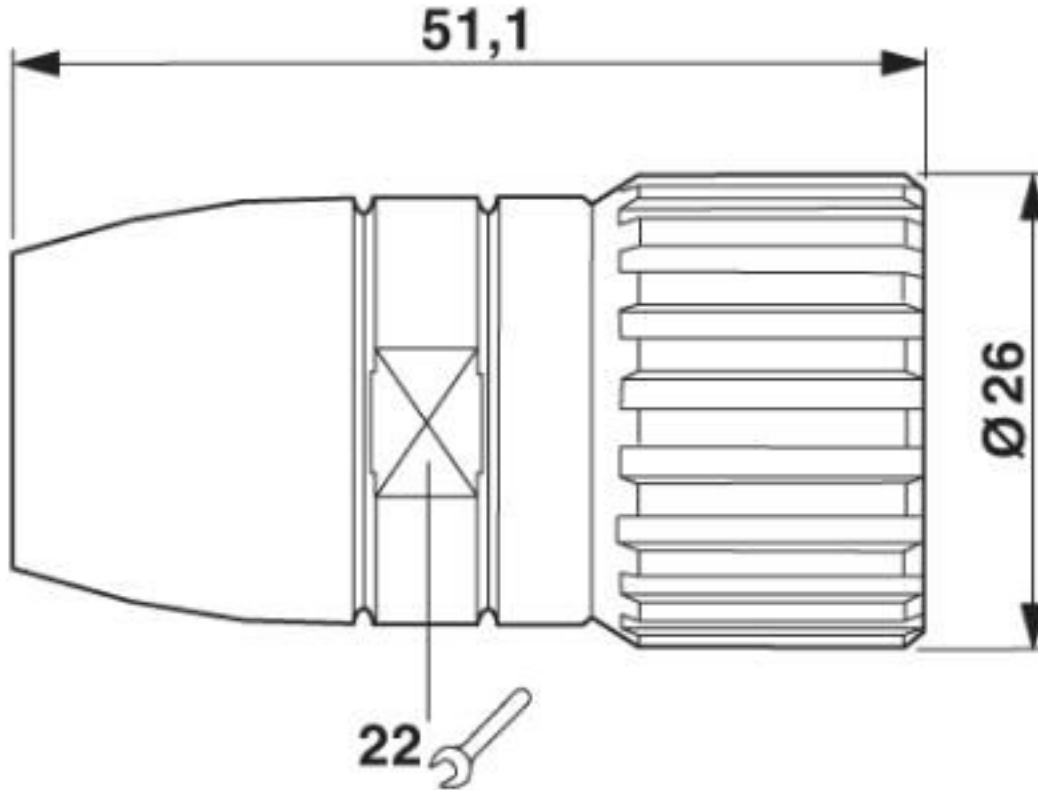
Cable connector - RC-06P1N1280DU - 1625004

Schematic diagram



Cable connector - RC-06P1N1280DU - 1625004

Dimensional drawing



Classifications

eCl@ss

eCl@ss 10.0.1	27440102
eCl@ss 8.0	27440102
eCl@ss 9.0	27440102

ETIM

ETIM 5.0	EC002635
ETIM 6.0	EC002061

UNSPSC

UNSPSC 13.2	39121413
UNSPSC 18.0	39121413
UNSPSC 19.0	39121413
UNSPSC 20.0	39121413
UNSPSC 21.0	39121413

Cable connector - RC-06P1N1280DU - 1625004

Approvals


Approvals

Approvals

EAC

Ex Approvals

Approval details

EAC		B.01687
-----	---	---------
