

## Crimp contact - RC-15P2000 - 1623779

Please be informed that the data shown in this PDF Document is generated from our Online Catalog. Please find the complete data in the user's documentation. Our General Terms of Use for Downloads are valid (<http://phoenixcontact.com/download>)



Crimp contact, turned, contact diameter: 1.5 mm, crimp range: 0.5 mm<sup>2</sup> ... 1 mm<sup>2</sup>


The figure may differ depending on the connection area

### Your advantages

- Crimping connection: vibration- and temperature-resistant assembly
- High tensile strength of the connection
- Low contact resistance
- Easy production monitoring



### Key Commercial Data

Packing unit	1 pc
Minimum order quantity	100 pc
GTIN	 4 055626 190280
GTIN	4055626190280
Weight per Piece (excluding packing)	0.400 g
Custom tariff number	85369010
Country of origin	Germany

### Technical data

#### General

Contact type	turned
Contact diameter	1.5 mm
Type of contact	Pin
Connection method	Crimp connection

# Crimp contact - RC-15P2000 - 1623779

## Technical data

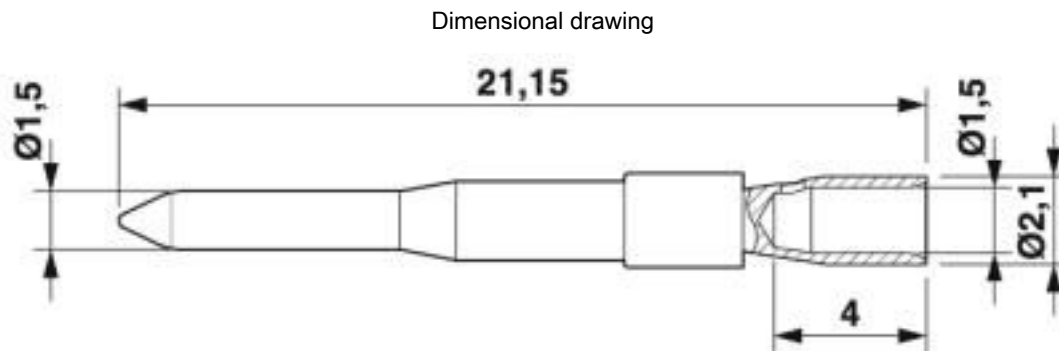
### General

Insertion/withdrawal cycles mechanical	100
Litz wire cross section min.	0.5 mm <sup>2</sup>
Litz wire cross section max.	1 mm <sup>2</sup>
Contact material	CuZn

### Environmental Product Compliance

REACH SVHC	Lead 7439-92-1
China RoHS	Environmentally friendly use period: unlimited = EFUP-e
	No hazardous substances above threshold values

## Drawings



## Classifications

### eCl@ss

eCl@ss 10.0.1	27440204
eCl@ss 4.0	272607xx
eCl@ss 4.1	27260701
eCl@ss 5.0	27260701
eCl@ss 5.1	27261200
eCl@ss 6.0	27261200
eCl@ss 7.0	27440204
eCl@ss 8.0	27440204
eCl@ss 9.0	27440204

### ETIM

ETIM 5.0	EC000796
ETIM 6.0	EC000796

# Crimp contact - RC-15P2000 - 1623779

## Classifications

### ETIM

ETIM 7.0	EC000796
----------	----------

### UNSPSC

UNSPSC 13.2	39121522
UNSPSC 18.0	39121522
UNSPSC 19.0	39121522
UNSPSC 20.0	39121522
UNSPSC 21.0	39121522

## Accessories

### Accessories

#### Crimping tool

Crimping pliers - RC-Z2504 - 1613822



Crimping pliers for turned RC crimp contacts, diameter 1 mm / diameter 1.5 mm / diameter 2 mm for a litz wire cross section of 0.14 mm<sup>2</sup> ... 2.5 mm<sup>2</sup>

Crimp locator - RC-Z2540 - 1624504



Locator for RC-Z2514 and RC-Z2504 crimping pliers, for crimping turned RC contacts, diameter of 1.0 mm and 1.5 mm

## Mounting material

Contact insertion and removal tool - RC-Z2274 - 1604409



Positioning and unlocking tool for RC crimp contacts for pin/socket with metal clip, diameter 1.0 ... 1.5 mm

## Crimp contact - RC-15P2000 - 1623779

### Accessories

Crimping pliers with digital display - RC-Z2514 - 1614590



Crimping pliers for turned RC crimp contacts  $\varnothing$  1 mm /  $\varnothing$  1.5 mm /  $\varnothing$  2 mm, litz wire cross section of 0.08 mm<sup>2</sup> ... 2.5 mm<sup>2</sup>