

Crimp contact - SB-10KP004 - 1623613

Please be informed that the data shown in this PDF Document is generated from our Online Catalog. Please find the complete data in the user's documentation. Our General Terms of Use for Downloads are valid (<http://phoenixcontact.com/download>)



Crimp contact, turned, Single contact, contact diameter: 1 mm, crimp range: 1 mm² ... 1.5 mm²


The figure may differ depending on the connection area

Your advantages

- Crimping connection: vibration- and temperature-resistant assembly
- High tensile strength of the connection
- Low contact resistance
- Easy production monitoring



Key Commercial Data

Packing unit	1 pc
Minimum order quantity	100 pc
GTIN	 4 055626 195209
GTIN	4055626195209
Weight per Piece (excluding packing)	0.600 g
Custom tariff number	85366990
Country of origin	Germany

Technical data

General

Contact type	turned
Contact diameter	1 mm
Type of contact	Pin
Connection method	Crimp connection

Crimp contact - SB-10KP004 - 1623613

Technical data

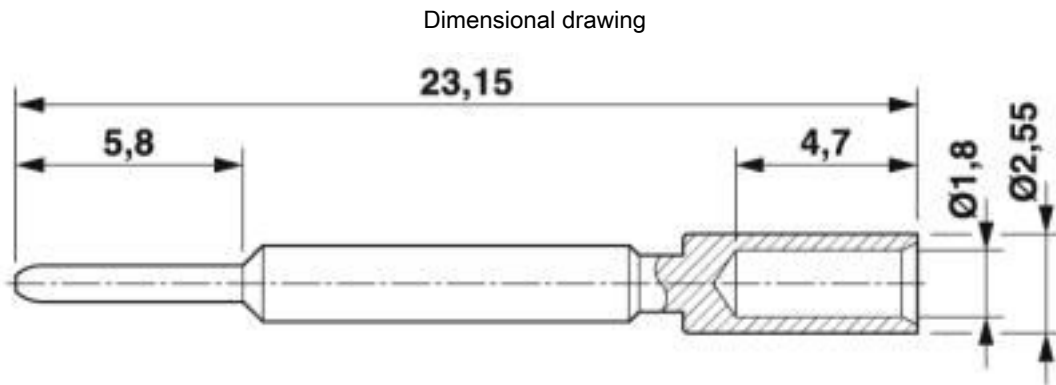
General

Insertion/withdrawal cycles mechanical	100
Litz wire cross section min.	1 mm ²
Litz wire cross section max.	1.5 mm ²
Contact material	CuZn
Contact surface	Nickel-plated (Ni), with gold coating (Au)

Environmental Product Compliance

REACH SVHC	Lead 7439-92-1
China RoHS	Environmentally Friendly Use Period = 50 years
	For details about hazardous substances go to tab "Downloads", Category "Manufacturer's declaration"

Drawings



Classifications

eCl@ss

eCl@ss 10.0.1	27440204
eCl@ss 4.0	27260700
eCl@ss 4.1	27260700
eCl@ss 5.0	27260700
eCl@ss 5.1	27261200
eCl@ss 6.0	27261200
eCl@ss 7.0	27440204
eCl@ss 8.0	27440204
eCl@ss 9.0	27440204

Crimp contact - SB-10KP004 - 1623613

Classifications

ETIM

ETIM 5.0	EC000796
ETIM 6.0	EC000796
ETIM 7.0	EC000796

UNSPSC

UNSPSC 13.2	39121522
UNSPSC 18.0	39121522
UNSPSC 19.0	39121522
UNSPSC 20.0	39121522
UNSPSC 21.0	39121522

Accessories

Accessories

Crimping tool

Crimp locator - SF-Z0053 - 1615584



Locator for RC-Z2514 and RC-Z2504 crimping pliers, for crimping turned SF and ST contacts, diameter of 0.6 mm ... 1.0 mm and 2.0 mm.

Crimping pliers with digital display - SF-Z0054 - 1615585



Crimping pliers for turned crimp contacts \varnothing 0.6 mm / \varnothing 0.8 mm / \varnothing 1 mm / \varnothing 2 mm, litz wire cross section of 0.06 mm² ... 2.5 mm²