

Sleeve connector set - VC-M-T2/10() S822 NZ:TS02 - 1623598

Please be informed that the data shown in this PDF Document is generated from our Online Catalog. Please find the complete data in the user's documentation. Our General Terms of Use for Downloads are valid (<http://phoenixcontact.com/download>)



Sleeve housing with EMC coating and conductive seal, with metric cable entry, locking screws with cylinder head, type 2

The figure shows version VC-MEMV-T3-Z-M25



Key Commercial Data

Packing unit	1 pc
GTIN	
GTIN	4055626172316
Weight per Piece (excluding packing)	400.000 g
Custom tariff number	85366990
Country of origin	Poland

Technical data

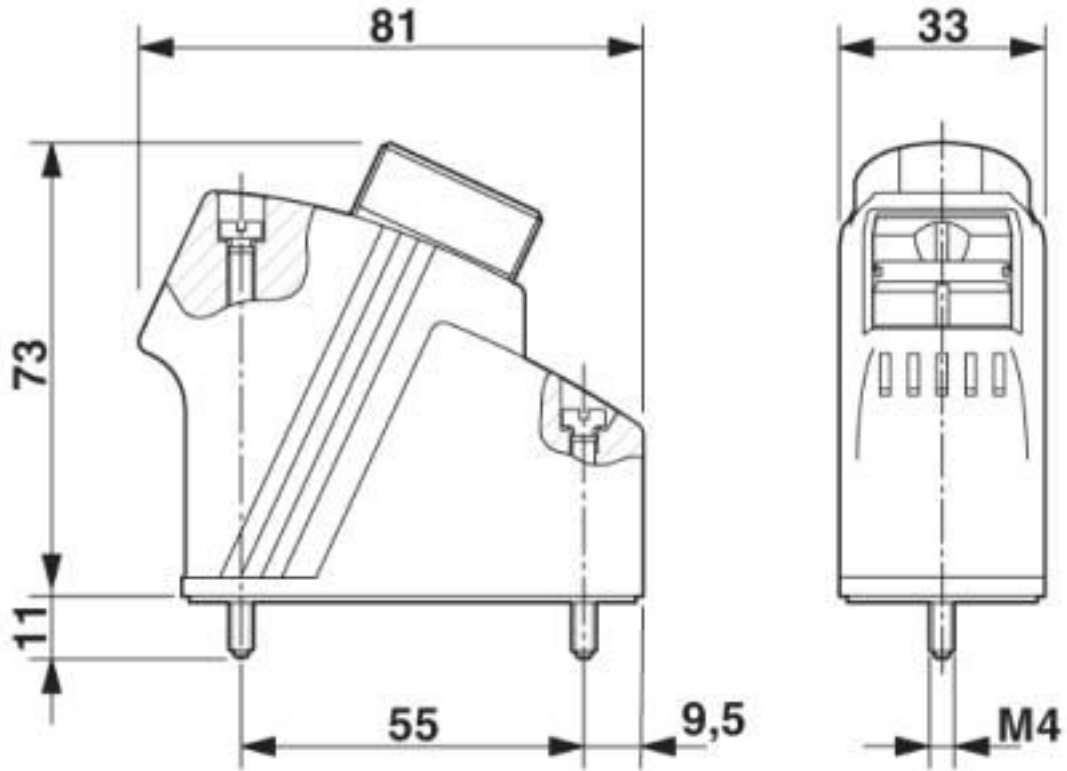
Environmental Product Compliance

REACH SVHC	Lead 7439-92-1
China RoHS	Environmentally Friendly Use Period = 50 years
	For details about hazardous substances go to tab "Downloads", Category "Manufacturer's declaration"

Drawings

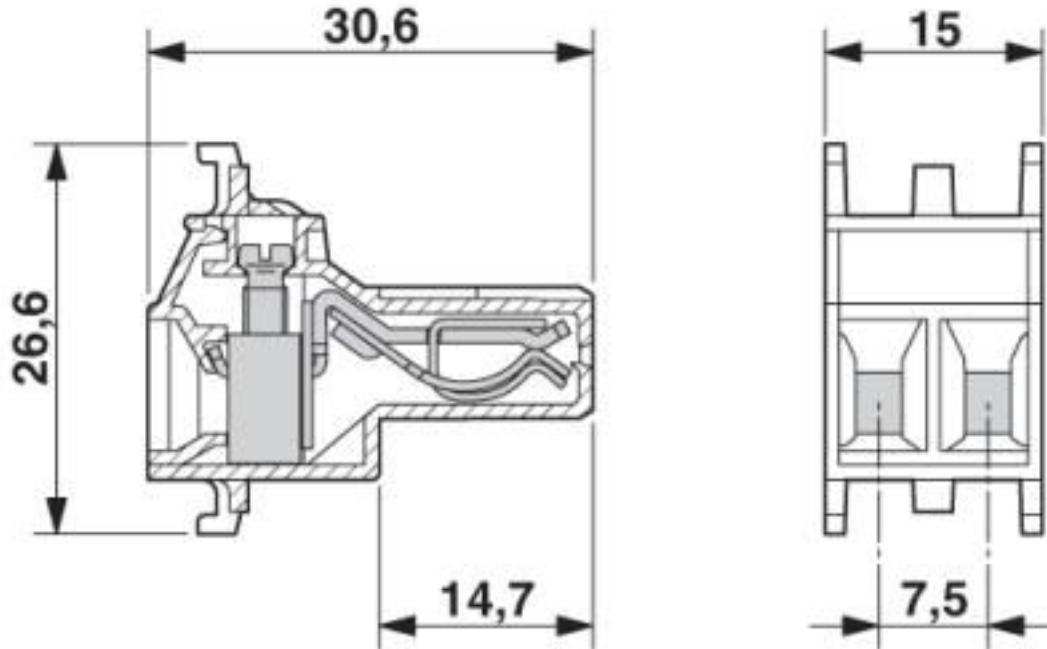
Sleeve connector set - VC-M-T2/10() S822 NZ:TS02 - 1623598

Dimensional drawing



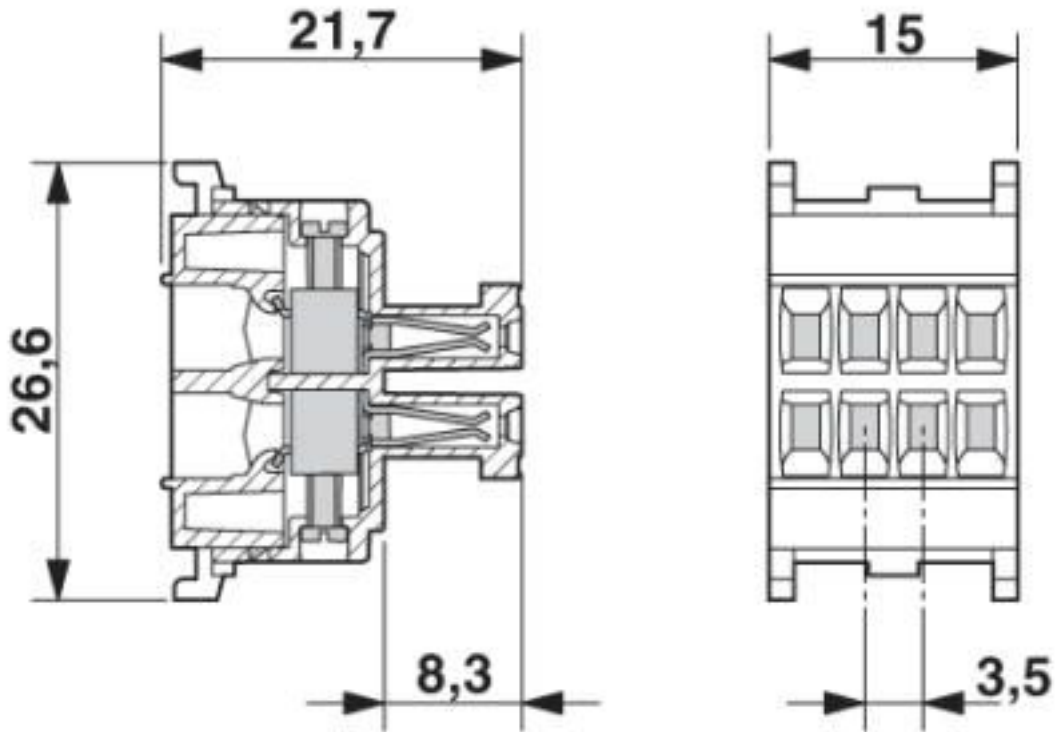
Sleeve connector set - VC-M-T2/10() S822 NZ:TS02 - 1623598

Dimensional drawing

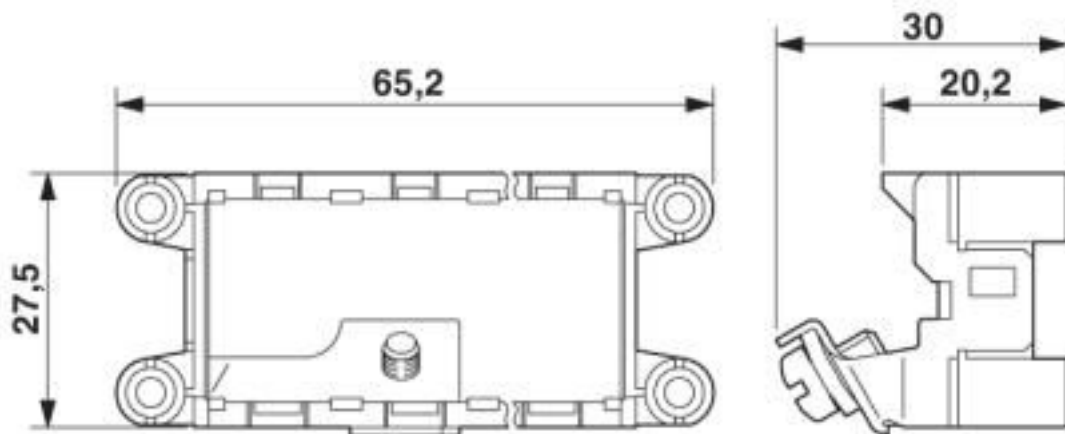


Sleeve connector set - VC-M-T2/10() S822 NZ:TS02 - 1623598

Dimensional drawing



Dimensional drawing



Classifications

eCl@ss

eCl@ss 10.0.1	27144001
---------------	----------

Sleeve connector set - VC-M-T2/10() S822 NZ:TS02 - 1623598

Classifications

eCl@ss

eCl@ss 4.0	27141200
eCl@ss 4.1	27141200
eCl@ss 5.0	27144000
eCl@ss 5.1	27144000
eCl@ss 6.0	27144000
eCl@ss 7.0	27144001
eCl@ss 8.0	27144001
eCl@ss 9.0	27144001

ETIM

ETIM 5.0	EC000007
ETIM 6.0	EC000007
ETIM 7.0	EC000007

UNSPSC

UNSPSC 13.2	31261501
UNSPSC 18.0	31261501
UNSPSC 19.0	31261501
UNSPSC 20.0	31261501
UNSPSC 21.0	31261501