

Connector - PV-CM/CF-PRC-5FC/FS6-SET2 KO2 - 1623595

Please be informed that the data shown in this PDF Document is generated from our Online Catalog. Please find the complete data in the user's documentation. Our General Terms of Use for Downloads are valid (<http://phoenixcontact.com/download>)


Inverter connection kit consisting of 1x AC field connector from the PRC series and 2x "SUNCLIX" DC field connectors (1 pair)



Product Description

The set consists of a 5-pos. PRC field connector for conductor cross sections from 1.5 mm² to 6.0 mm² and conductor outside diameters of 8 mm to 21 mm as well as two 1-pos. SUNCLIX field connectors (1x coupling, 1x connector) for conductor cross sections of 2.5 mm² to 6.0 mm².

Key Commercial Data

Packing unit	1
GTIN	 4 055626 167855
GTIN	4055626167855
Custom tariff number	85359000

Technical data

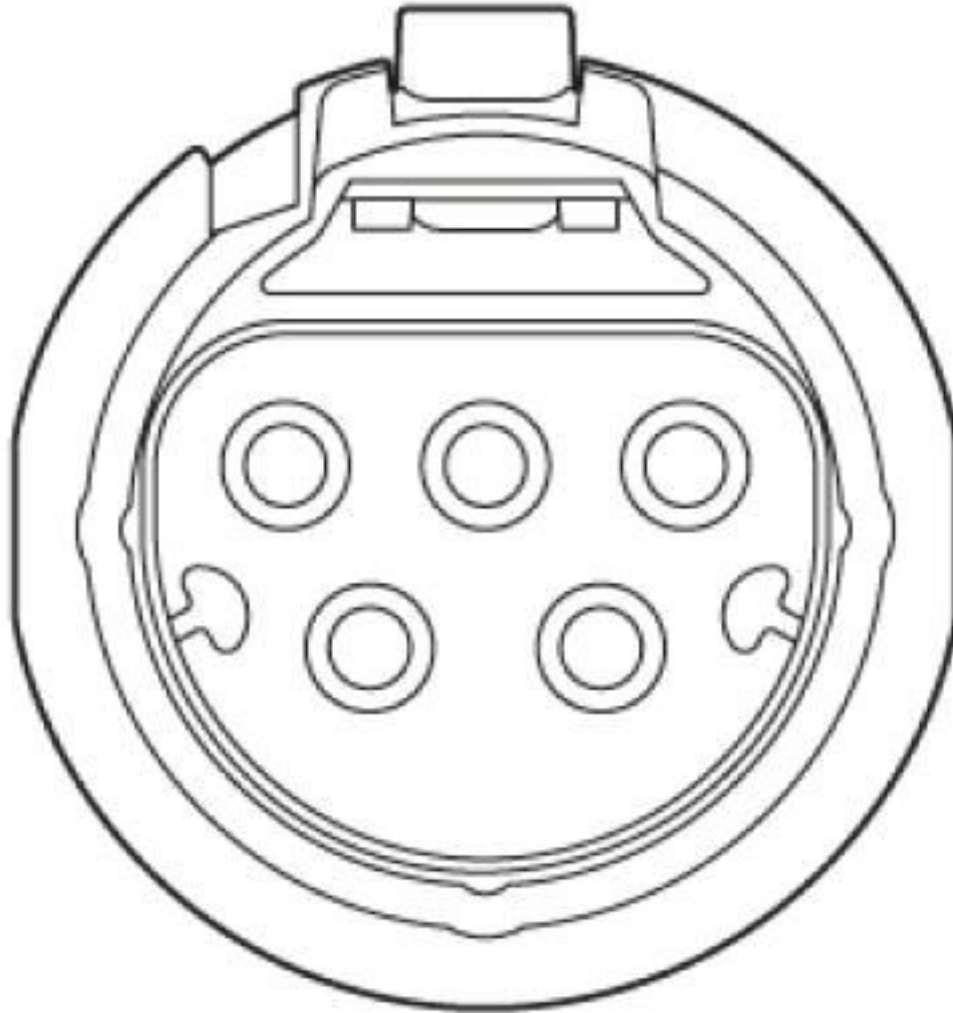
Environmental Product Compliance

China RoHS	Environmentally Friendly Use Period = 50 years
	For details about hazardous substances go to tab "Downloads", Category "Manufacturer's declaration"

Drawings

Connector - PV-CM/CF-PRC-5FC/FS6-SET2 KO2 - 1623595

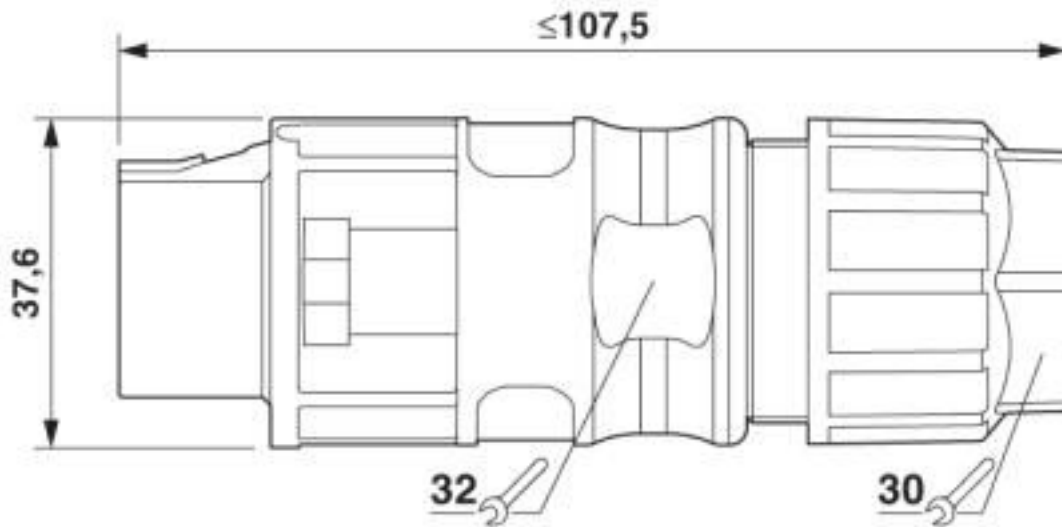
Schematic diagram



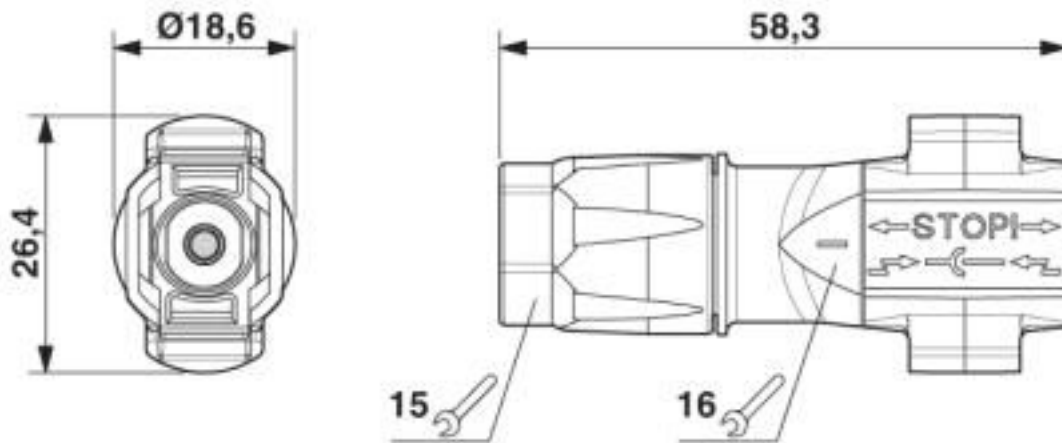
Connector pin assignment

Connector - PV-CM/CF-PRC-5FC/FS6-SET2 KO2 - 1623595

Dimensional drawing

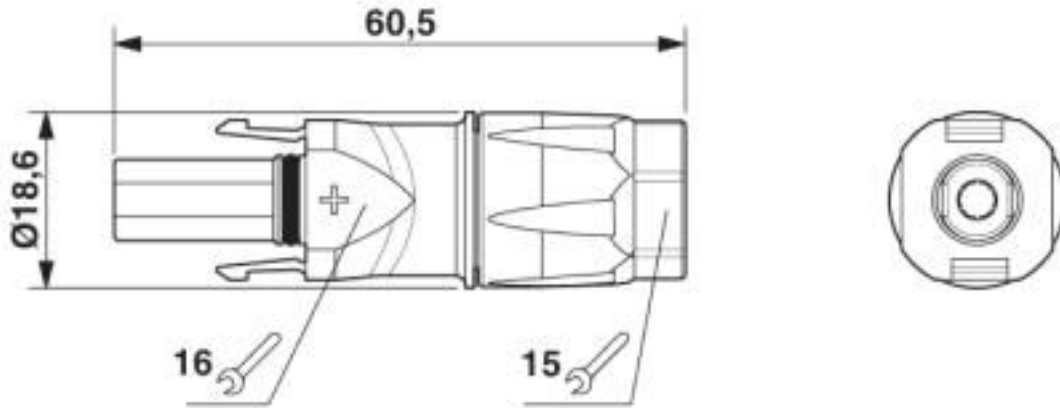


Dimensional drawing



Connector - PV-CM/CF-PRC-5FC/FS6-SET2 KO2 - 1623595

Dimensional drawing



Classifications

eCl@ss

eCl@ss 10.0.1	27440109
eCl@ss 4.0	27260700
eCl@ss 4.1	27260700
eCl@ss 5.0	27260700
eCl@ss 5.1	27260700
eCl@ss 6.0	27260700
eCl@ss 7.0	27440102
eCl@ss 8.0	27440102
eCl@ss 9.0	27440103

ETIM

ETIM 5.0	EC002061
ETIM 6.0	EC002061
ETIM 7.0	EC002635

UNSPSC

UNSPSC 13.2	39121413
UNSPSC 18.0	39121413
UNSPSC 19.0	39121413
UNSPSC 20.0	39121413
UNSPSC 21.0	39121413

Approvals

Approvals

Connector - PV-CM/CF-PRC-5FC/FS6-SET2 KO2 - 1623595


Approvals

Approvals

EAC

Ex Approvals

Approval details

EAC		B.01687
-----	---	---------

Accessories

Accessories

Screwdriver tools

Screwdriver - SZF 1-0,6X3,5 - 1204517



Actuation tool, for ST terminal blocks, also suitable for use as a bladed screwdriver, size: 0.6 x 3.5 x 100 mm, 2-component grip, with non-slip grip

Stripping tool

Stripping tool - WIREFOX-D SR 6-1 - 1212511



Stripping tool, for standard 2.5, 4, and 6 mm² solar cables, with 15 mm length stop, for SUNCLIX field connectors

Connector - PV-CM/CF-PRC-5FC/FS6-SET2 KO2 - 1623595

Accessories

Stripping tool - WIREFOX-D 28 - 1212174



Stripping tool, for stripping lines of \varnothing 8 - 28 mm

Stripping tool - WIREFOX 6SC - 1212158



Stripping tool, for cables and conductors (especially for cables protected against short circuits and ground leakages) 1.5 - 6 mm², self-adjusting, stripping length of up to 18 mm, cutting capacity of up to 10 mm² stranded/1.5 mm² solid, replaceable stripping blade
