

## Crimp contact - SB-36KP004 - 1623385

Please be informed that the data shown in this PDF Document is generated from our Online Catalog. Please find the complete data in the user's documentation. Our General Terms of Use for Downloads are valid (<http://phoenixcontact.com/download>)



Crimp contact, turned, Single contact, contact diameter: 3.6 mm, crimp range: 10 mm<sup>2</sup> ... 10 mm<sup>2</sup>


The figure may differ depending on the connection area

### Your advantages

- Crimping connection: vibration- and temperature-resistant assembly
- High tensile strength of the connection
- Low contact resistance
- Easy production monitoring



### Key Commercial Data

Packing unit	1 pc
Minimum order quantity	20 pc
GTIN	 4 055626 195278
GTIN	4055626195278
Custom tariff number	85366990
Country of origin	Germany

### Technical data

#### General

Contact type	turned
Contact diameter	3.6 mm
Type of contact	Pin
Connection method	Crimp connection
Insertion/withdrawal cycles mechanical	100

# Crimp contact - SB-36KP004 - 1623385

## Technical data

### General

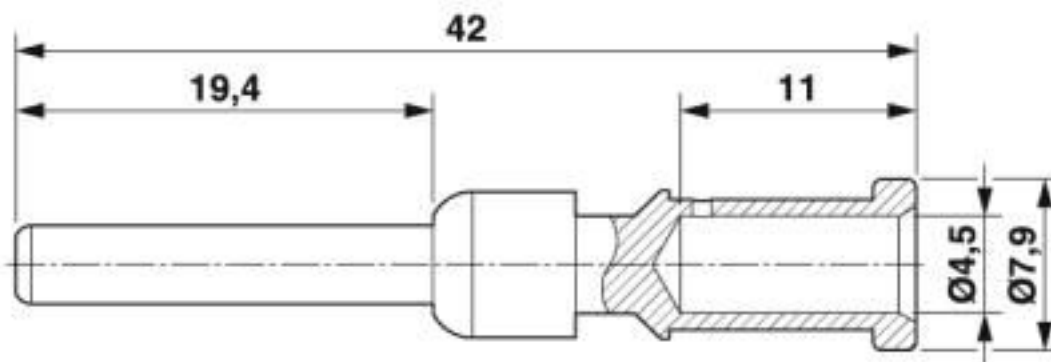
Litz wire cross section min.	10 mm <sup>2</sup>
Litz wire cross section max.	10 mm <sup>2</sup>
Contact material	CuZn
Contact surface	Nickel-plated (Ni), with gold coating (Au)

### Environmental Product Compliance

REACH SVHC	Lead 7439-92-1
China RoHS	Environmentally Friendly Use Period = 50 years
	For details about hazardous substances go to tab "Downloads", Category "Manufacturer's declaration"

## Drawings

Dimensional drawing



## Classifications

eCl@ss

eCl@ss 10.0.1	27440204
eCl@ss 4.0	27260700
eCl@ss 4.1	27260700
eCl@ss 5.0	27260700
eCl@ss 5.1	27261200
eCl@ss 6.0	27261200
eCl@ss 7.0	27440204
eCl@ss 8.0	27440204
eCl@ss 9.0	27440204

## Crimp contact - SB-36KP004 - 1623385

### Classifications

#### ETIM

ETIM 5.0	EC000796
ETIM 6.0	EC000796
ETIM 7.0	EC000796

#### UNSPSC

UNSPSC 13.2	39121522
UNSPSC 18.0	39121522
UNSPSC 19.0	39121522
UNSPSC 20.0	39121522
UNSPSC 21.0	39121522

### Accessories

#### Accessories

#### Crimping tool

##### Crimping pliers - SB-Z0016 - 1624515



Manual crimping pliers for turned crimp contacts  $\varnothing$  3.6 mm, litz wire cross section of 10 mm<sup>2</sup> ... 16 mm<sup>2</sup> without locator for axial stop

---

##### Crimping pliers - SB-Z0018 - 1013638



Manual crimping pliers for turned crimp contacts  $\varnothing$  3.6 mm, litz wire cross section of 10 mm<sup>2</sup> ... 16 mm<sup>2</sup> with locator for axial stop