

Crimp contact - SB-36KS002 - 1623378

Please be informed that the data shown in this PDF Document is generated from our Online Catalog. Please find the complete data in the user's documentation. Our General Terms of Use for Downloads are valid (<http://phoenixcontact.com/download>)



Crimp contact, turned, contact diameter: 3.6 mm, crimp range: 2.5 mm² ... 4 mm²


The figure may differ depending on the connection area

Your advantages

- Crimping connection: vibration- and temperature-resistant assembly
- High tensile strength of the connection
- Low contact resistance
- Easy production monitoring



Key Commercial Data

| | |
|------------------------|---|
| Packing unit | 1 pc |
| Minimum order quantity | 20 pc |
| GTIN |  4 055626 285955 |
| GTIN | 4055626285955 |
| Custom tariff number | 85366990 |
| Country of origin | Germany |

Technical data

General

| | |
|--|------------------|
| Contact type | turned |
| Contact diameter | 3.6 mm |
| Type of contact | Socket |
| Connection method | Crimp connection |
| Insertion/withdrawal cycles mechanical | 100 |

Crimp contact - SB-36KS002 - 1623378

Technical data

General

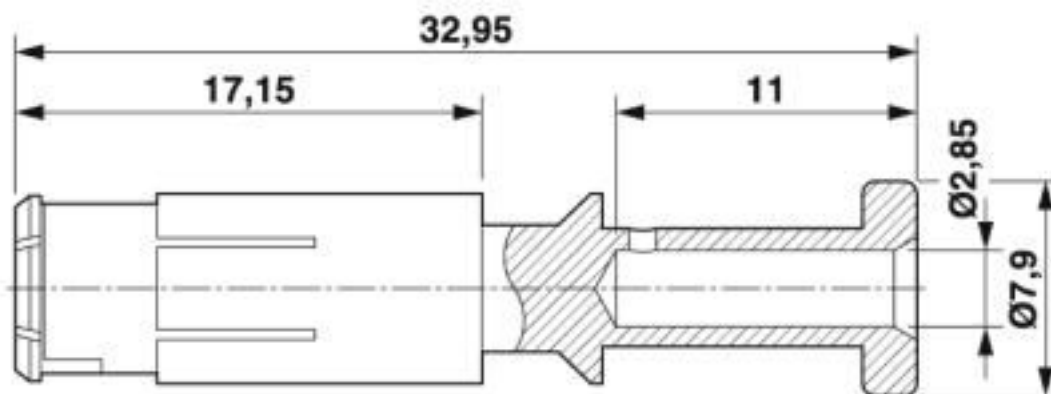
| | |
|------------------------------|---------------------|
| Litz wire cross section min. | 2.5 mm ² |
| Litz wire cross section max. | 4 mm ² |
| Contact material | CuZn |

Environmental Product Compliance

| | |
|------------|---|
| REACH SVHC | Lead 7439-92-1 |
| China RoHS | Environmentally Friendly Use Period = 50 years |
| | For details about hazardous substances go to tab "Downloads", Category "Manufacturer's declaration" |

Drawings

Dimensional drawing



Classifications

eCl@ss

| | |
|---------------|----------|
| eCl@ss 10.0.1 | 27440204 |
| eCl@ss 4.0 | 27260700 |
| eCl@ss 4.1 | 27260700 |
| eCl@ss 5.0 | 27260700 |
| eCl@ss 5.1 | 27261200 |
| eCl@ss 6.0 | 27261200 |
| eCl@ss 7.0 | 27440204 |
| eCl@ss 8.0 | 27440204 |
| eCl@ss 9.0 | 27440204 |

Crimp contact - SB-36KS002 - 1623378

Classifications

ETIM

| | |
|----------|----------|
| ETIM 5.0 | EC000796 |
| ETIM 6.0 | EC000796 |
| ETIM 7.0 | EC000796 |

Accessories

Accessories

Crimping tool

Crimping pliers with digital display - SF-Z0026 - 1607454



Crimping pliers for turned crimp contacts \varnothing 2 mm / \varnothing 3.6 mm, litz wire cross section of 1.5 mm² ... 10 mm²

SB-Z0026 - 1624618



Locator for SF-Z0026 crimping pliers, for crimping turned M40 hybrid contacts, diameter of 3.6 mm, cross section of 2.5 mm² ... 6 mm²