

## Photovoltaic connector - PV-CM-C-HSG - 1622662

Please be informed that the data shown in this PDF Document is generated from our Online Catalog. Please find the complete data in the user's documentation. Our General Terms of Use for Downloads are valid (<http://phoenixcontact.com/download>)




Photovoltaic connector, Photovoltaic connector, color: black, min. conductor cross section: 2.5 mm<sup>2</sup>, max. conductor cross section: 6 mm<sup>2</sup>, nom. voltage: 1500 V, rated current: 20 A, Connection method: Crimp, Type of contact: Pin, min. cable diameter: 6 mm, max. cable diameter: 8 mm

### Your advantages

- ✓ High-quality materials ensure a high degree of reliability and long-term stability
- ✓ Maximum system efficiency with proven, low-loss SUNCLIX contacts
- ✓ International approvals enable worldwide use



### Key Commercial Data

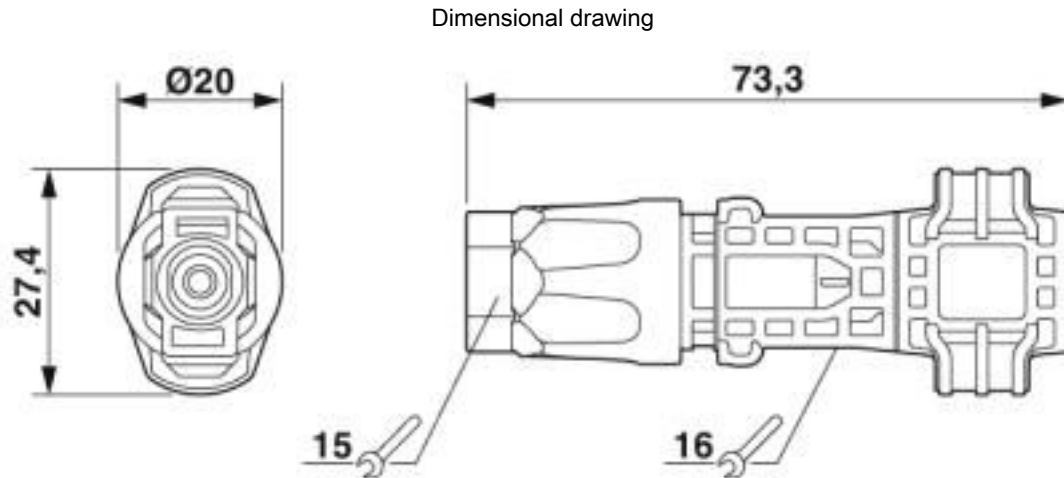
|                                      |   |
|--------------------------------------|---|
| Packing unit                         | 1 pc  |
| Minimum order quantity               | 50 pc   |
| GTIN                                 | <br>4 055626 056425 |
| GTIN                                 | 4055626056425   |
| Weight per Piece (excluding packing) | 14.000 g  |
| Custom tariff number                 | 85359000  |
| Country of origin                    | Germany   |

### Technical data

|               |                        |
|---------------|------------------------|
| Product type  | Photovoltaic connector |
| Approval      | EAC                    |
|               | UL Recognized          |
|               | TÜV Rheinland          |
| Gender        | Pin                    |
| Rated current | 35                     |

# Photovoltaic connector - PV-CM-C-HSG - 1622662

## Drawings



## Classifications

### eCl@ss

|               |          |
|---------------|----------|
| eCl@ss 10.0.1 | 27440107 |
| eCl@ss 5.1    | 27260701 |
| eCl@ss 6.0    | 27261101 |
| eCl@ss 8.0    | 27440102 |
| eCl@ss 9.0    | 27440107 |

### ETIM

|          |          |
|----------|----------|
| ETIM 5.0 | EC002635 |
| ETIM 6.0 | EC002061 |

### UNSPSC

|             |          |
|-------------|----------|
| UNSPSC 13.2 | 39121413 |
| UNSPSC 18.0 | 39121413 |
| UNSPSC 19.0 | 39121413 |
| UNSPSC 20.0 | 39121413 |
| UNSPSC 21.0 | 39121413 |

## Approvals

### Approvals

### Approvals


EAC / UL Recognized / TÜV Rheinland


# Photovoltaic connector - PV-CM-C-HSG - 1622662


## Approvals

Ex Approvals

### Approval details

|     |   |         |
|-----|---|---------|
| EAC |  | B.01687 |
|-----|---|---------|

|                            |   |   |                  |
|----------------------------|---|---|------------------|
| UL Recognized              |  | <a href="http://database.ul.com/cgi-bin/XYV/template/LISEXT/1FRAME/index.htm">http://database.ul.com/cgi-bin/XYV/template/LISEXT/1FRAME/index.htm</a> | E477377-20170810 |
| Nominal voltage UN         |   | 1500 V  |                  |
| Nominal current IN         |   | 50 A  |                  |
| mm <sup>2</sup> /AWG/kcmil |   | 14-10   |                  |

|                    |   |   |            |
|--------------------|---|---|------------|
| TÜV Rheinland      |  | <a href="http://www.certipedia.com">http://www.certipedia.com</a> | R 60126961 |
| Nominal voltage UN |   | 1500 V  |            |

## Accessories

### Accessories

#### Photovoltaic connector

#### Protective cap - PV-C PROTECTION CAP - 1785430

Photovoltaic connector, Range of articles: SUNCLIX, Protective cap, color: black. self-sealing, without interlock, set consisting of: 1 protective cap for connector side and 1 protective cap for coupling side



## Photovoltaic connector - PV-CM-C-HSG - 1622662

### Accessories

Crimp contact - PV-FT-CCM-6-R1000 - 1704928



Photovoltaic connector, Crimp contact, number of positions: 1, min. conductor cross section: 6 mm<sup>2</sup>, Connection method: Crimp, Type of contact: Pin

---

Crimp contact - PV-FT-CCM-2,5-4-R1000 - 1704927



Photovoltaic connector, Crimp contact, min. conductor cross section: 2.5 mm<sup>2</sup>, max. conductor cross section: 4 mm<sup>2</sup>, rated current: 27 A, Connection method: Crimp, Type of contact: Pin

---