

Photovoltaic connector - PV-CF-C-HSG - 1622661

Please be informed that the data shown in this PDF Document is generated from our Online Catalog. Please find the complete data in the user's documentation. Our General Terms of Use for Downloads are valid (<http://phoenixcontact.com/download>)




Photovoltaic connector, Range of articles: PV-CF-C, Photovoltaic connector, color: black, min. conductor cross section: 2.5 mm², max. conductor cross section: 6 mm², nom. voltage: 1500 V, rated current: 20 A, Connection method: Crimp, Type of contact: Socket, min. cable diameter: 6 mm, max. cable diameter: 8 mm

Your advantages

- ✓ High-quality materials ensure a high degree of reliability and long-term stability
- ✓ Maximum system efficiency with proven, low-loss SUNCLIX contacts
- ✓ International approvals enable worldwide use



Key Commercial Data

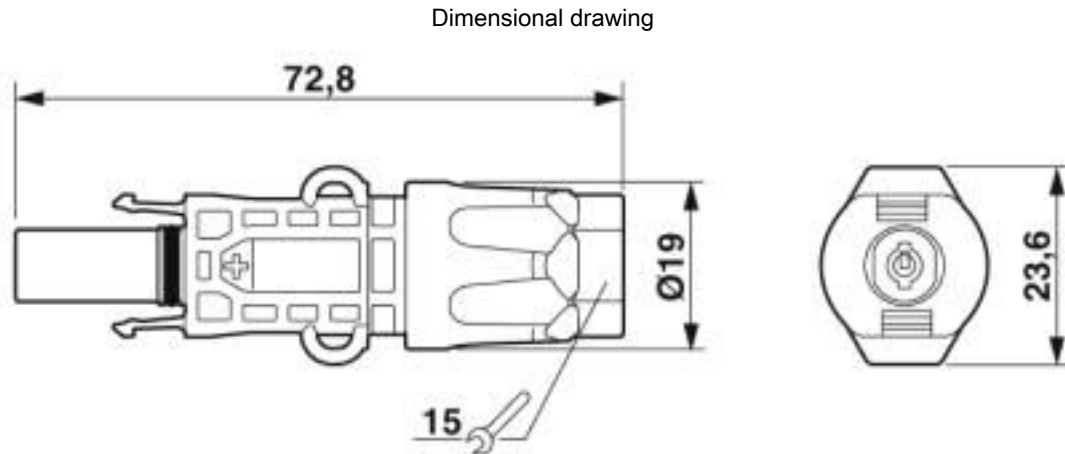
Packing unit	1 pc
Minimum order quantity	50 pc
GTIN	 4 055626 056418
GTIN	4055626056418
Weight per Piece (excluding packing)	10.400 g
Custom tariff number	85359000
Country of origin	Germany

Technical data

Product type	Photovoltaic connector
Approval	EAC
	UL Recognized
	TÜV Rheinland
Gender	Socket
Rated current	35

Photovoltaic connector - PV-CF-C-HSG - 1622661

Drawings



Classifications

eCl@ss

eCl@ss 10.0.1	27440107
eCl@ss 5.1	27260701
eCl@ss 6.0	27260708
eCl@ss 8.0	27440102
eCl@ss 9.0	27440107

ETIM

ETIM 5.0	EC002635
ETIM 6.0	EC002061

UNSPSC

UNSPSC 13.2	39121413
UNSPSC 18.0	39121413
UNSPSC 19.0	39121413
UNSPSC 20.0	39121413
UNSPSC 21.0	39121413

Approvals

Approvals

Approvals


EAC / UL Recognized / TÜV Rheinland


Photovoltaic connector - PV-CF-C-HSG - 1622661


Approvals

Ex Approvals

Approval details

EAC		B.01687
-----	---	---------

UL Recognized		http://database.ul.com/cgi-bin/XYV/template/LISEXT/1FRAME/index.htm	E477377-20170810
Nominal voltage UN		1500 V	
Nominal current IN		50 A	
mm ² /AWG/kcmil		14-10	

TÜV Rheinland		http://www.certipedia.com	R 60126961
Nominal voltage UN		1500 V	

Accessories

Accessories

Crimping tool

Crimping pliers - CRIMPFOX-P SR 6 - 1212755



Crimping pliers, for SUNCLIX solar crimp connectors 2.5 ... 6 mm², unlockable pressure lock, precise parallel crimping, lateral entry, B crimp, incl. positioning tool

Photovoltaic connector

Photovoltaic connector - PV-CF-C-HSG - 1622661

Accessories

Protective cap - PV-C PROTECTION CAP - 1785430



Photovoltaic connector, Range of articles: SUNCLIX, Protective cap, color: black, self-sealing, without interlock, set consisting of: 1 protective cap for connector side and 1 protective cap for coupling side

Crimp contact - PV-FT-CCF-6-R1000 - 1704931



Photovoltaic connector, Crimp contact, number of positions: 1, min. conductor cross section: 6 mm², Connection method: Crimp, Type of contact: Socket

Crimp contact - PV-FT-CCF-2,5-4-R1000 - 1704930



Photovoltaic connector, Crimp contact, min. conductor cross section: 2.5 mm², max. conductor cross section: 4 mm², rated current: 27 A, Connection method: Crimp, Type of contact: Socket

Universal tools

Tool - UNIFOX SR 6 - 1200137



Mounting pliers for snapping the SUNCLIX crimp contacts into the plastic housing, curved 35°, suitable for a conductor diameter of 4.2 mm ... 6.0 mm.