


Metal protective cap - SH-Z2300 - 1622141

Please be informed that the data shown in this PDF Document is generated from our Online Catalog. Please find the complete data in the user's documentation. Our General Terms of Use for Downloads are valid (<http://phoenixcontact.com/download>)

Metal protection cap with steel wire, for M23 hybrid connectors with knurled nut



Key Commercial Data

Packing unit	1 pc
Minimum order quantity	10 pc
GTIN	 4 055626 277516
GTIN	4055626277516
Weight per Piece (excluding packing)	30.000 g
Custom tariff number	74199990
Country of origin	Germany

Technical data

Ambient conditions

Degree of protection	IP67
----------------------	------

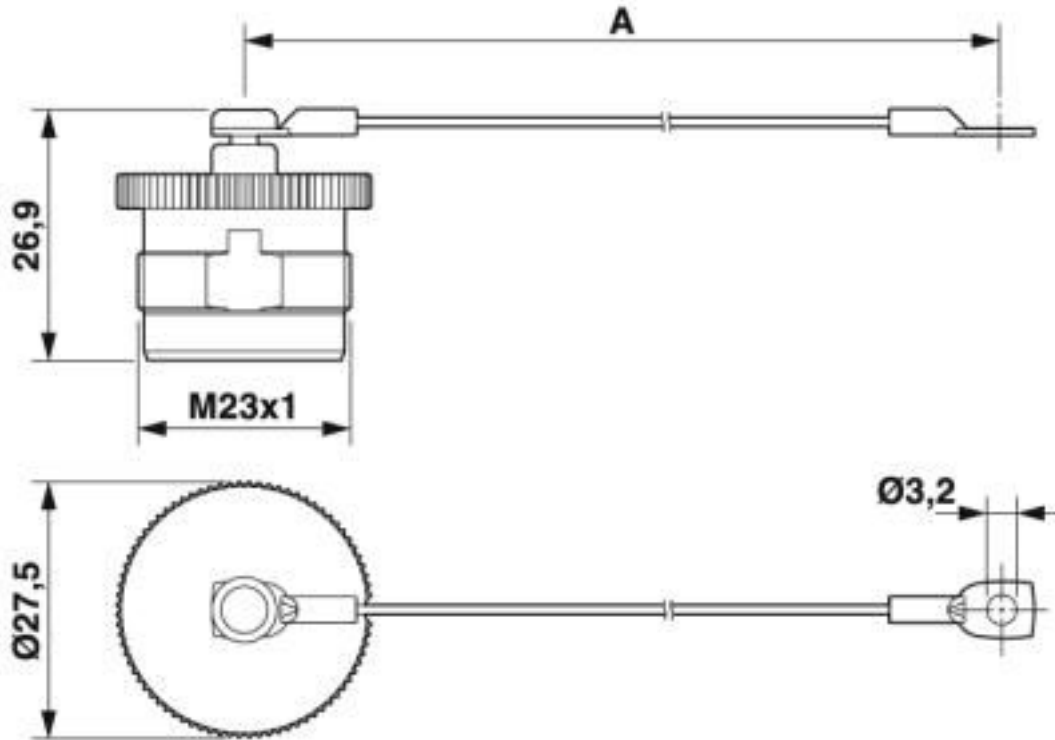
Environmental Product Compliance

REACH SVHC	Lead 7439-92-1
China RoHS	Environmentally Friendly Use Period = 50 years
	For details about hazardous substances go to tab "Downloads", Category "Manufacturer's declaration"

Drawings

Metal protective cap - SH-Z2300 - 1622141

Dimensional drawing



Dimension A = 100 mm

Classifications

eCl@ss

eCl@ss 10.0.1	27440312
eCl@ss 4.0	27260700
eCl@ss 4.1	27260700
eCl@ss 5.0	27260700
eCl@ss 5.1	27260700
eCl@ss 6.0	27260700
eCl@ss 7.0	27440312
eCl@ss 8.0	27440312
eCl@ss 9.0	27440312

ETIM

ETIM 3.0	EC001121
ETIM 4.0	EC001121
ETIM 5.0	EC002641

Metal protective cap - SH-Z2300 - 1622141

Classifications

ETIM

ETIM 6.0	EC002641
ETIM 7.0	EC002641

UNSPSC

UNSPSC 6.01	43172015
UNSPSC 7.0901	43201404
UNSPSC 11	43172015
UNSPSC 12.01	43201404
UNSPSC 13.2	39121419
UNSPSC 18.0	39121419
UNSPSC 19.0	39121419
UNSPSC 20.0	39121419
UNSPSC 21.0	39121419