

Device connector, front mounting - CA-12P2N8AAD00 - 1621739

Please be informed that the data shown in this PDF Document is generated from our Online Catalog. Please find the complete data in the user's documentation. Our General Terms of Use for Downloads are valid (<http://phoenixcontact.com/download>)



Device connector for front wall, RC, angled rotatable, shielded: yes, for standard and SPEEDCON interlock, M23, No. of pos.: 12, type of contact: Pin, Crimp connection, Axial O-ring, 4x Ø 3.2

The figure shows the 12-pos. product version with standard contact chamber numbering and solder contacts

Your advantages

- ✓ Easy connection, thanks to infinitely adjustable cable outlet direction up to 310°
- ✓ Safe use in the field, thanks to high degree of protection
- ✓ Connector for flexible on-site assembly
- ✓ Consistent EMC protection for reliable transmission of signals
- ✓ Crimping connection: vibration- and temperature-resistant assembly



Key Commercial Data

Packing unit	1
GTIN	
GTIN	4055626000558
Custom tariff number	85366990

Technical data

Data of the insulating body

Note	Order information: Order crimp contacts Ø 1 mm separately
Coding	N
Insulator material	PA 6.6
Contact connection method	Crimp connection

Device connector, front mounting - CA-12P2N8AAD00 - 1621739

Technical data

Data of the insulating body

Type of contacts	Pin
Application	Signal
Number of positions	12
Direction of rotation	Counter direction
Contact diameter of power contacts	1 mm
Rated current for power contacts	8 A
Rated voltage of power contact	150 V
Rated surge voltage	1.5 kV
Overvoltage category	II
Degree of pollution	3
Overvoltage category	II
Degree of pollution	3

Housing data

Housing material	Turned parts: copper zinc alloy (CuZn), die-cast parts: zinc (GD-Zn)
Type of locking	for standard and SPEEDCON interlock
Degree of protection (when plugged in)	IP67
Thread type	M23

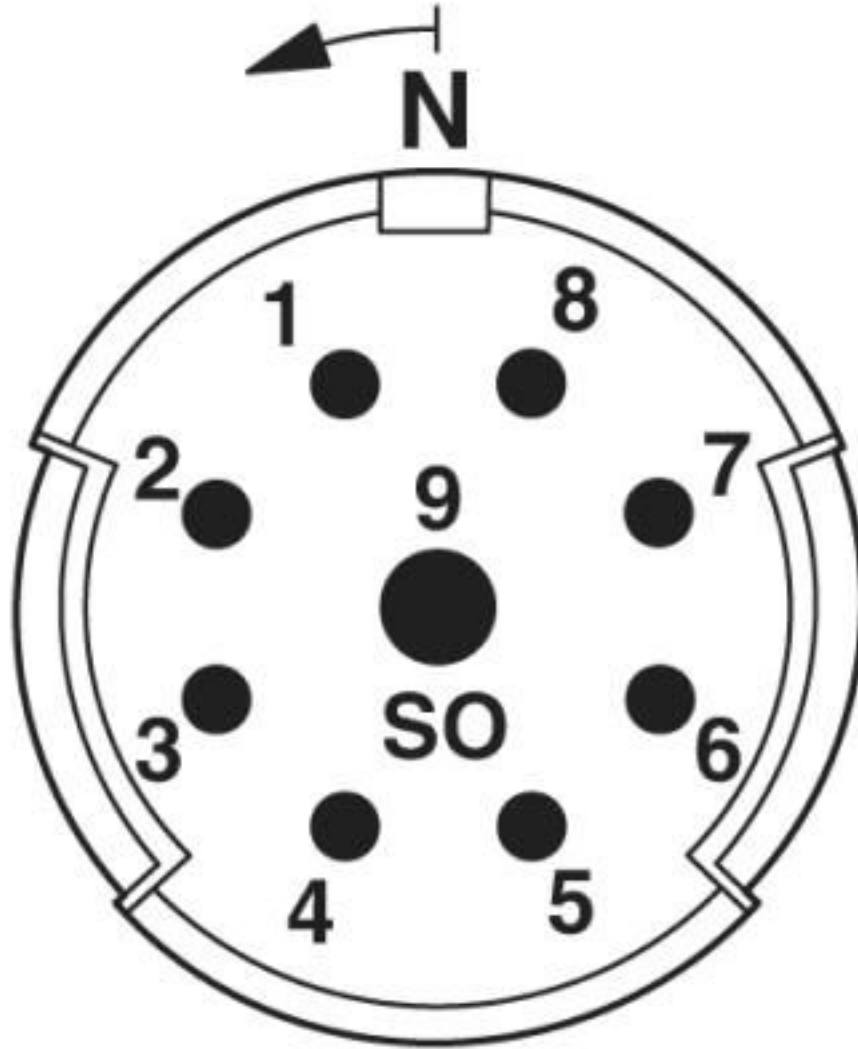
Environmental Product Compliance

REACH SVHC	Lead 7439-92-1
China RoHS	Environmentally Friendly Use Period = 50 years
	For details about hazardous substances go to tab "Downloads", Category "Manufacturer's declaration"

Drawings

Device connector, front mounting - CA-12P2N8AAD00 - 1621739

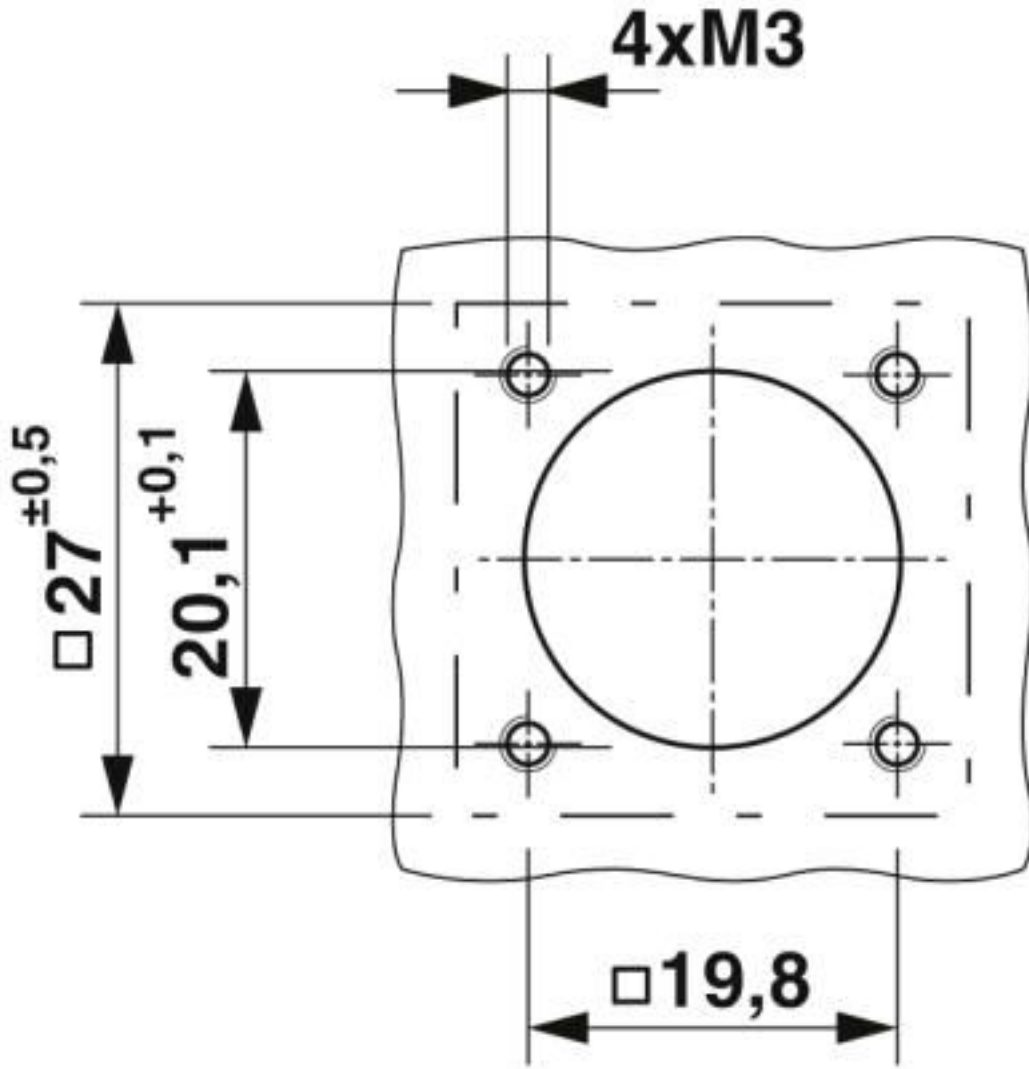
Schematic diagram



Contact chamber numbering (view of plug-in side), pin counter direction

Device connector, front mounting - CA-12P2N8AAD00 - 1621739

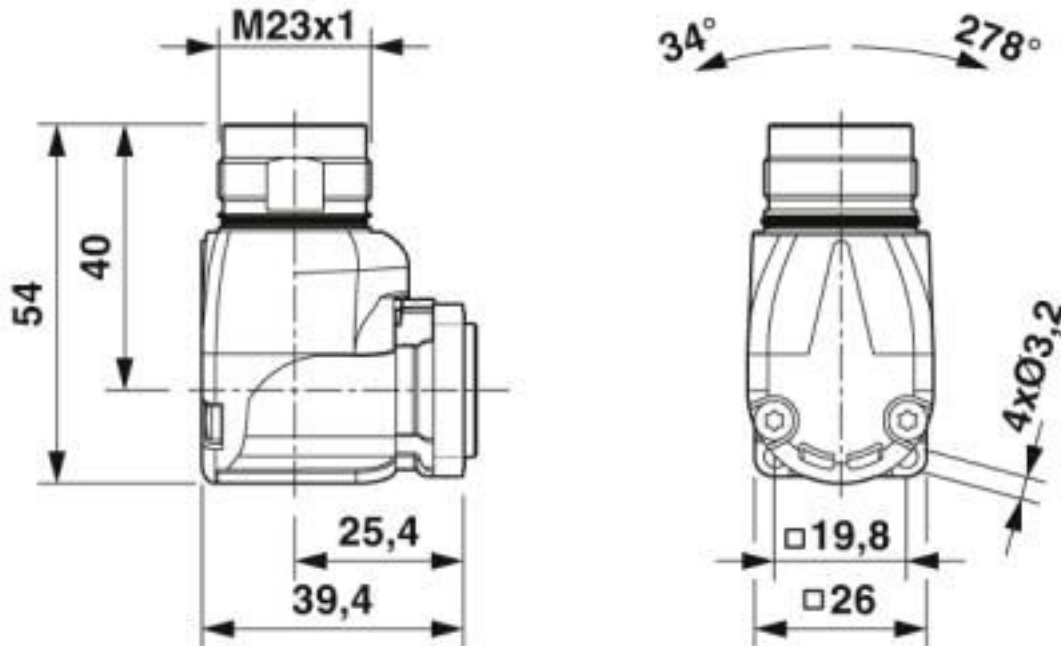
Dimensional drawing



Installation dimensions

Device connector, front mounting - CA-12P2N8AAD00 - 1621739

Dimensional drawing



Dimensional drawing

Classifications

eCl@ss

eCl@ss 10.0.1	27371392
eCl@ss 4.0	27378000
eCl@ss 4.1	27378000
eCl@ss 5.0	27379100
eCl@ss 5.1	27379100
eCl@ss 6.0	27379200
eCl@ss 7.0	27379201
eCl@ss 8.0	27379201
eCl@ss 9.0	27379201

ETIM

ETIM 4.0	EC002498
ETIM 5.0	EC002498
ETIM 6.0	EC002498
ETIM 7.0	EC002498

Device connector, front mounting - CA-12P2N8AAD00 - 1621739

Classifications

UNSPSC

UNSPSC 13.2	39121421
UNSPSC 18.0	39121421
UNSPSC 19.0	39121421
UNSPSC 20.0	39121421
UNSPSC 21.0	39121421

Approvals


Approvals


Approvals

UL Recognized / cUL Recognized / EAC / cULus Recognized

Ex Approvals

Approval details

UL Recognized		http://database.ul.com/cgi-bin/XYV/template/LISEXT/1FRAME/index.htm	E335019-20141210
Nominal voltage UN		150 V	
Nominal current IN		6 A	
mm ² /AWG/kcmil		20	

cUL Recognized		http://database.ul.com/cgi-bin/XYV/template/LISEXT/1FRAME/index.htm	E335019-20141210
Nominal voltage UN		150 V	
Nominal current IN		4 A	
mm ² /AWG/kcmil		20	

EAC		B.01687
-----	---	---------

Device connector, front mounting - CA-12P2N8AAD00 - 1621739

Approvals

cULus Recognized



Accessories

Accessories

Crimp contact

Crimp contact - RC-12P2000 - 1597862



Crimp contact, turned, Single contact, contact diameter: 1 mm, crimp range: 0.14 mm² ... 0.56 mm²

Crimp contact - RC-22P2000 - 1603321



Crimp contact, rolled, Single contact, contact diameter: 1 mm, crimp range: 0.22 mm² ... 0.56 mm²

Protective cover

Protective cap - SF-Z0019 - 1607449



Plastic protection cap, with eye, IP40 for connectors with M23 external thread, RF, SF series

Protective cap - RC-Z2059 - 1604225



Plastic protection cap for connectors with M23 external thread

Device connector, front mounting - CA-12P2N8AAD00 - 1621739

Accessories

Plastic anti-static dust protection cap - RC-Z2469 - 1611797



Plastic protection cap, antistatic, for RF, SF, CA, RC series connectors, with M23 external thread

Metal protective cap - RC-Z2104 - 1604260



Metal protection cap for signal connectors with M23 external thread

Metal protective cap - RC-Z2068 - 1604236



Metal protection cap with steel wire for signal connectors with M23 external thread
