

Panel feed-through - VS-PPC-F2-MSTB-MNNA-1R-SPSA5 - 1608249


Please be informed that the data shown in this PDF Document is generated from our Online Catalog. Please find the complete data in the user's documentation. Our General Terms of Use for Downloads are valid (<http://phoenixcontact.com/download>)



Push/pull panel mounting frame, metal, version 14, including contact insert with spring-cage connection, fixed 24 V coding according to Guideline for PROFINET, for rectangular mounting cutout, with seal, without fixing screws



Key Commercial Data

Packing unit	1 pc
GTIN	 4 046356 160049
GTIN	4046356160049
Weight per Piece (excluding packing)	61.800 g
Custom tariff number	85366990
Country of origin	Germany

Technical data

Dimensions

Type	Male
Width	36.2 mm
Height	42 mm
Length	41.9 mm

Ambient conditions

Ambient temperature (operation)	-40 °C ... 70 °C
---------------------------------	------------------

General data

Number of positions	5
Degree of pollution	2
Alternative short product description	Panel mounting frame for panel feed-through

Panel feed-through - VS-PPC-F2-MSTB-MNNA-1R-SPSA5 - 1608249

Technical data

General data

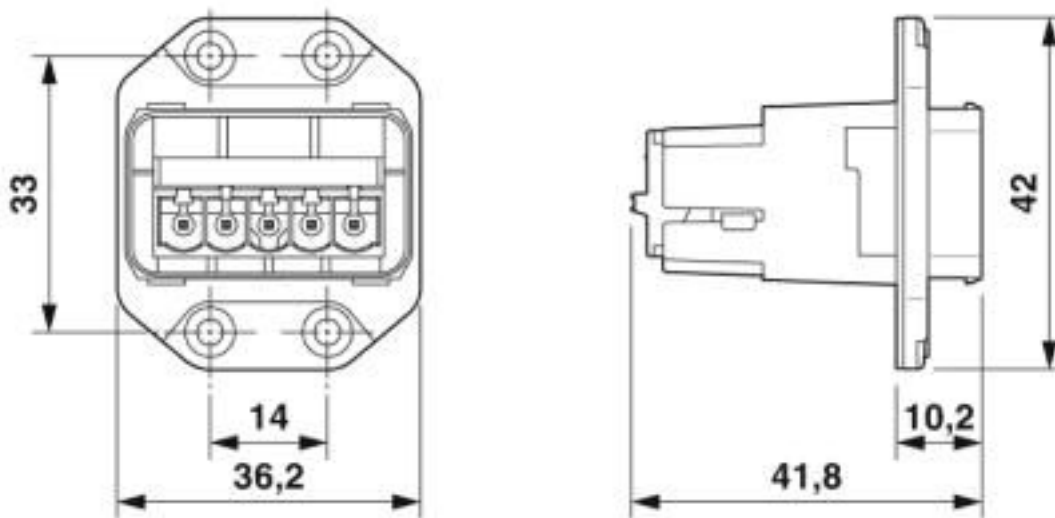
Locking type	Push Pull
Rated voltage (III/3)	24 V
Conductor cross section	0.75 mm ² ... 2.5 mm ²
Connection cross section AWG	18 ... 13
Connection method	Spring-cage connection
Contact surface material	Au/Ni
Housing material	Zinc die-cast
Degree of protection	IP65/IP67
Rated current	16 A

Standards and Regulations

Flammability rating according to UL 94	V0
--	----

Drawings

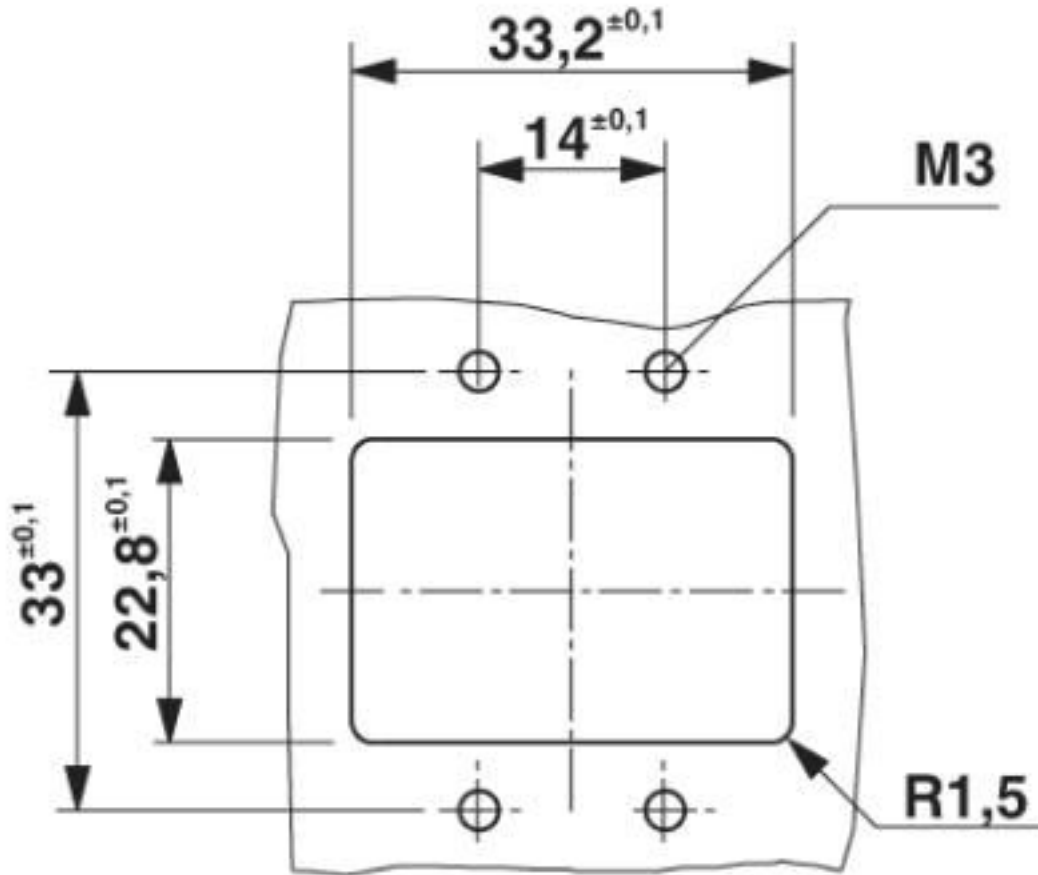
Dimensional drawing



Push-Pull MSTB panel mounting frame

Panel feed-through - VS-PPC-F2-MSTB-MNNA-1R-SPSA5 - 1608249

Dimensional drawing



Mounting cutout

Classifications

eCl@ss

eCl@ss 10.0.1	27440210
eCl@ss 4.0	27060700
eCl@ss 4.1	27060700
eCl@ss 5.0	27400200
eCl@ss 5.1	27400200
eCl@ss 6.0	27261200
eCl@ss 7.0	27440210
eCl@ss 8.0	27440210
eCl@ss 9.0	27440210

Panel feed-through - VS-PPC-F2-MSTB-MNNA-1R-SPSA5 - 1608249

Classifications

ETIM

ETIM 3.0	EC000516
ETIM 4.0	EC000516
ETIM 5.0	EC002310
ETIM 6.0	EC002310
ETIM 7.0	EC002310

UNSPSC

UNSPSC 6.01	31261501
UNSPSC 7.0901	31261501
UNSPSC 11	31261501
UNSPSC 12.01	31261501
UNSPSC 13.2	39121421
UNSPSC 18.0	39121421
UNSPSC 19.0	39121421
UNSPSC 20.0	39121421
UNSPSC 21.0	39121421

Approvals


Approvals

Approvals

UL Recognized / EAC

Ex Approvals

Approval details

UL Recognized		http://database.ul.com/cgi-bin/XYV/template/LISEXT/1FRAME/index.htm	FILE E 118976
Nominal voltage UN	24 V		
Nominal current IN	16 A		
mm ² /AWG/kcmil	14		

Panel feed-through - VS-PPC-F2-MSTB-MNNA-1R-SPSA5 - 1608249

Approvals

EAC		B.01687
-----	---	---------