

Panel mounting frames - VS-PPC-F1-SCRJ-MNNA-1RP - 1608061


Please be informed that the data shown in this PDF Document is generated from our Online Catalog. Please find the complete data in the user's documentation. Our General Terms of Use for Downloads are valid (<http://phoenixcontact.com/download>)



SC-RJ panel mounting frame, IP67, for push-pull interlocking, metal, for transceiver, for square panel cutout, with grommet, without mounting screws



Key Commercial Data

Packing unit	1 pc
GTIN	 4 046356 131735
GTIN	4046356131735
Weight per Piece (excluding packing)	15.700 g
Custom tariff number	85389099
Country of origin	Germany

Technical data

Mechanical characteristics

Connection method	Push-Pull
Degree of pollution	2
Cable outlet	straight
Weight	14.5 g
Flammability rating according to UL 94	V0

Ambient conditions

Ambient temperature (operation)	-40 °C ... 80 °C
Ambient temperature (assembly)	0 °C ... 50 °C
Ambient temperature (storage/transport)	-40 °C ... 70 °C

Material data

Panel mounting frames - VS-PPC-F1-SCRJ-MNNA-1RP - 1608061

Technical data

Material data

Housing material	Zinc die-cast
Housing surface material	Nickel-plated
Width	22.2 mm
Height	42 mm

Electrical characteristics

Number of positions	2
Degree of pollution	2

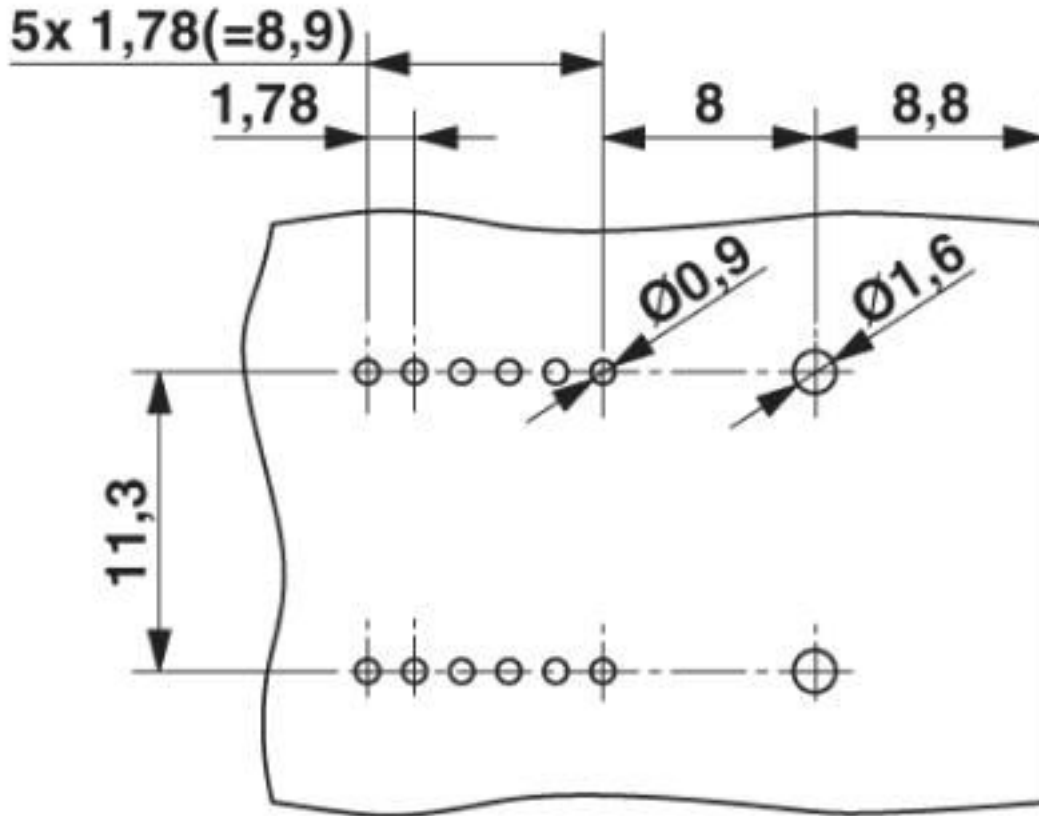
Standards and Regulations

Flame resistance	yes
Resistance to oil	yes
Flammability rating according to UL 94	V0

Drawings

Panel mounting frames - VS-PPC-F1-SCRJ-MNNA-1RP - 1608061

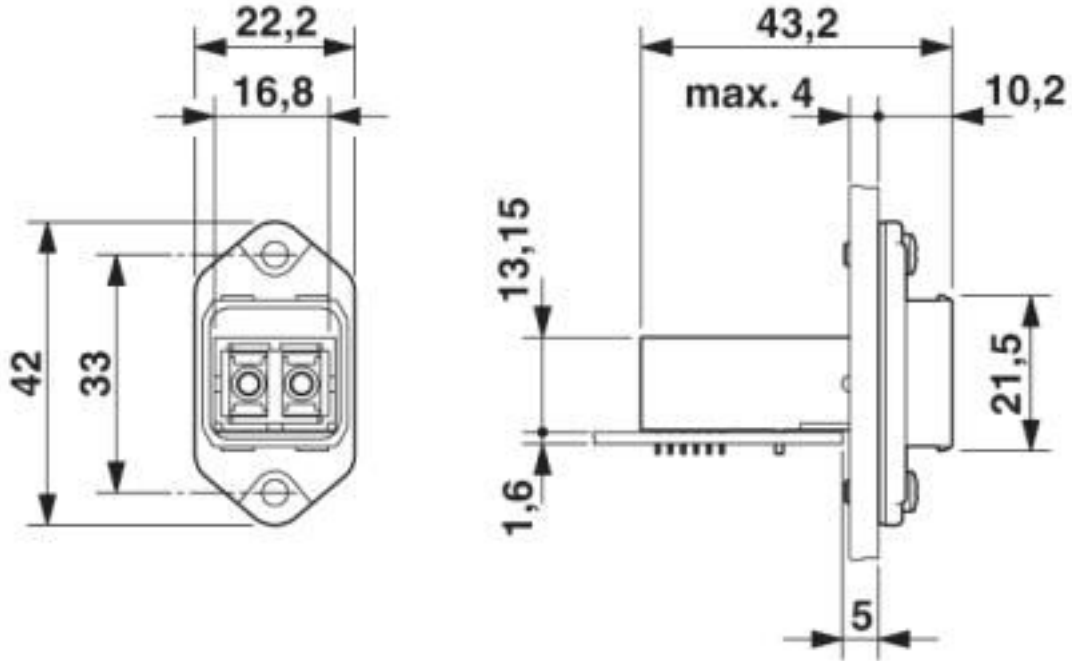
Drilling diagram



Drilling diagram

Panel mounting frames - VS-PPC-F1-SCRJ-MNNA-1RP - 1608061

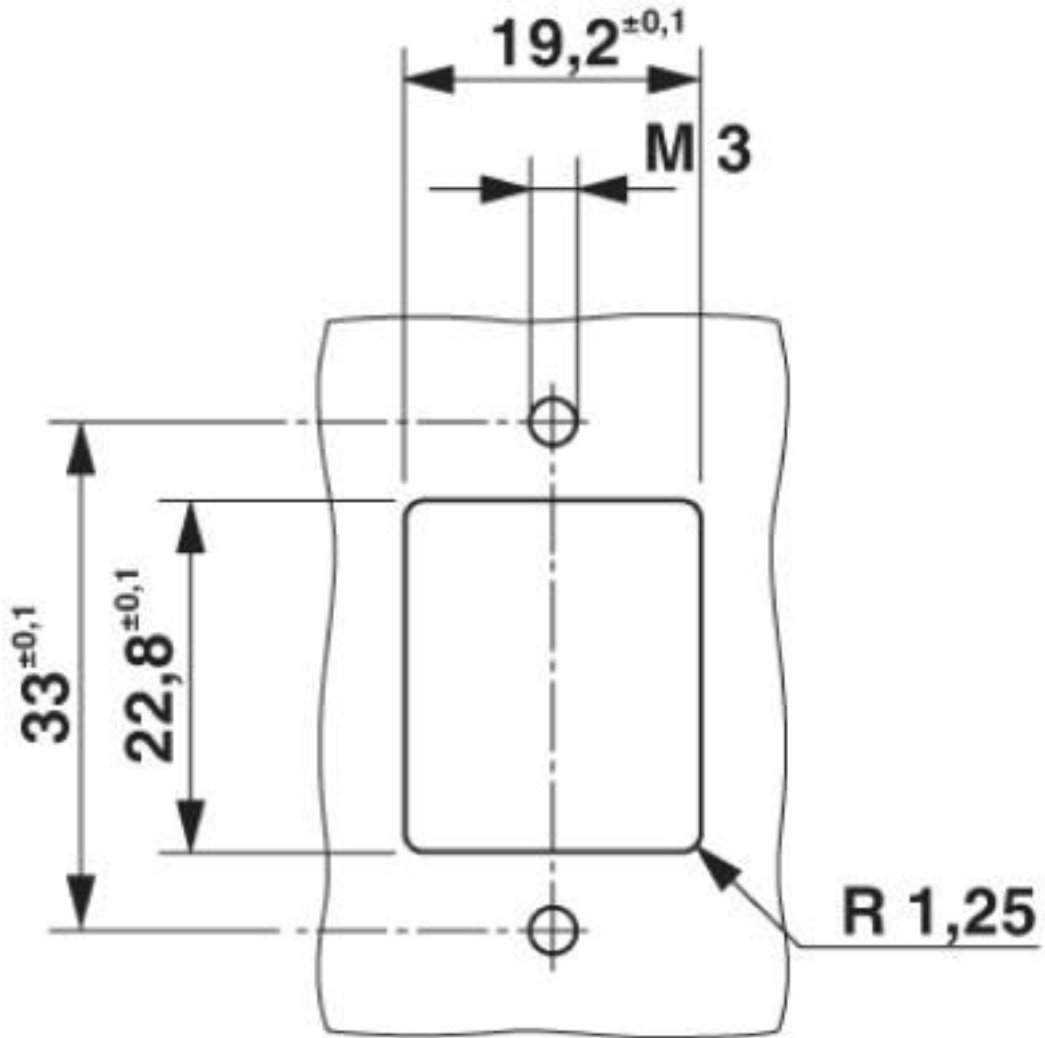
Dimensional drawing



Push-Pull SC-RJ panel mounting frame

Panel mounting frames - VS-PPC-F1-SCRJ-MNNA-1RP - 1608061

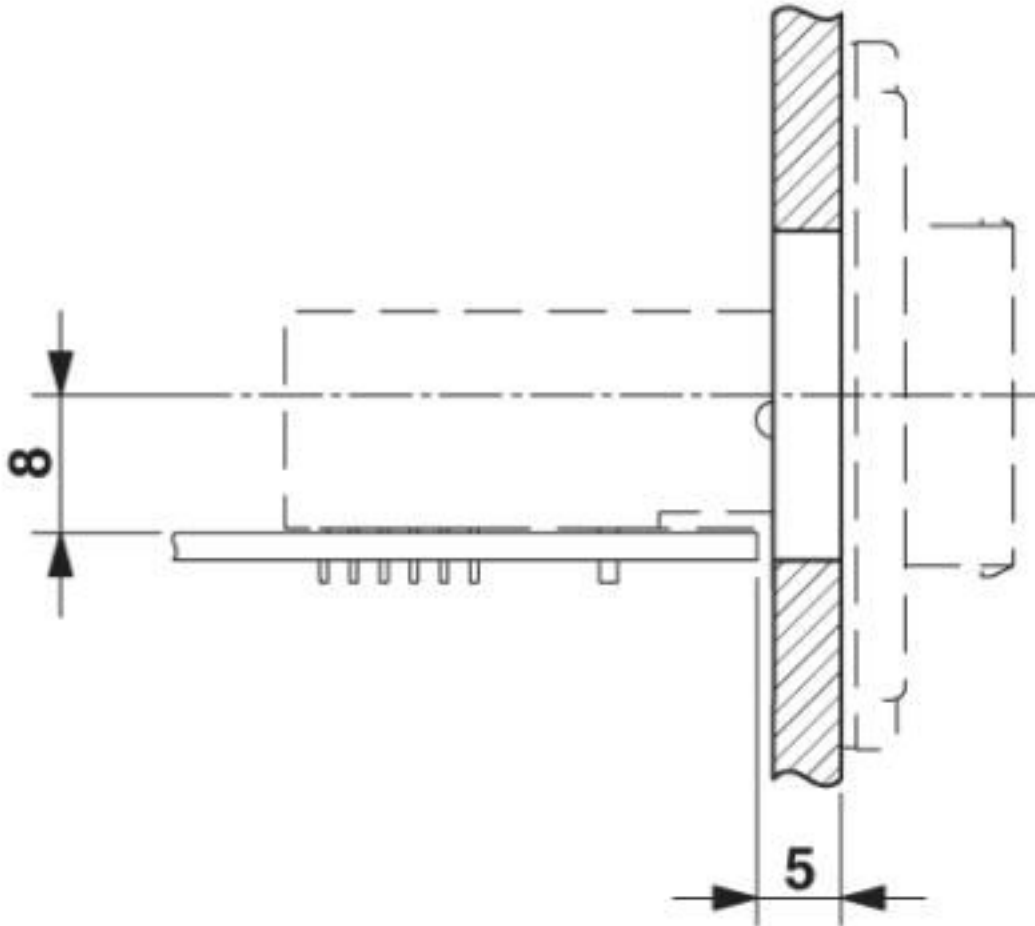
Dimensional drawing



Mounting cutout

Panel mounting frames - VS-PPC-F1-SCRJ-MNNA-1RP - 1608061

Dimensional drawing



Classifications

eCl@ss

eCl@ss 10.0.1	27440210
eCl@ss 4.0	24190200
eCl@ss 4.1	24190200
eCl@ss 5.0	27141100
eCl@ss 5.1	27141100
eCl@ss 6.0	27261200
eCl@ss 7.0	27440210
eCl@ss 8.0	27440210
eCl@ss 9.0	27440210

Panel mounting frames - VS-PPC-F1-SCRJ-MNNA-1RP - 1608061

Classifications

ETIM

ETIM 3.0	EC001121
ETIM 4.0	EC001121
ETIM 5.0	EC002310
ETIM 6.0	EC002310
ETIM 7.0	EC002310

UNSPSC

UNSPSC 6.01	31261501
UNSPSC 7.0901	31261501
UNSPSC 11	31261501
UNSPSC 12.01	31261501
UNSPSC 13.2	39121421
UNSPSC 18.0	39121421
UNSPSC 19.0	39121421
UNSPSC 20.0	39121421
UNSPSC 21.0	39121421

Approvals


Approvals

Approvals

EAC

Ex Approvals

Approval details

EAC		7500651.22.01.00246
-----	---	---------------------