

Panel mounting frames - VS-PPC-F1-RJ45-MNNA-1R-PHA - 1608029


Please be informed that the data shown in this PDF Document is generated from our Online Catalog. Please find the complete data in the user's documentation. Our General Terms of Use for Downloads are valid (<http://phoenixcontact.com/download>)



RJ45 panel mounting frame, IP67, for push-pull interlocking, metal, for PCB connection, for square panel cutout, with grommet, without mounting screws



Key Commercial Data

Packing unit	1 pc
GTIN	 4 046356 131698
GTIN	4046356131698
Weight per Piece (excluding packing)	17.300 g
Custom tariff number	85366990
Country of origin	Germany

Technical data

Mechanical characteristics

Degree of pollution	2
Locking type	Push Pull
Weight	16.8 g
Flammability rating according to UL 94	V0

Ambient conditions

Ambient temperature (operation)	-40 °C ... 70 °C
---------------------------------	------------------

Material data

Seal material	NBR
Housing material	Zinc die-cast
Housing surface material	Nickel-plated

Panel mounting frames - VS-PPC-F1-RJ45-MNNA-1R-PHA - 1608029

Technical data

Material data

Seal material	NBR
Width	22.2 mm
Height	42 mm
Length	18.8 mm
Housing surface material 1	Cu/Ni

Electrical characteristics

Degree of pollution	2
---------------------	---

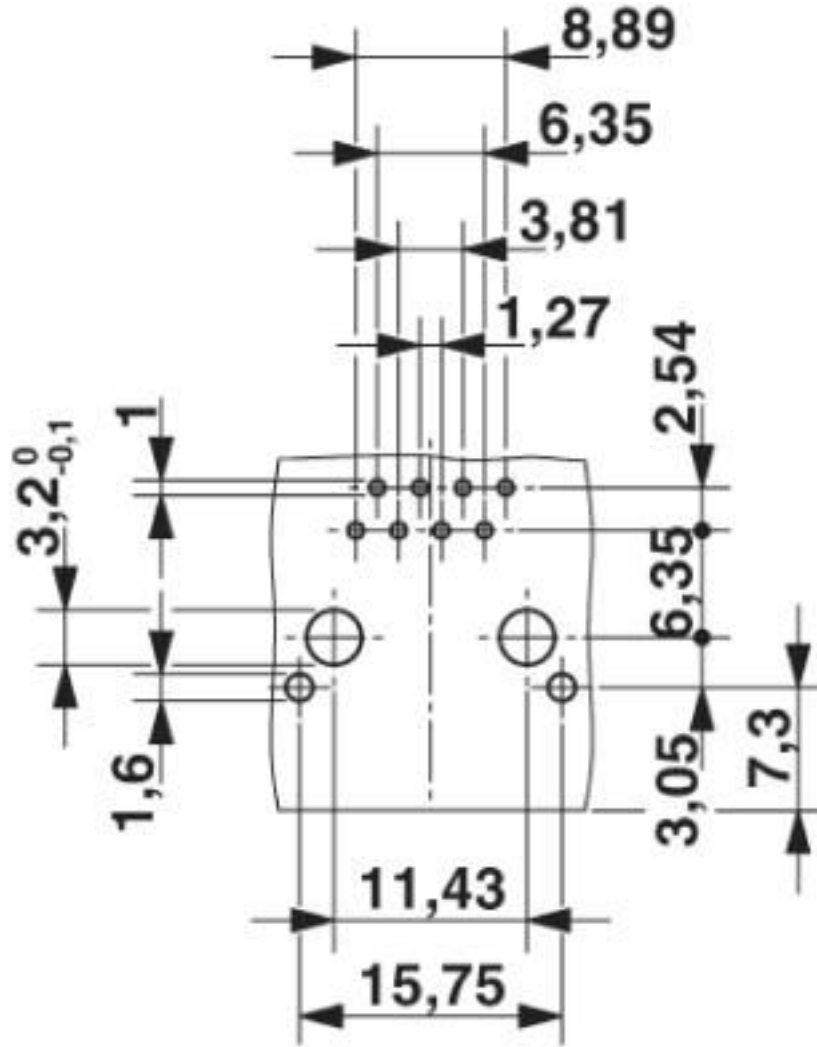
Standards and Regulations

Flammability rating according to UL 94	V0
--	----

Drawings

Panel mounting frames - VS-PPC-F1-RJ45-MNNA-1R-PHA - 1608029

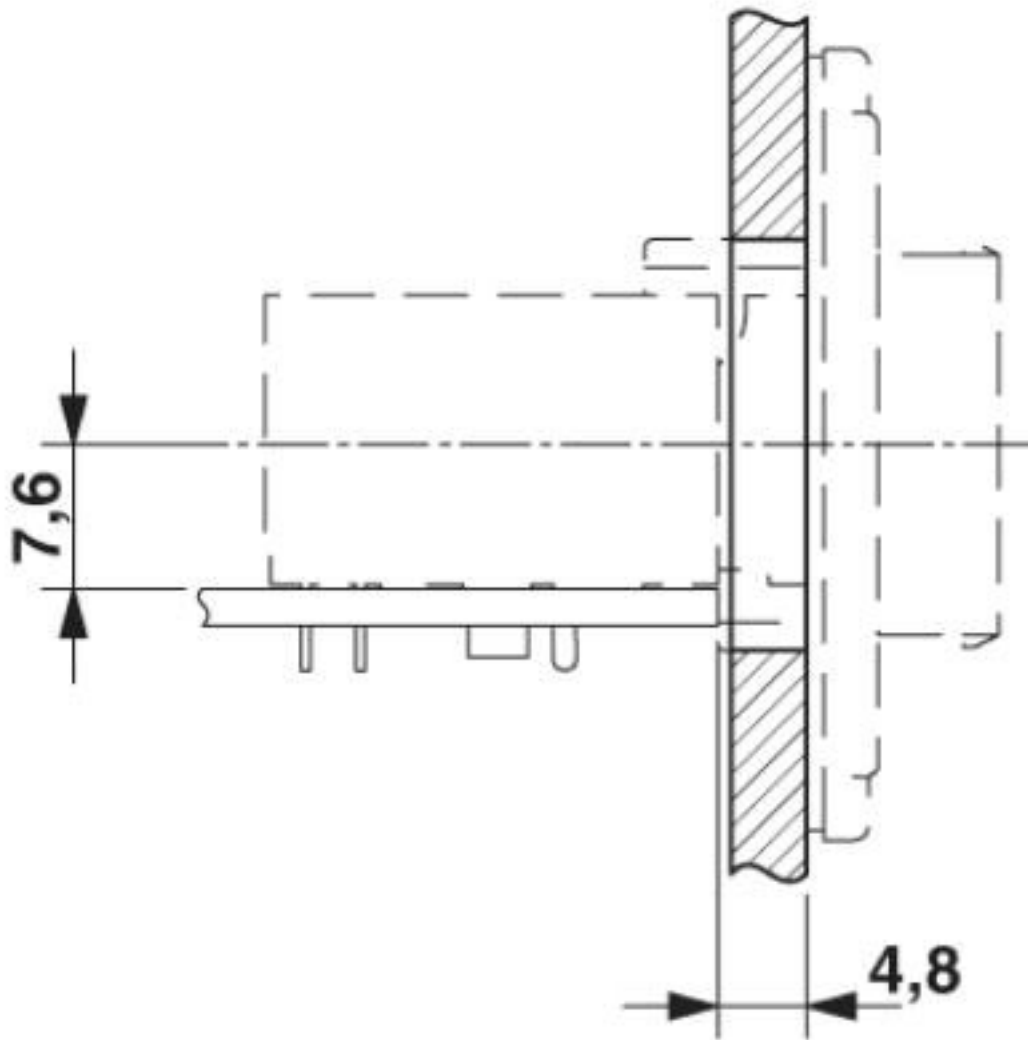
Drilling diagram



Drilling diagram

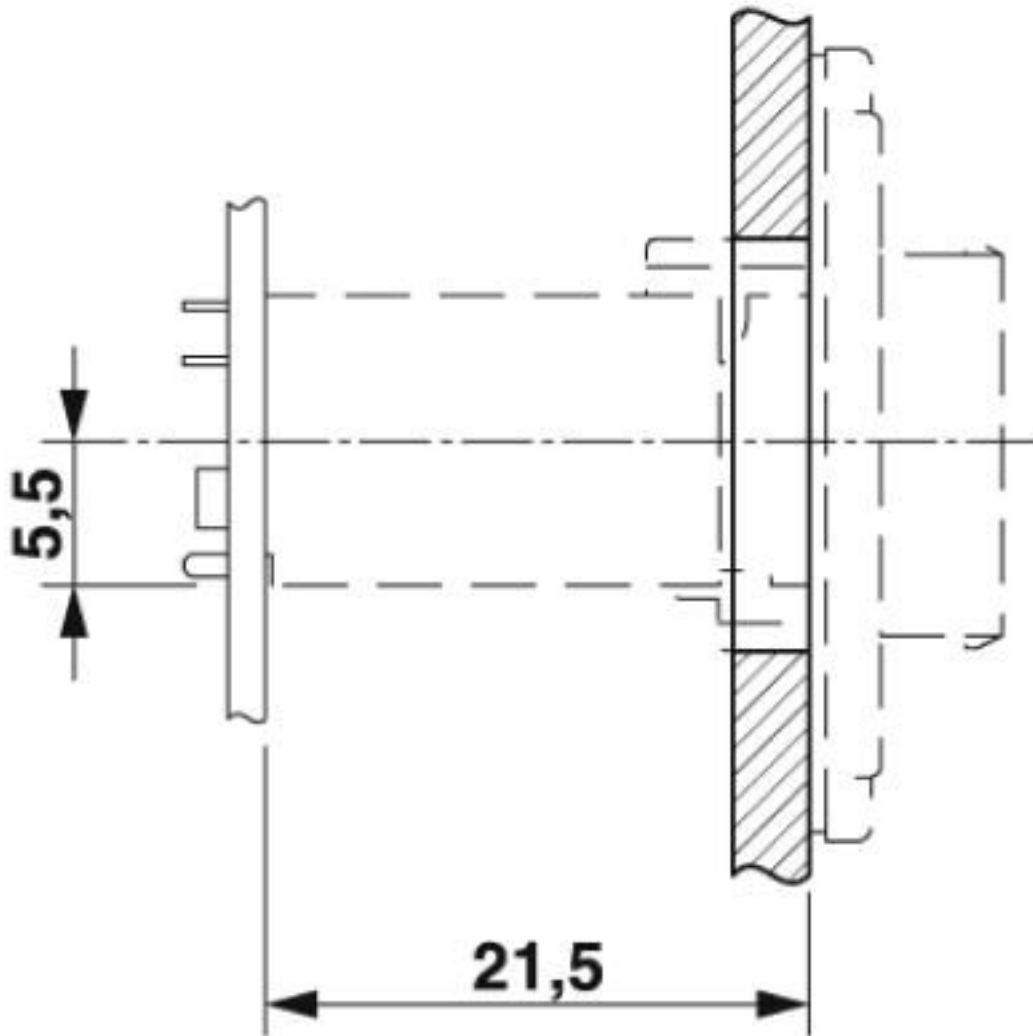
Panel mounting frames - VS-PPC-F1-RJ45-MNNA-1R-PHA - 1608029

Dimensional drawing



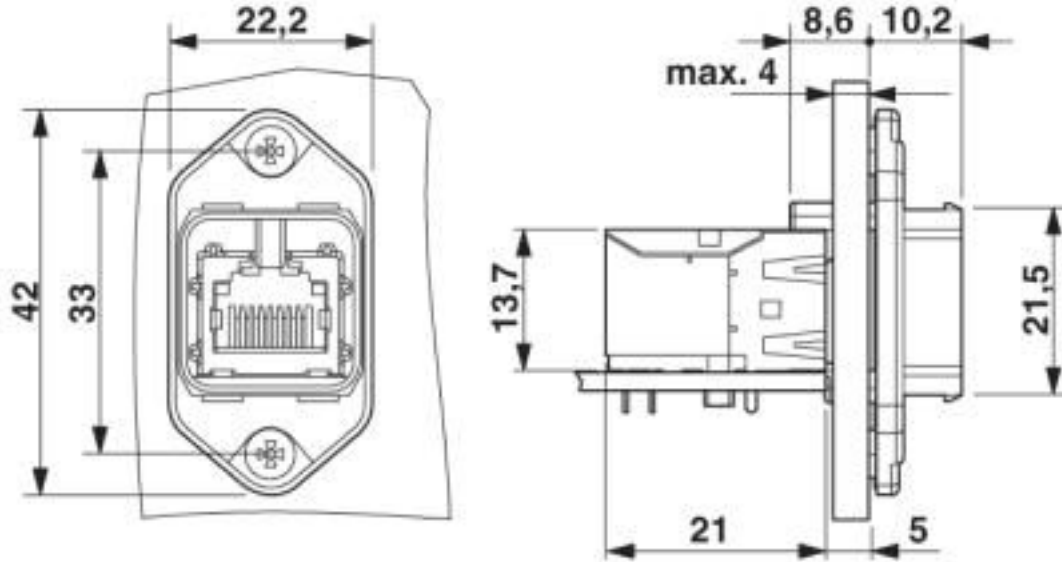
Panel mounting frames - VS-PPC-F1-RJ45-MNNA-1R-PHA - 1608029

Dimensional drawing



Panel mounting frames - VS-PPC-F1-RJ45-MNNA-1R-PHA - 1608029

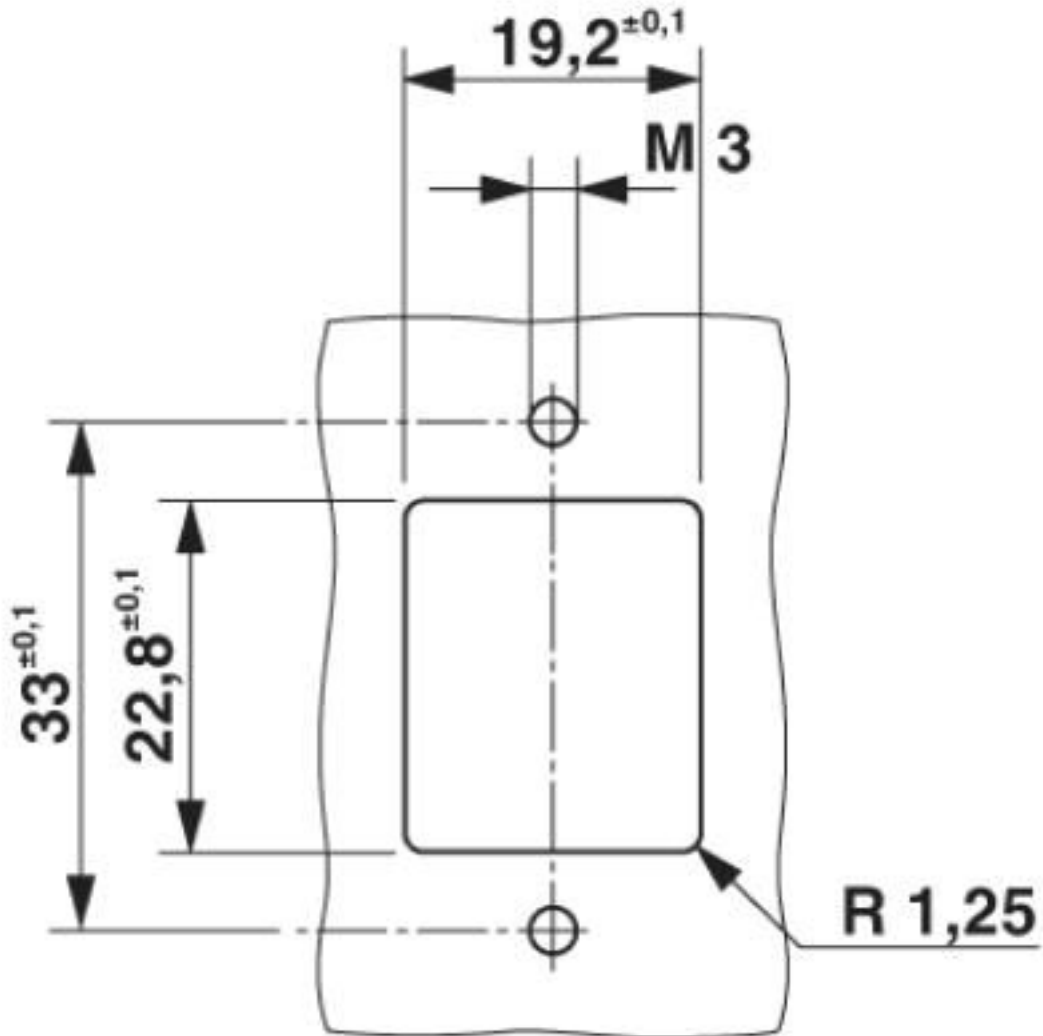
Dimensional drawing



Push-Pull panel mounting frame RJ45

Panel mounting frames - VS-PPC-F1-RJ45-MNNA-1R-PHA - 1608029

Dimensional drawing



Mounting cutout

Classifications

eCl@ss

eCl@ss 10.0.1	27440210
eCl@ss 4.0	27260700
eCl@ss 4.1	27260700
eCl@ss 5.0	27260700
eCl@ss 5.1	27260700

Panel mounting frames - VS-PPC-F1-RJ45-MNNA-1R-PHA - 1608029

Classifications

eCl@ss

eCl@ss 6.0	27261200
eCl@ss 7.0	27440210
eCl@ss 8.0	27440210
eCl@ss 9.0	27440210

ETIM

ETIM 3.0	EC001121
ETIM 4.0	EC001121
ETIM 5.0	EC002310
ETIM 6.0	EC002310
ETIM 7.0	EC002310

UNSPSC

UNSPSC 6.01	31261501
UNSPSC 7.0901	31261501
UNSPSC 11	31261501
UNSPSC 12.01	31261501
UNSPSC 13.2	39121421
UNSPSC 18.0	39121421
UNSPSC 19.0	39121421
UNSPSC 20.0	39121421
UNSPSC 21.0	39121421

Approvals


Approvals

Approvals

EAC

Ex Approvals

Approval details

EAC		B.01742
-----	---	---------

Panel mounting frames - VS-PPC-F1-RJ45-MNNA-1R-PHA - 1608029

Accessories

Accessories

Female insert

RJ45 PCB connectors - VS-08-BU-RJ45-6/LH-1 - 1653087



RJ45 PCB connectors, type: RJ45, degree of protection: IP20, number of positions: 8, 1 Gbps, CAT5 (IEC 11801:2002), connection method: Solder connection

RJ45 PCB connectors - VS-08-BU-RJ45-6/LV-1 - 1653090



RJ45 socket insert, for PCB assembly, CAT6, 8-pos., shielded, with straight solder pins, 1x