

## Cable connector - SL-5ES1N8A8001 - 1607501

Please be informed that the data shown in this PDF Document is generated from our Online Catalog. Please find the complete data in the user's documentation. Our General Terms of Use for Downloads are valid (<http://phoenixcontact.com/download>)



Cable connector, straight, Screw locking, M58, number of positions: 2+3+PE, type of contact: Socket, Crimp connection, shielded: yes, cable diameter range: 25 mm ... 36 mm

The figure shows the 8-pos. (4+3+PE) product version

### Your advantages

- ✓ Consistent EMC protection for reliable connection solutions in the industrial environment
- ✓ Crimping connection: vibration- and temperature-resistant assembly
- ✓ Reliable transmission of high electrical power



### Key Commercial Data

Packing unit	1 pc
GTIN	 4 046356 271660
GTIN	4046356271660
Weight per Piece (excluding packing)	834.300 g
Custom tariff number	85366990
Country of origin	Germany

### Technical data

#### General

Note	Order information: Order crimp contacts 2 x Ø 1.6 mm, 4 x Ø 10 mm separately
Type of locking	Screw locking
Coding	N
Contact connection method	Crimp connection
Type of contacts	Socket

# Cable connector - SL-5ES1N8A8001 - 1607501

## Technical data

### General

Number of positions	6
Contact diameter of power contacts	10 mm
Rated current for power contacts	150 A
Contact diameter of signal contacts	1.6 mm
Nominal current per signal contact	12 A
Conductor entry	25 mm ... 36 mm
Pg housing screw connection	none

### Ambient conditions

Ambient temperature	-40 °C ... 120 °C
Degree of protection	IP67

### Material

Housing material	Aluminum
Insulator material	PA 6.6
Gasket and O-ring material	FPM

### Specifications according to DIN EN 61984:2001

Installation height max.	2000 m
Nominal / operating voltage of power contacts	630 V
Rated surge voltage of power contacts	6 kV
Overvoltage category of power contacts	III
Degree of pollution of power contacts	3
Nominal / operating voltage of signal contacts	250 V
Rated surge voltage of signal contacts	4 kV
Overvoltage category of signal contacts	III
Degree of pollution of signal contacts	3

### Standards and Regulations

Safety note	WARNING: The connectors may not be plugged in or disconnected under load. Ignoring the warning or improper use may damage persons and/or property.
	• WARNING: Commission properly functioning products only. The products must be regularly inspected for damage. Decommission defective products immediately. Replace damaged products. Repairs are not possible.
	• WARNING: Only electrically qualified personnel may install and operate the product. They must observe the following safety notes. The qualified personnel must be familiar with the basics of electrical engineering. They must be able to recognize and prevent danger. The relevant symbol on the packaging indicates that only personnel familiar with electrical engineering are allowed to install and operate the product.
	• The products are suitable for applications in plant, controller, and electrical device engineering.

## Cable connector - SL-5ES1N8A8001 - 1607501

### Technical data

#### Standards and Regulations

	<ul style="list-style-type: none"> <li>When operating the connectors in outdoor applications, they must be separately protected against environmental influences.</li> </ul>
	<ul style="list-style-type: none"> <li>Assembled products may not be manipulated or improperly opened.</li> </ul>
	<ul style="list-style-type: none"> <li>Only use mating connectors that are specified in the technical data of the standards listed (e.g. the ones listed in the product accessories online at <a href="http://phoenixcontact.com/products">phoenixcontact.com/products</a>).</li> </ul>
	<ul style="list-style-type: none"> <li>When using the product in direct connection with third-party manufacturers, the user is responsible.</li> </ul>
	<ul style="list-style-type: none"> <li>For operating voltages &gt; 50 V AC, conductive connector housings must be grounded</li> </ul>
	<ul style="list-style-type: none"> <li>Ensure that the protective or functional ground has been properly connected.</li> </ul>
	<ul style="list-style-type: none"> <li>VDE 0100/1.97 § 411.1.3.2 and DIN EN 60 204/11.98 § 14.1.3 are applicable when combining several circuits in a cable and/or connector</li> </ul>
	<ul style="list-style-type: none"> <li>Only use tools recommended by Phoenix Contact</li> </ul>
	<ul style="list-style-type: none"> <li>The installation notes/Design In documents online on the download page at <a href="http://phoenixcontact.com/products">phoenixcontact.com/products</a> must be observed for this product.</li> </ul>
	<ul style="list-style-type: none"> <li>Operate the connector only when it is fully plugged in and interlocked.</li> </ul>
	<ul style="list-style-type: none"> <li>Ensure that when laying the cable, the tensile load on the connectors does not exceed the upper limit specified in the standards.</li> </ul>
	<ul style="list-style-type: none"> <li>Observe the minimum bending radius of the cable. Lay the cable without twisting it.</li> </ul>
	<ul style="list-style-type: none"> <li>The connector warms up in normal operation. Depending on the ambient conditions, the surface of the connector can continue to warm up. In this case, the user is responsible for posting warnings (e.g. DIN EN ISO 13732-1:2008-12).</li> </ul>

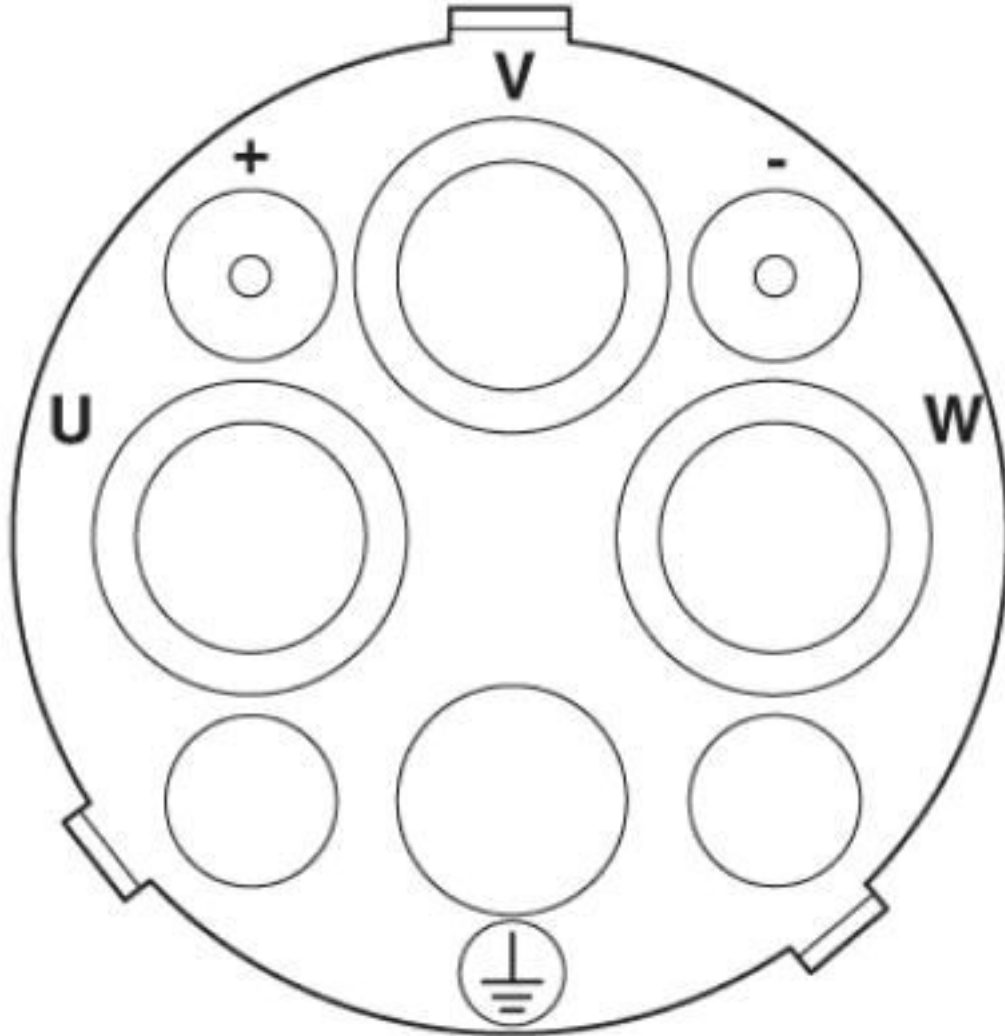
#### Environmental Product Compliance

REACH SVHC	Lead 7439-92-1
China RoHS	Environmentally Friendly Use Period = 50 years
	For details about hazardous substances go to tab "Downloads", Category "Manufacturer's declaration"

### Drawings

# Cable connector - SL-5ES1N8A8001 - 1607501

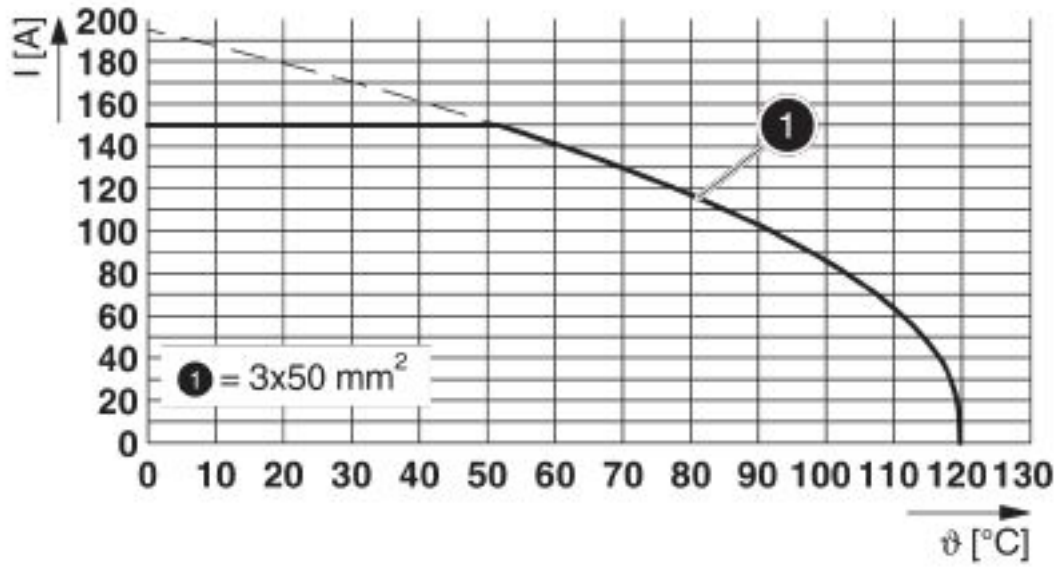
Schematic diagram



Connector pin assignment

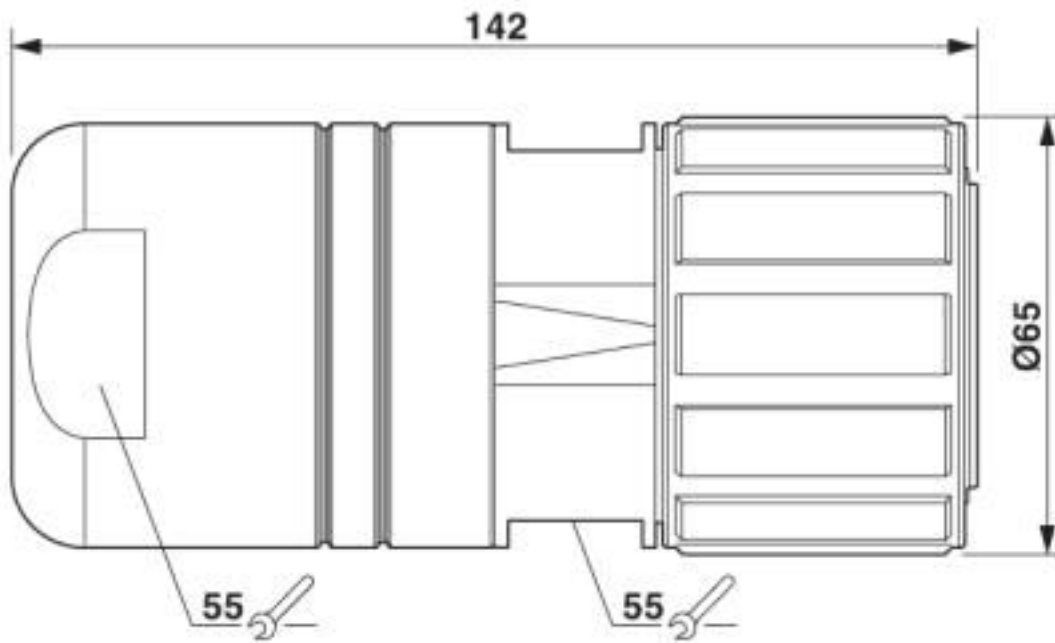
# Cable connector - SL-5ES1N8A8001 - 1607501

Diagram



I = current strength, T = ambient temperature

Dimensional drawing



Dimensional drawing

# Cable connector - SL-5ES1N8A8001 - 1607501

## Classifications

### eCl@ss

eCl@ss 10.0.1	27440102
eCl@ss 4.0	27260700
eCl@ss 4.1	27260700
eCl@ss 5.0	27260700
eCl@ss 5.1	27260700
eCl@ss 6.0	27260700
eCl@ss 7.0	27440102
eCl@ss 8.0	27440102
eCl@ss 9.0	27440102

### ETIM

ETIM 3.0	EC001121
ETIM 4.0	EC001121
ETIM 5.0	EC002635
ETIM 6.0	EC002061

### UNSPSC

UNSPSC 6.01	43172015
UNSPSC 7.0901	43201404
UNSPSC 11	43172015
UNSPSC 12.01	43201404
UNSPSC 13.2	39121413
UNSPSC 18.0	39121413
UNSPSC 19.0	39121413
UNSPSC 20.0	39121413
UNSPSC 21.0	39121413

## Approvals

### Approvals

---

Approvals

EAC

---

Ex Approvals

---

## Cable connector - SL-5ES1N8A8001 - 1607501

### Approvals

#### Approval details

EAC		B.01687
-----	--	---------

### Accessories

#### Accessories

#### Crimp contact

Crimp contact - SL-1CKS010 - 1607916



Crimp contact, turned, contact diameter: 10 mm, crimp range: 10 mm<sup>2</sup> ... 10 mm<sup>2</sup>

Crimp contact - SL-1CKS020 - 1607917



Crimp contact, turned, contact diameter: 10 mm, crimp range: 16 mm<sup>2</sup> ... 16 mm<sup>2</sup>

Crimp contact - SL-1CKS030 - 1607918



Crimp contact, turned, contact diameter: 10 mm, crimp range: 25 mm<sup>2</sup> ... 25 mm<sup>2</sup>

Crimp contact - SL-1CKS040 - 1607919



Crimp contact, turned, contact diameter: 10 mm, crimp range: 35 mm<sup>2</sup> ... 35 mm<sup>2</sup>

## Cable connector - SL-5ES1N8A8001 - 1607501

### Accessories

Crimp contact - SL-1CKS050 - 1607920



Crimp contact, turned, contact diameter: 10 mm, crimp range: 50 mm<sup>2</sup> ... 50 mm<sup>2</sup>

---

Crimp contact - SL-16KS010 - 1607956



Crimp contact, turned, contact diameter: 1.6 mm, crimp range: 0.75 mm<sup>2</sup> ... 1.5 mm<sup>2</sup>

---

---