

## Screw - HC-B-PES - 1604997


Please be informed that the data shown in this PDF Document is generated from our Online Catalog. Please find the complete data in the user's documentation. Our General Terms of Use for Downloads are valid (<http://phoenixcontact.com/download>)



PE screw, for contact inserts HC-B / HC-BB / HC-DD / HC-D40 / HC-D64



### Key Commercial Data

Packing unit	1 pc
Minimum order quantity	10 pc
GTIN	 4 017918 893354
GTIN	4017918893354
Weight per Piece (excluding packing)	1.970 g
Custom tariff number	73181552
Country of origin	China

### Technical data

#### General

Size	PE screw
Material	Steel, galvanized
Note	PE screw, for contact inserts HC-B / HC-BB / HC-DD / HC-D40 / HC-D64, M4

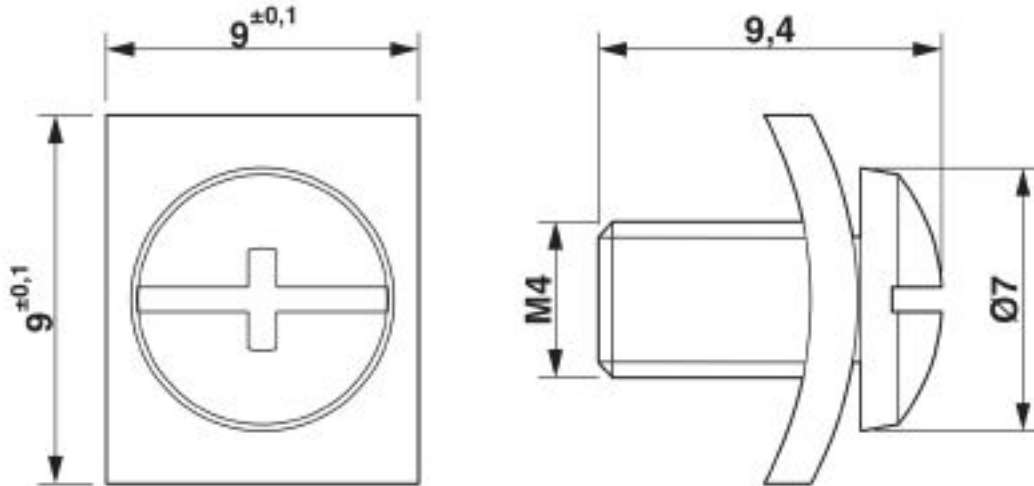
#### Environmental Product Compliance

China RoHS	Environmentally friendly use period: unlimited = EFUP-e
	No hazardous substances above threshold values

### Drawings

# Screw - HC-B-PES - 1604997

Dimensional drawing



Dimensional drawing

## Classifications

eCl@ss

eCl@ss 10.0.1	23110190
eCl@ss 4.0	27140800
eCl@ss 4.1	27140800
eCl@ss 5.0	27143400
eCl@ss 5.1	23110100
eCl@ss 6.0	23110100
eCl@ss 7.0	23110190
eCl@ss 8.0	23110190
eCl@ss 9.0	23110190

ETIM

ETIM 2.0	EC001121
ETIM 3.0	EC001121
ETIM 4.0	EC002848
ETIM 5.0	EC000887
ETIM 6.0	EC000887
ETIM 7.0	EC000887

UNSPSC

UNSPSC 6.01	30211817
UNSPSC 7.0901	39121416

## Screw - HC-B-PES - 1604997

### Classifications

#### UNSPSC

UNSPSC 11	43172601
UNSPSC 12.01	39121522
UNSPSC 13.2	39121522