

Screw - HC-A-PES - 1584868

Please be informed that the data shown in this PDF Document is generated from our Online Catalog. Please find the complete data in the user's documentation. Our General Terms of Use for Downloads are valid (<http://phoenixcontact.com/download>)



PE screw for contact inserts of A series



COMPLETE

Key Commercial Data

Packing unit	1 pc
Minimum order quantity	10 pc
GTIN	 4 046356 155021
GTIN	4046356155021
Weight per Piece (excluding packing)	1.200 g
Custom tariff number	73181552
Country of origin	China

Technical data

General

Size	PE screw
Material	Steel, galvanized
Note	PE screw, for contact inserts HC-A 10, HC-A 16, HC-D 15, HC-D 25

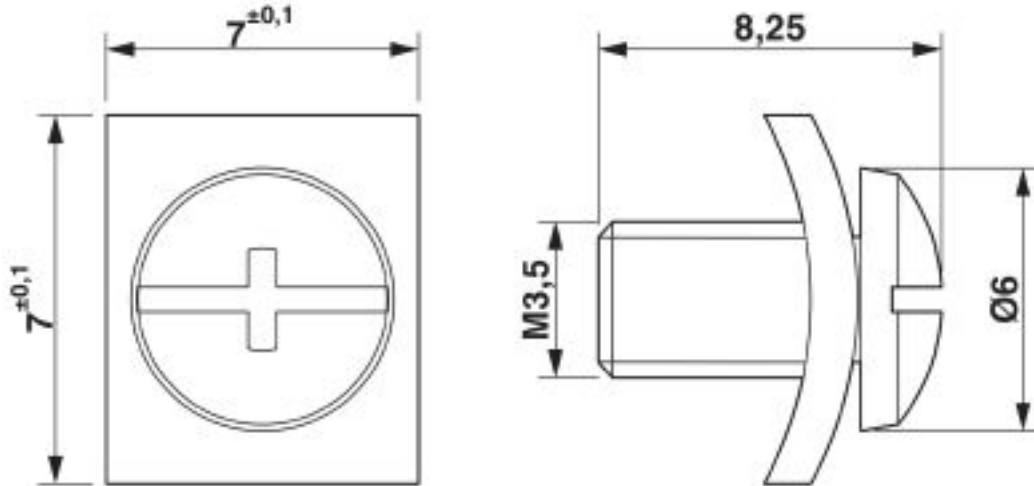
Environmental Product Compliance

China RoHS	Environmentally friendly use period: unlimited = EFUP-e
	No hazardous substances above threshold values

Drawings

Screw - HC-A-PES - 1584868

Dimensional drawing



Dimensional drawing

Classifications

eCl@ss

eCl@ss 10.0.1	23110190
eCl@ss 4.0	27140800
eCl@ss 4.1	27140800
eCl@ss 5.0	27143400
eCl@ss 5.1	23110100
eCl@ss 6.0	23110100
eCl@ss 7.0	23110190
eCl@ss 8.0	23110190
eCl@ss 9.0	23110190

ETIM

ETIM 3.0	EC000814
ETIM 4.0	EC000814
ETIM 5.0	EC000887
ETIM 6.0	EC000887
ETIM 7.0	EC000887

UNSPSC

UNSPSC 6.01	30211817
UNSPSC 7.0901	39121416
UNSPSC 11	43172601

Screw - HC-A-PES - 1584868

Classifications

UNSPSC

UNSPSC 12.01	39121522
UNSPSC 13.2	39121522