

## Bus system flat-type plug - SACC-DSIV-M12MSD-4CON-L90 - 1434866


Please be informed that the data shown in this PDF Document is generated from our Online Catalog. Please find the complete data in the user's documentation. Our General Terms of Use for Downloads are valid (<http://phoenixcontact.com/download>)



Bus system flush-type connector, Ethernet, 4-pos., M12, shielded, D-coded, rear/screw mounting, with angled solder connection



### Key Commercial Data

Packing unit	1 pc
Minimum order quantity	10 pc
GTIN	 4 046356 410779
GTIN	4046356410779
Weight per Piece (excluding packing)	12.000 g
Custom tariff number	85369010
Country of origin	Germany

### Technical data

#### Ambient conditions

Ambient temperature (operation)	-25 °C ... 85 °C
Degree of protection	IP67

#### General

Note	This product corresponds to the PROFINET Cabling and Interconnection Technology Guideline for PROFINET regulations, version 2.00, order no: 2.252, Chapter 8.2 Connectors for Outside Environment (Balanced cabling)
Rated current at 40°C	4 A
Rated voltage	250 V
Number of positions	4
Insulation resistance	≥ 100 MΩ

## Bus system flat-type plug - SACC-DSIV-M12MSD-4CON-L90 - 1434866

### Technical data

#### General

Coding	D - data
Standards/regulations	M12 connector IEC 61076-2-101
Status display	No
Overvoltage category	II
Degree of pollution	3
Connection method	Solder pins
Mounting type	Rear mounting M12 x 1 With flat nut

#### Material

Flammability rating according to UL 94	HB
Contact material	CuZn
Contact surface material	Au
Contact carrier material	PA 6.6
Material, knurls	Nickel-plated brass
Sealing material	NBR

#### Cable

Standards/specifications	M12 connector IEC 61076-2-101
--------------------------	-------------------------------

#### Standards and Regulations

Standards/specifications	M12 connector IEC 61076-2-101
Flammability rating according to UL 94	HB

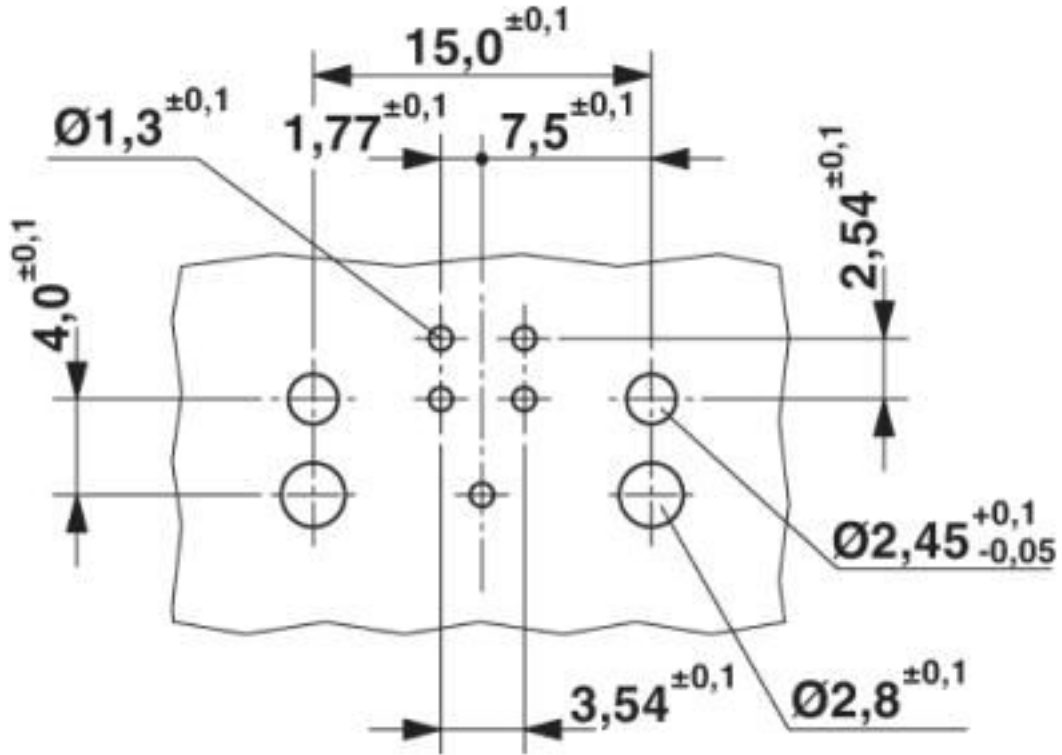
#### Environmental Product Compliance

REACH SVHC	Lead 7439-92-1
China RoHS	Environmentally Friendly Use Period = 25;
	For details about hazardous substances go to tab "Downloads", Category "Manufacturer's declaration"

### Drawings

# Bus system flat-type plug - SACC-DSIV-M12MSD-4CON-L90 - 1434866

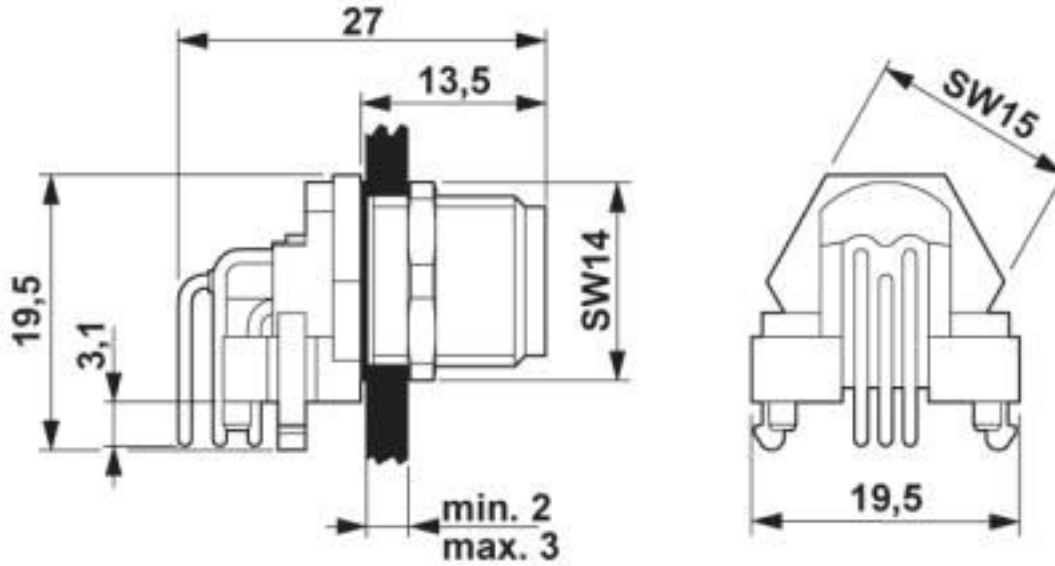
Drilling diagram



M12 flush-type connector

# Bus system flat-type plug - SACC-DSIV-M12MSD-4CON-L90 - 1434866

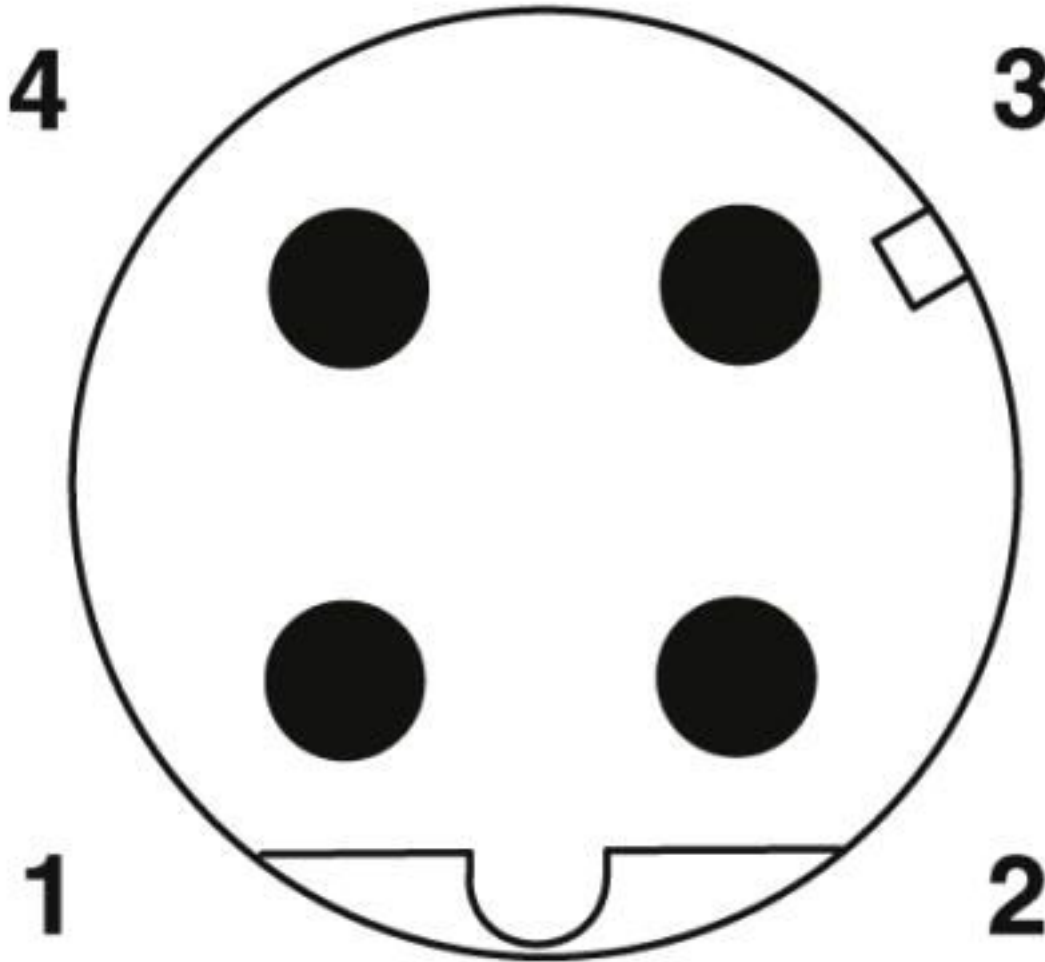
Dimensional drawing



M12 flush-type connector

# Bus system flat-type plug - SACC-DSIV-M12MSD-4CON-L90 - 1434866

Schematic diagram



Pin assignment M12 male connector, 4-pos., D-coded, male side

## Classifications

eCl@ss

eCl@ss 10.0.1	27440102
eCl@ss 4.0	27140800
eCl@ss 4.1	27140800
eCl@ss 5.0	27143400
eCl@ss 5.1	27143400
eCl@ss 6.0	27279200
eCl@ss 7.0	27440103

# Bus system flat-type plug - SACC-DSIV-M12MSD-4CON-L90 - 1434866

## Classifications

### eCl@ss

eCl@ss 8.0	27440103
eCl@ss 9.0	27440102

### ETIM

ETIM 3.0	EC001855
ETIM 4.0	EC000830
ETIM 5.0	EC002061
ETIM 6.0	EC002061

### UNSPSC

UNSPSC 6.01	31251501
UNSPSC 7.0901	31251501
UNSPSC 11	31251501
UNSPSC 12.01	31251501
UNSPSC 13.2	39121413
UNSPSC 18.0	39121413
UNSPSC 19.0	39121413
UNSPSC 20.0	39121413
UNSPSC 21.0	39121413

## Approvals

### Approvals

---

### Approvals

EAC

---

### Ex Approvals

---

### Approval details

EAC		B.01687
-----	--	---------