

Distributor - VS-ASI-J-Y-N-M12FS-LC - 1433155


Please be informed that the data shown in this PDF Document is generated from our Online Catalog. Please find the complete data in the user's documentation. Our General Terms of Use for Downloads are valid (<http://phoenixcontact.com/download>)



AS-Interface distributor with IP67 protection for one flat-ribbon conductor, with a straight, A-coded, 2-pos. M12 socket



Key Commercial Data

Packing unit	1 pc
GTIN	 4 046356 346245
GTIN	4046356346245
Weight per Piece (excluding packing)	17.870 g
Custom tariff number	85366990
Country of origin	Germany

Technical data

Ambient conditions

Degree of protection	IP67
Ambient temperature (operation)	-25 °C ... 70 °C
Ambient temperature (storage/transport)	-25 °C ... 70 °C

General data

Rated current at 40°C	4 A
Rated voltage	≤ 32 V DC
Number of positions	2
Standards/regulations	M12 connector IEC 61076-2-101
Overvoltage category	II
Degree of pollution	3
Connection method	AS-i penetration technique

Distributor - VS-ASI-J-Y-N-M12FS-LC - 1433155

Technical data

Characteristics head 1

Head type	Load center AS-i Screw locking
No. of positions (pin connector pattern)	2
Material (component)	CuZn (Contact)
	Sn (Contact surface)
	PA (Contact carriers)
	PA (Housing)
Type type, socket side	Socket, straight

Characteristics head 2

Color	black
-------	-------

Standards and Regulations

Standards/specifications	M12 connector IEC 61076-2-101
--------------------------	-------------------------------

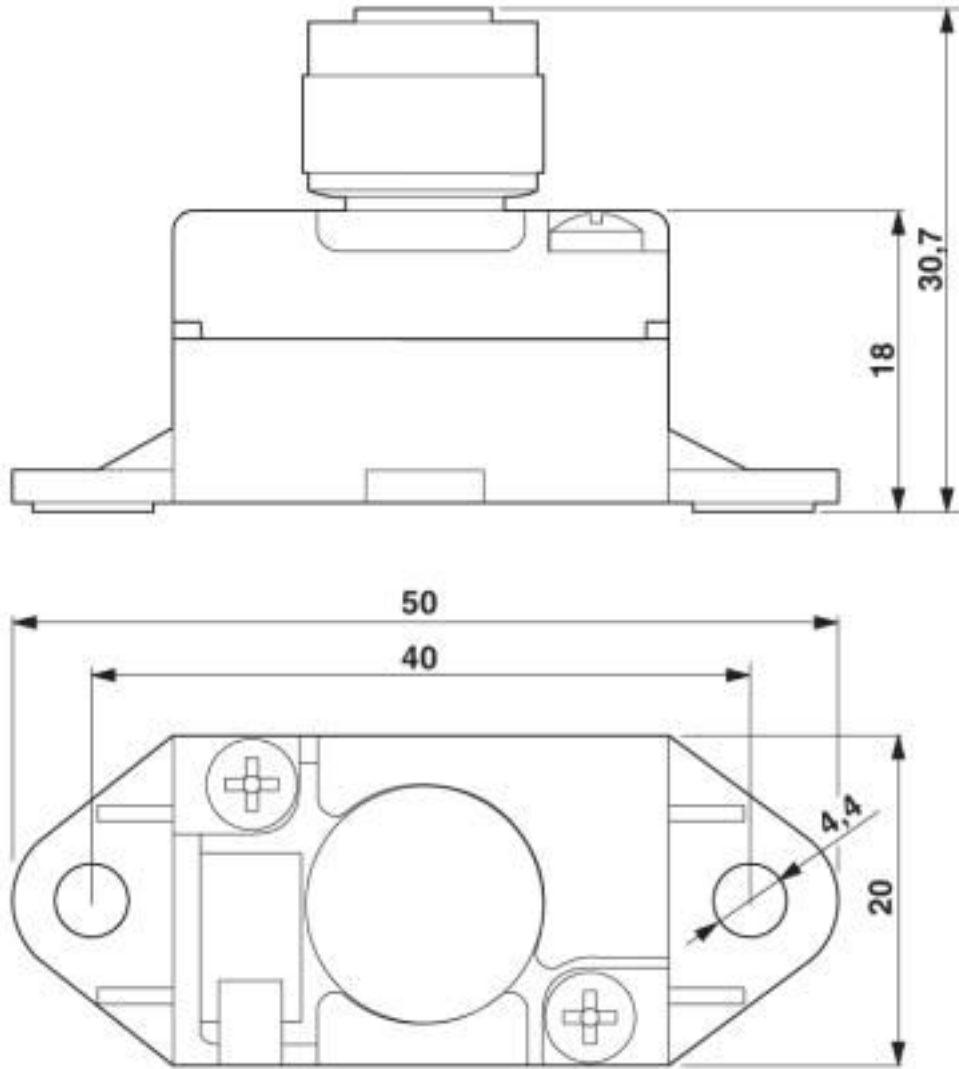
Environmental Product Compliance

REACH SVHC	Lead 7439-92-1
China RoHS	Environmentally Friendly Use Period = 50 years
	For details about hazardous substances go to tab "Downloads", Category "Manufacturer's declaration"

Drawings

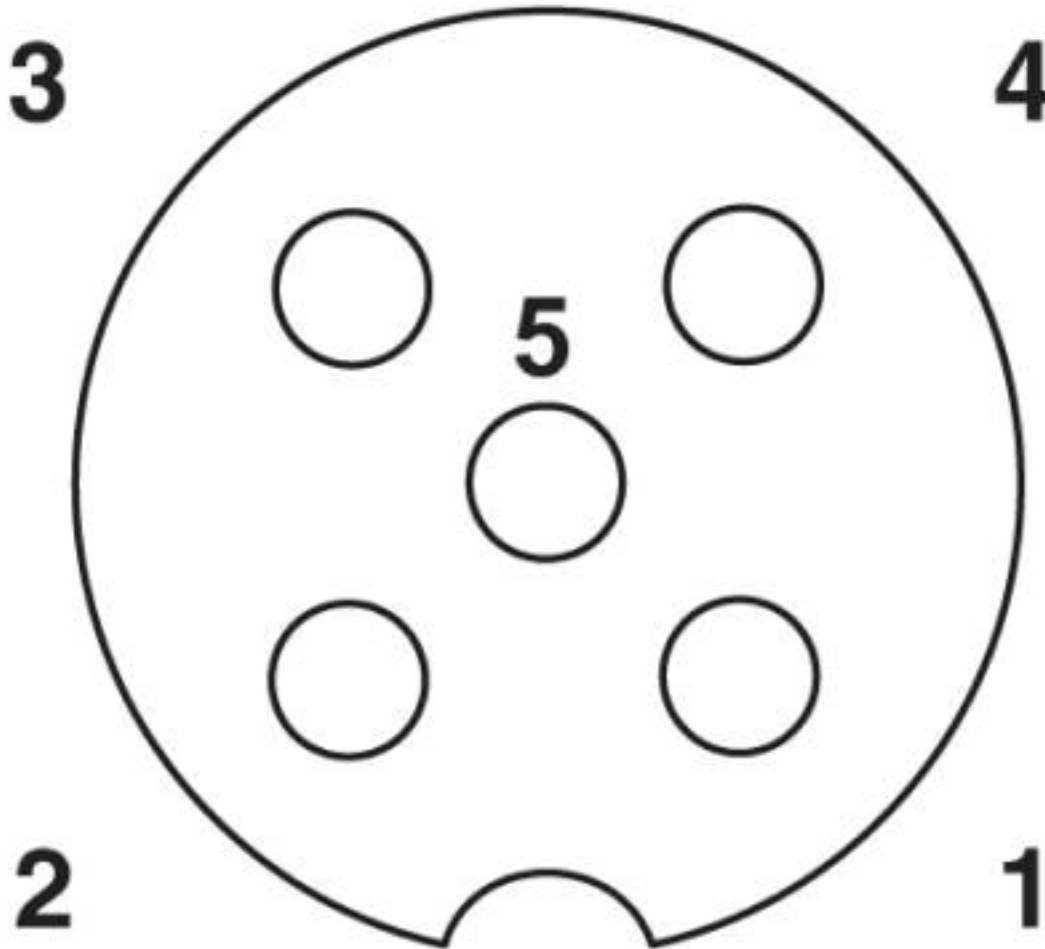
Distributor - VS-ASI-J-Y-N-M12FS-LC - 1433155

Dimensional drawing



Distributor - VS-ASI-J-Y-N-M12FS-LC - 1433155

Schematic diagram



Pin assignment M12, PIN 1: AS-i +, PIN 3: AS-i -, PIN 2,4,5: Not used

Classifications

eCl@ss

eCl@ss 10.0.1	27440106
eCl@ss 4.0	27140800
eCl@ss 4.1	27140800
eCl@ss 5.0	27143400
eCl@ss 5.1	27143400
eCl@ss 6.0	27143400
eCl@ss 7.0	27449001
eCl@ss 8.0	27279219

Distributor - VS-ASI-J-Y-N-M12FS-LC - 1433155

Classifications

eCl@ss

eCl@ss 9.0	27440106
------------	----------

ETIM

ETIM 2.0	EC000200
ETIM 3.0	EC001856
ETIM 4.0	EC000313
ETIM 5.0	EC000313
ETIM 6.0	EC002925
ETIM 7.0	EC002925

UNSPSC

UNSPSC 6.01	31261501
UNSPSC 7.0901	31261501
UNSPSC 11	31261501
UNSPSC 12.01	31261501
UNSPSC 13.2	43222814
UNSPSC 19.0	31251501
UNSPSC 20.0	31251501
UNSPSC 21.0	31251501

Accessories

Accessories

Plug for cable screw gland

Screw plug - PROT-M12 - 1680539



An M12 screw plug for the unoccupied M12 sockets of the sensor/actuator cable, boxes and flush-type connectors

Screw plug - PROT-MS SCO - 1553129



Distributor - VS-ASI-J-Y-N-M12FS-LC - 1433155

Accessories

Screwdriver tools

Screwdriver - SZK PH1 VDE - 1205150



Screwdriver, PH crosshead, VDE insulated, size: PH 1 x 80 mm, 2-component grip, with non-slip grip

Sensor/actuator cable

Sensor/actuator cable - SAC-4P-MS/ 0,3-186/FS SCO - 1555680



Sensor/actuator cable, 4-position, PUR, black-gray RAL 7021, Plug straight M12 SPEEDCON, coding: A, on Socket straight M12 SPEEDCON, coding: A, cable length: 0.3 m

Sensor/actuator cable - SAC-4P-MS/ 0,5-186/FS SCO - 1555693



Sensor/actuator cable, 4-position, PUR, black-gray RAL 7021, Plug straight M12 SPEEDCON, coding: A, on Socket straight M12 SPEEDCON, coding: A, cable length: 0.5 m

Sensor/actuator cable - SAC-4P-MS/ 1,0-186/FS SCO - 1555703



Sensor/actuator cable, 4-position, PUR, black-gray RAL 7021, Plug straight M12 SPEEDCON, coding: A, on Socket straight M12 SPEEDCON, coding: A, cable length: 1 m

Sensor/actuator cable - SAC-4P-MS/ 2,0-186/FS SCO - 1555716



Sensor/actuator cable, 4-position, PUR, black-gray RAL 7021, Plug straight M12 SPEEDCON, coding: A, on Socket straight M12 SPEEDCON, coding: A, cable length: 2 m

Distributor - VS-ASI-J-Y-N-M12FS-LC - 1433155

Accessories

Sensor/actuator cable - SAC-4P-MS/ 5,0-186/FS SCO - 1555729



Sensor/actuator cable, 4-position, PUR, black-gray RAL 7021, Plug straight M12 SPEEDCON, coding: A, on Socket straight M12 SPEEDCON, coding: A, cable length: 5 m

Sensor/actuator cable - SAC-4P-MS/10,0-186/FS SCO - 1555732



Sensor/actuator cable, 4-position, PUR, black-gray RAL 7021, Plug straight M12 SPEEDCON, coding: A, on Socket straight M12 SPEEDCON, coding: A, cable length: 10 m

Sensor/actuator cable - SAC-4P-MS/15,0-186/FS SCO - 1555745



Sensor/actuator cable, 4-position, PUR, black-gray RAL 7021, Plug straight M12 SPEEDCON, coding: A, on Socket straight M12 SPEEDCON, coding: A, cable length: 15 m
