

## Screw plug - PROT-M12 MS-PA-CHAIN - 1430899

Please be informed that the data shown in this PDF Document is generated from our Online Catalog. Please find the complete data in the user's documentation. Our General Terms of Use for Downloads are valid (<http://phoenixcontact.com/download>)

M12 sealing cap with fixing band, for sensor cables, for free M12 sockets



RoHS

### Key Commercial Data

Packing unit	1 pc
Minimum order quantity	5 pc
GTIN	 4 046356 332835
GTIN	4046356332835
Weight per Piece (excluding packing)	4.600 g
Custom tariff number	39269097
Country of origin	Germany

### Technical data

#### Ambient conditions

Ambient temperature (operation)	-25 °C ... 85 °C
Degree of protection	IP65
	IP67

#### General

Note	Not suitable for M12 sockets with K, L, or M coding
------	---

#### Material

Flammability rating according to UL 94	V0
Material	PA 6.6 GF
Sealing material	NBR

# Screw plug - PROT-M12 MS-PA-CHAIN - 1430899

## Technical data

### Material

Additional material specifications	PUR (Holding band)
------------------------------------	--------------------

### Standards and Regulations

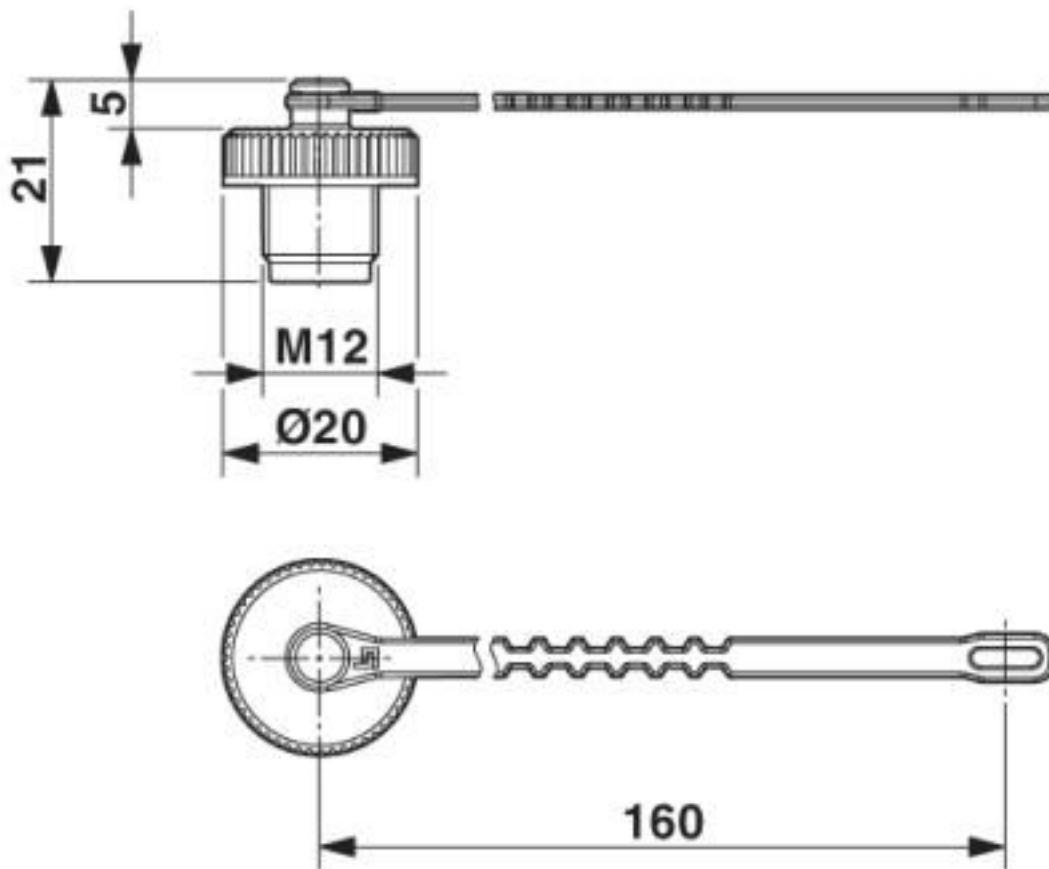
Flammability rating according to UL 94	V0
--	----

### Environmental Product Compliance

China RoHS	Environmentally Friendly Use Period = 25;
	For details about hazardous substances go to tab "Downloads", Category "Manufacturer's declaration"

## Drawings

Dimensional drawing



Dimensional drawing

## Screw plug - PROT-M12 MS-PA-CHAIN - 1430899

### Classifications

#### eCl@ss

eCl@ss 10.0.1	23111190
eCl@ss 4.0	23111100
eCl@ss 4.1	23111100
eCl@ss 5.0	23111100
eCl@ss 5.1	23111100
eCl@ss 6.0	23111100
eCl@ss 7.0	23111190
eCl@ss 8.0	23111190
eCl@ss 9.0	23111190

#### ETIM

ETIM 3.0	EC002040
ETIM 4.0	EC002040
ETIM 5.0	EC002040
ETIM 6.0	EC000032
ETIM 7.0	EC000032

#### UNSPSC

UNSPSC 6.01	31251501
UNSPSC 7.0901	31251501
UNSPSC 11	31251501
UNSPSC 12.01	31251501
UNSPSC 13.2	31161501
UNSPSC 18.0	31261502
UNSPSC 19.0	31261502
UNSPSC 20.0	31261502
UNSPSC 21.0	31261502