

## Cable gland - G-INS-M32-S68N-NNES-S - 1424528


Please be informed that the data shown in this PDF Document is generated from our Online Catalog. Please find the complete data in the user's documentation. Our General Terms of Use for Downloads are valid (<http://phoenixcontact.com/download>)



Cable gland, cable gland material: Nickel-plated brass, external cable diameter 13 mm ... 18 mm, shielding: no, connecting thread: M32 x 1.5, color: silver, with O-ring



### Key Commercial Data

|                                      |   |
|--------------------------------------|---|
| Packing unit                         | 1 pc  |
| Minimum order quantity               | 5 pc  |
| GTIN                                 | <br>4 055626 374338 |
| GTIN                                 | 4055626374338   |
| Weight per Piece (excluding packing) | 88.000 g  |
| Custom tariff number                 | 74199990  |
| Country of origin                    | Turkey  |

### Technical data

#### Dimensions

|                                 |                                |
|---------------------------------|--------------------------------|
| Length                          | 42 mm                          |
| Wrench size, union nut          | 30 mm                          |
| Wrench size, support            | 34 mm                          |
| Hexagon angular dimension       | 37 mm                          |
| Length of the connecting thread | 9 mm                           |
| Feed-through hole diameter      | 32.1 mm ... 32.3 mm            |
| External cable diameter         | 13 mm ... 18 mm                |
|                                 | 13 mm ... 18 mm (for UL 514 B) |

#### Ambient conditions

|                           |      |
|---------------------------|------|
| Degree of protection (IP) | IP69 |
|---------------------------|------|

# Cable gland - G-INS-M32-S68N-NNES-S - 1424528

## Technical data

### Ambient conditions

|                                 |                            |
|---------------------------------|----------------------------|
|                                 | IP68 (5 bar, 30 min.)      |
|                                 | IP66                       |
| Ambient temperature (operation) | -40 °C ... 100 °C (static) |

### General

|                                |  |
|--------------------------------|--|
| No. of conductors              | 1  |
| Cable gland material           | Nickel-plated brass  |
| Material, insert               | Polyamide 6  |
| Cable seal material            | CR   |
| Sealing material               | Perbunan (O-ring)  |
| Shielded                       | no   |
| Thread type on connection side | M32 x 1.5  |
| Torque                         | 17 Nm ± (1 Nm)   |
| Color                          | silver   |
| Impact category                | 6  |
| Execution of the strain relief | A  |
| Assembly instructions          | 1) Mount screw connection support in the housing using the correct torque<br>2) Insert cable 3) Tighten union nut using the correct torque |
| Manufacturer                   | BIMED  |
| Manufacturer Designation       | BMBC-04  |

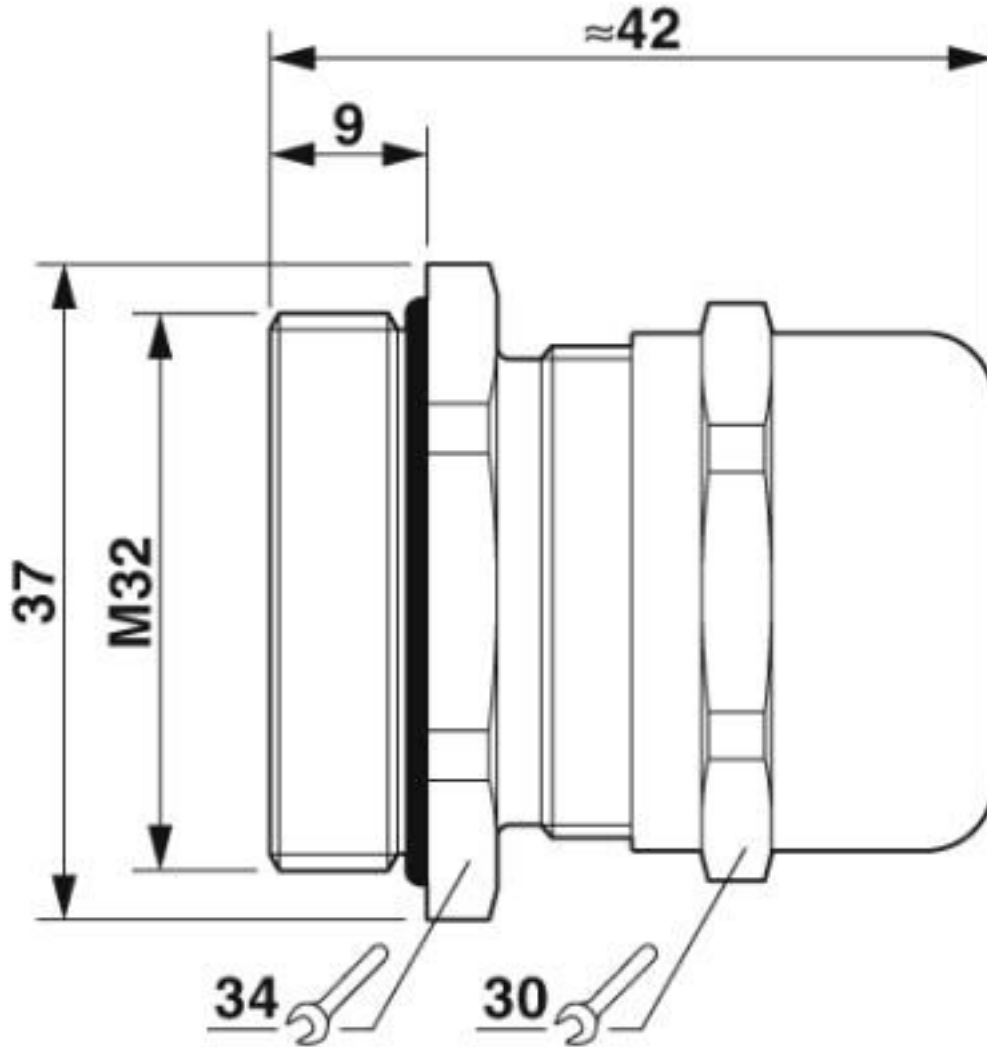
### Environmental Product Compliance

|            |   |
|------------|---|
| REACH SVHC | Lead 7439-92-1  |
| China RoHS | Environmentally Friendly Use Period = 50 years  |
|            | For details about hazardous substances go to tab "Downloads", Category "Manufacturer's declaration" |

## Drawings

# Cable gland - G-INS-M32-S68N-NNES-S - 1424528

Dimensional drawing



Dimensional drawing

## Classifications

eCl@ss

|               |          |
|---------------|----------|
| eCl@ss 10.0.1 | 27144432 |
| eCl@ss 4.0    | 27141200 |
| eCl@ss 4.1    | 27141200 |
| eCl@ss 5.0    | 27149100 |
| eCl@ss 5.1    | 27149109 |

# Cable gland - G-INS-M32-S68N-NNES-S - 1424528

## Classifications

### eCl@ss

|            |          |
|------------|----------|
| eCl@ss 6.0 | 27149100 |
| eCl@ss 7.0 | 27149109 |
| eCl@ss 8.0 | 27149109 |
| eCl@ss 9.0 | 27144432 |

### ETIM

|          |          |
|----------|----------|
| ETIM 5.0 | EC000441 |
| ETIM 6.0 | EC000441 |
| ETIM 7.0 | EC000441 |

## Approvals

### Approvals

#### Approvals

UL Listed / cUL Listed / cULus Listed

#### Ex Approvals

### Approval details

|           |  |   |         |
|-----------|--|---|---------|
| UL Listed |  | <a href="http://database.ul.com/cgi-bin/XYV/template/LISEXT/1FRAME/index.htm">http://database.ul.com/cgi-bin/XYV/template/LISEXT/1FRAME/index.htm</a> | E199260 |
|-----------|--|---|---------|

|            |  |   |         |
|------------|--|---|---------|
| cUL Listed |  | <a href="http://database.ul.com/cgi-bin/XYV/template/LISEXT/1FRAME/index.htm">http://database.ul.com/cgi-bin/XYV/template/LISEXT/1FRAME/index.htm</a> | E199260 |
|------------|--|---|---------|

|              |  |  |  |
|--------------|--|--|--|
| cULus Listed |  |  |  |
|--------------|--|--|--|

## Accessories

### Accessories

Flat nut

## Cable gland - G-INS-M32-S68N-NNES-S - 1424528

### Accessories

Counter nut - A-INL-M32-N-S - 1411244



Counter nut, material: Brass, nickel-plated, for threads M32 x 1.5, color: silver

---

### Sealing plugs

Closing cap - SEALING PLUG 17X17 RD - 1421861



Closing cap, material: PA, color: red