

Cable gland - G-INS-PG16-M68N-PNES-BK - 1424499

Please be informed that the data shown in this PDF Document is generated from our Online Catalog. Please find the complete data in the user's documentation. Our General Terms of Use for Downloads are valid (<http://phoenixcontact.com/download>)




Cable gland, cable gland material: PA, external cable diameter 10 mm ... 14 mm, shielding: no, connecting thread: Pg16, color: jet black RAL 9005

Your advantages

- Plastic material conforms to UL 746C f1

Key Commercial Data

Packing unit	1 pc
Minimum order quantity	5 pc
GTIN	 4 055626 373294
GTIN	4055626373294
Weight per Piece (excluding packing)	12.000 g
Custom tariff number	39269097
Country of origin	Turkey

Technical data

Dimensions

Length	44 mm
Wrench size, union nut	27 mm
Wrench size, support	27 mm
Hexagon angular dimension	30.8 mm
Length of the connecting thread	10 mm
Feed-through hole diameter	22.6 mm ... 22.8 mm
External cable diameter	10 mm ... 14 mm
	10 mm ... 14 mm (for UL 514 B)

Cable gland - G-INS-PG16-M68N-PNES-BK - 1424499

Technical data

Ambient conditions

Degree of protection (IP)	IP68 (5 bar / 0.5 h)
Ambient temperature (operation)	-40 °C ... 100 °C (static)

General

No. of conductors	1
Cable gland material	PA
Cable seal material	CR
Flammability rating according to UL 94	V2
	V2 (Housing)
Shielded	no
Thread type on connection side	Pg16
Torque	5.5 Nm ± ()
Color	jet black RAL 9005
Assembly instructions	1) Mount screw connection support in the housing using the correct torque 2) Insert cable 3) Tighten union nut using the correct torque
Manufacturer	BIMED
Manufacturer Designation	BS-25

Standards and Regulations

Flammability rating according to UL 94	V2
----------------------------------------	----

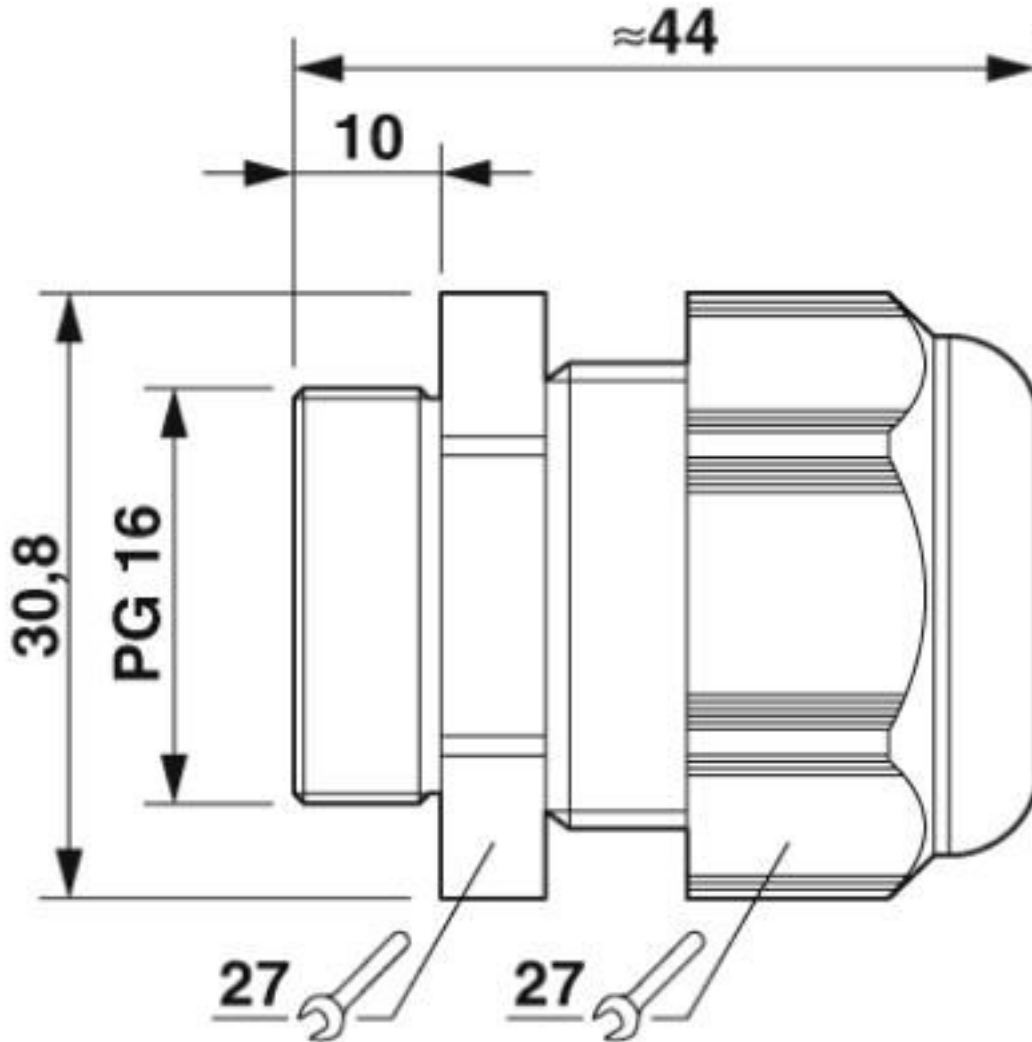
Environmental Product Compliance

China RoHS	Environmentally friendly use period: unlimited = EFUP-e
	No hazardous substances above threshold values

Drawings

Cable gland - G-INS-PG16-M68N-PNES-BK - 1424499

Dimensional drawing



Dimensional drawing

Classifications

eCl@ss

eCl@ss 10.0.1	27144432
eCl@ss 4.0	27141200
eCl@ss 4.1	27141200
eCl@ss 5.0	27149100
eCl@ss 5.1	27149109

Cable gland - G-INS-PG16-M68N-PNES-BK - 1424499

Classifications

eCl@ss

eCl@ss 6.0	27149100
eCl@ss 7.0	27149109
eCl@ss 8.0	27149109
eCl@ss 9.0	27144432

ETIM

ETIM 5.0	EC000441
ETIM 6.0	EC000441
ETIM 7.0	EC000441

Approvals

Approvals

Approvals

CSA / UL Listed / cUL Listed / cULus Listed

Ex Approvals

Approval details

CSA		http://www.csagroup.org/services-industries/product-listing/	115116
-----	--	-----------------------------------------------------------------------------------------------------------------------------------------	--------

UL Listed		http://database.ul.com/cgi-bin/XYV/template/LISEXT/1FRAME/index.htm	E199260
-----------	--	-------------------------------------------------------------------------------------------------------------------------------------------------------	---------

cUL Listed		http://database.ul.com/cgi-bin/XYV/template/LISEXT/1FRAME/index.htm	E199260
------------	--	-------------------------------------------------------------------------------------------------------------------------------------------------------	---------

cULus Listed			
--------------	--	--	--

Cable gland - G-INS-PG16-M68N-PNES-BK - 1424499

Accessories

Accessories

Flat nut

Counter nut - A-INL-PG16-P-BK - 1424562



Counter nut, material: PA 6 GF 30, connecting thread: Pg16, color: jet black RAL 9005

Sealing plugs

Closing cap - SEALING PLUG 12X22 RD - 1400260



Closing cap, material: PA, color: red