

Cable gland - G-INS-PG11-M68N-PNES-BK - 1424497

Please be informed that the data shown in this PDF Document is generated from our Online Catalog. Please find the complete data in the user's documentation. Our General Terms of Use for Downloads are valid (<http://phoenixcontact.com/download>)



Cable gland, cable gland material: PA, external cable diameter 5 mm ... 10 mm, shielding: no, connecting thread: Pg11, color: jet black RAL 9005

Your advantages

- Plastic material conforms to UL 746C f1

Key Commercial Data

Packing unit	1 pc
Minimum order quantity	5 pc
GTIN	 4 055626 373270
GTIN	4055626373270
Weight per Piece (excluding packing)	8.000 g
Custom tariff number	39269097
Country of origin	Turkey

Technical data

Dimensions

Length	38 mm
Wrench size, union nut	22 mm
Wrench size, support	22 mm
Hexagon angular dimension	25 mm
Length of the connecting thread	8 mm
Feed-through hole diameter	18.7 mm ... 18.8 mm
External cable diameter	5 mm ... 10 mm
	5 mm ... 10 mm (for UL 514 B)

Cable gland - G-INS-PG11-M68N-PNES-BK - 1424497

Technical data

Ambient conditions

Degree of protection (IP)	IP68 (5 bar / 0.5 h)
Ambient temperature (operation)	-40 °C ... 100 °C (static)

General

No. of conductors	1
Cable gland material	PA
Cable seal material	CR
Flammability rating according to UL 94	V2
	V2 (Housing)
Shielded	no
Thread type on connection side	Pg11
Torque	2.5 Nm ± ()
Color	jet black RAL 9005
Assembly instructions	1) Mount screw connection support in the housing using the correct torque 2) Insert cable 3) Tighten union nut using the correct torque
Manufacturer	BIMED
Manufacturer Designation	BS-23

Standards and Regulations

Flammability rating according to UL 94	V2
--	----

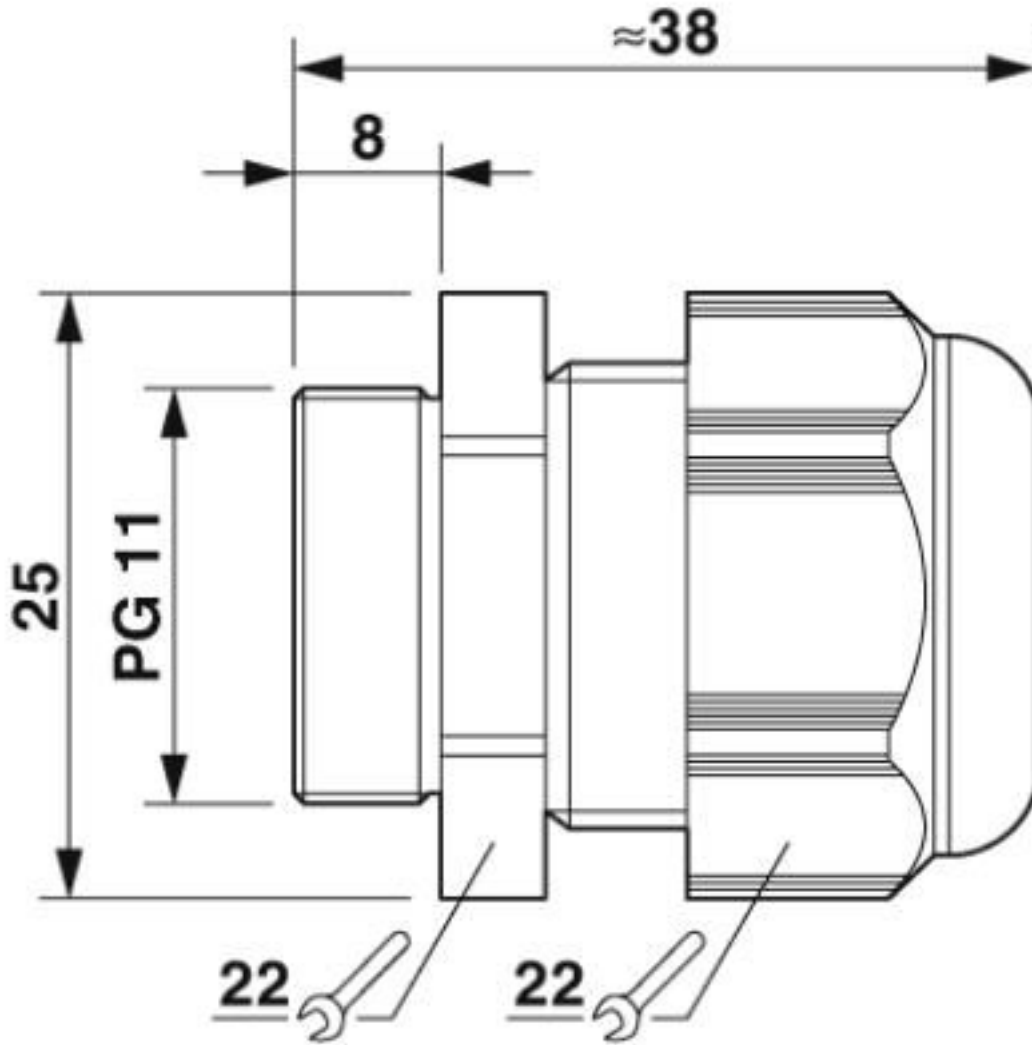
Environmental Product Compliance

China RoHS	Environmentally friendly use period: unlimited = EFUP-e
	No hazardous substances above threshold values

Drawings

Cable gland - G-INS-PG11-M68N-PNES-BK - 1424497

Dimensional drawing



Dimensional drawing

Classifications

eCl@ss

eCl@ss 10.0.1	27144432
eCl@ss 4.0	27141200
eCl@ss 4.1	27141200
eCl@ss 5.0	27149100
eCl@ss 5.1	27149109

Cable gland - G-INS-PG11-M68N-PNES-BK - 1424497

Classifications

eCl@ss

eCl@ss 6.0	27149100
eCl@ss 7.0	27149109
eCl@ss 8.0	27149109
eCl@ss 9.0	27144432

ETIM

ETIM 5.0	EC000441
ETIM 6.0	EC000441
ETIM 7.0	EC000441

Approvals

Approvals


Approvals


CSA / UL Recognized / cUL Recognized / cULus Recognized

Ex Approvals

Approval details

CSA		http://www.csagroup.org/services-industries/product-listing/	115116
-----	---	---	--------

UL Recognized		http://database.ul.com/cgi-bin/XYV/template/LISEXT/1FRAME/index.htm	E199260
---------------	---	---	---------

cUL Recognized		http://database.ul.com/cgi-bin/XYV/template/LISEXT/1FRAME/index.htm	E199260
----------------	---	---	---------

cULus Recognized			
------------------	---	--	--

Cable gland - G-INS-PG11-M68N-PNES-BK - 1424497

Accessories

Accessories

Flat nut

Counter nut - A-INL-PG11-P-GY - 1411223



Counter nut, material: PA, for threads Pg11, color: silver-gray RAL 7001

Sealing plugs

Closing cap - SEALING PLUG 8X16 RD - 1400257



Closing cap, material: PA, color: red