

Cable gland - G-INS-PG16-M68N-PNES-LG - 1424489

Please be informed that the data shown in this PDF Document is generated from our Online Catalog. Please find the complete data in the user's documentation. Our General Terms of Use for Downloads are valid (<http://phoenixcontact.com/download>)




Cable gland, cable gland material: PA, external cable diameter 10 mm ... 14 mm, shielding: no, connecting thread: Pg16, color: lightgrey RAL 7035

Your advantages

- Plastic material conforms to UL 746C f1

Key Commercial Data

| | |
|--------------------------------------|---|
| Packing unit | 1 pc |
| Minimum order quantity | 5 pc |
| GTIN |  4 055626 373195 |
| GTIN | 4055626373195 |
| Weight per Piece (excluding packing) | 12.000 g |
| Custom tariff number | 39269097 |
| Country of origin | Turkey |

Technical data

Dimensions

| | |
|---------------------------------|--------------------------------|
| Length | 44 mm |
| Wrench size, union nut | 27 mm |
| Wrench size, support | 27 mm |
| Hexagon angular dimension | 30.8 mm |
| Length of the connecting thread | 10 mm |
| Feed-through hole diameter | 22.6 mm ... 22.8 mm |
| External cable diameter | 10 mm ... 14 mm |
| | 10 mm ... 14 mm (for UL 514 B) |

Cable gland - G-INS-PG16-M68N-PNES-LG - 1424489

Technical data

Ambient conditions

| | |
|---------------------------------|----------------------------|
| Degree of protection (IP) | IP68 (5 bar / 0.5 h) |
| Ambient temperature (operation) | -40 °C ... 100 °C (static) |

General

| | |
|--|--|
| No. of conductors | 1 |
| Cable gland material | PA |
| Cable seal material | CR |
| Flammability rating according to UL 94 | V2 |
| | V2 (Housing) |
| Shielded | no |
| Thread type on connection side | Pg16 |
| Torque | 5.5 Nm ± () |
| Color | lightgrey RAL 7035 |
| Assembly instructions | 1) Mount screw connection support in the housing using the correct torque 2) Insert cable 3) Tighten union nut using the correct torque |
| Manufacturer | BIMED |
| Manufacturer Designation | BS-15 |

Standards and Regulations

| | |
|--|----|
| Flammability rating according to UL 94 | V2 |
|--|----|

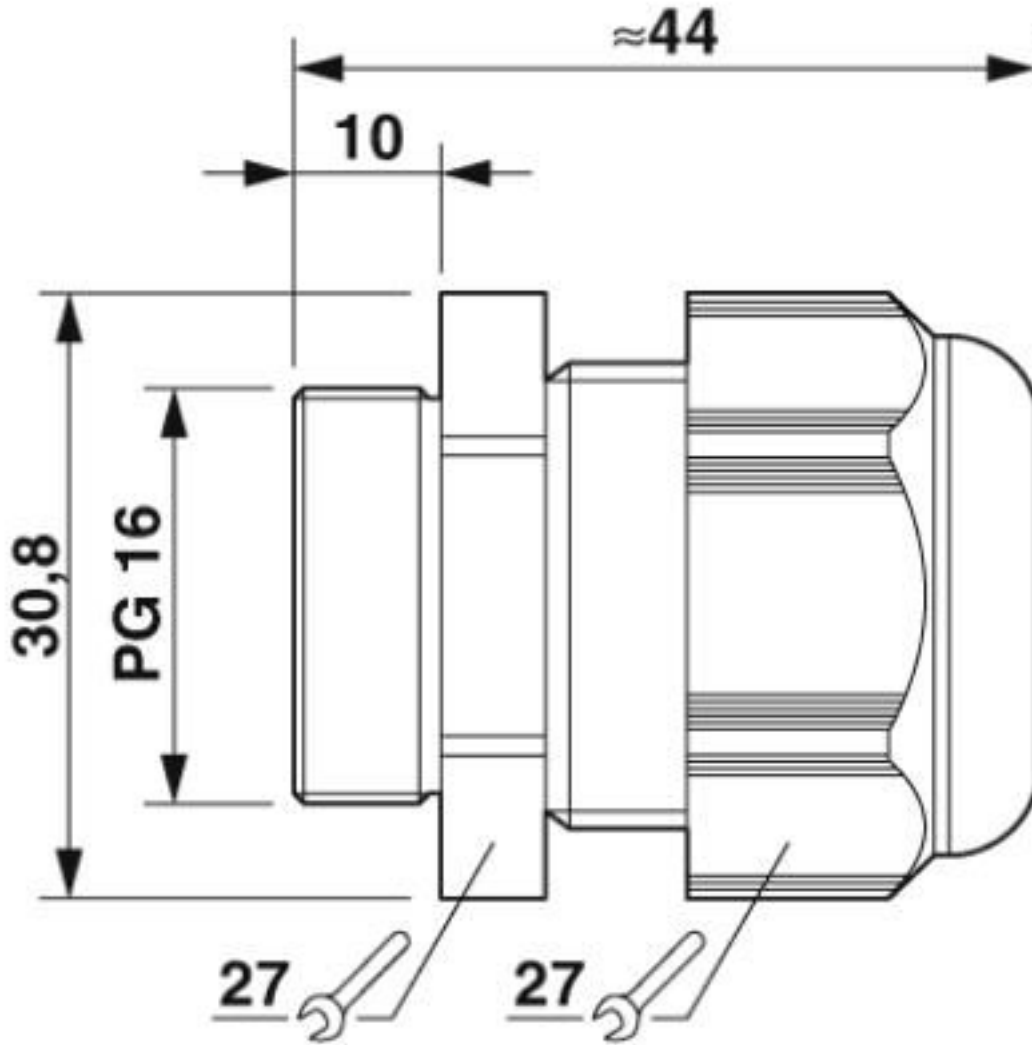
Environmental Product Compliance

| | |
|------------|---|
| China RoHS | Environmentally friendly use period: unlimited = EFUP-e |
| | No hazardous substances above threshold values |

Drawings

Cable gland - G-INS-PG16-M68N-PNES-LG - 1424489

Dimensional drawing



Dimensional drawing

Classifications

eCl@ss

| | |
|---------------|----------|
| eCl@ss 10.0.1 | 27144432 |
| eCl@ss 4.0 | 27141200 |
| eCl@ss 4.1 | 27141200 |
| eCl@ss 5.0 | 27149100 |
| eCl@ss 5.1 | 27149109 |

Cable gland - G-INS-PG16-M68N-PNES-LG - 1424489

Classifications

eCl@ss

| | |
|------------|----------|
| eCl@ss 6.0 | 27149100 |
| eCl@ss 7.0 | 27149109 |
| eCl@ss 8.0 | 27149109 |
| eCl@ss 9.0 | 27144432 |

ETIM

| | |
|----------|----------|
| ETIM 5.0 | EC000441 |
| ETIM 6.0 | EC000441 |
| ETIM 7.0 | EC000441 |

Approvals

Approvals

Approvals

CSA / UL Listed / cUL Listed / cULus Listed

Ex Approvals

Approval details

| | | | |
|-----|--|---|--------|
| CSA | | http://www.csagroup.org/services-industries/product-listing/ | 115116 |
|-----|--|---|--------|

| | | | |
|-----------|--|---|---------|
| UL Listed | | http://database.ul.com/cgi-bin/XYV/template/LISEXT/1FRAME/index.htm | E199260 |
|-----------|--|---|---------|

| | | | |
|------------|--|---|---------|
| cUL Listed | | http://database.ul.com/cgi-bin/XYV/template/LISEXT/1FRAME/index.htm | E199260 |
|------------|--|---|---------|

| | | | |
|--------------|--|--|--|
| cULus Listed | | | |
|--------------|--|--|--|

Cable gland - G-INS-PG16-M68N-PNES-LG - 1424489

Accessories

Accessories

Flat nut

Counter nut - A-INL-PG16-P-GY - 1411225



Counter nut, material: PA, for threads Pg16, color: silver-gray RAL 7001

Sealing plugs

Closing cap - SEALING PLUG 12X22 RD - 1400260



Closing cap, material: PA, color: red