

## RJ45 connector - CUC-V14-C1ZNI-S/R4E8:10 - 1422680

Please be informed that the data shown in this PDF Document is generated from our Online Catalog. Please find the complete data in the user's documentation. Our General Terms of Use for Downloads are valid (<http://phoenixcontact.com/download>)




Push-pull connector (version 14), die-cast zinc, with RJ45 connector insert, 8-pos., with IDC fast connection technology, for 1 and 7-wire cores, 26 ... 24 AWG, for cable diameter of 5.5 mm ... 10 mm

### Your advantages

- ✓ Push-pull ADVANCE connector
- ✓ Locking system to prevent inadvertent removal
- ✓ Protected data transmission, thanks to 360° shielding concept
- ✓ High resistance to ESD and EMC for reliable transmission



### Key Commercial Data

Packing unit	1 pc
Minimum order quantity	10 pc
GTIN	 4 055626 311425
GTIN	4055626311425
Custom tariff number	85366990
Country of origin	Germany

### Technical data

#### Mechanical characteristics

Connection method	IDC fast connection
Minimum external conductor diameter	5.5 mm
Maximum external conductor diameter	10 mm
AWG solid min.	26
AWG solid max.	24
AWG multi-stranded min.	26

## RJ45 connector - CUC-V14-C1ZNI-S/R4E8:10 - 1422680

### Technical data

#### Mechanical characteristics

AWG multi-stranded max.	24
Cable outlet	straight
No. of cable outlets	1
Locking type	Push Pull
Conductor cross section	0.14 mm <sup>2</sup> ... 0.23 mm <sup>2</sup> (solid)
	0.14 mm <sup>2</sup> ... 0.25 mm <sup>2</sup> (flexible)
Weight	97.26 g

#### Ambient conditions

Ambient temperature (operation)	-40 °C ... 70 °C
Ambient temperature (assembly)	-10 °C ... 40 °C
Ambient temperature (storage/transport)	-40 °C ... 70 °C

#### Material data

Contact surface material	Gold over nickel
Contact material	Copper alloy
Contact carrier material	PC
Housing material	Zinc die-cast
Housing surface material	Nickel-plated
Width	22 mm
Height	34 mm
Length	80 mm

#### Electrical characteristics

Transmission speed	1 Gbps
Connection cross section AWG	26 ... 24 (solid)
	26 ... 24 (flexible)
Rated current	1.75 A

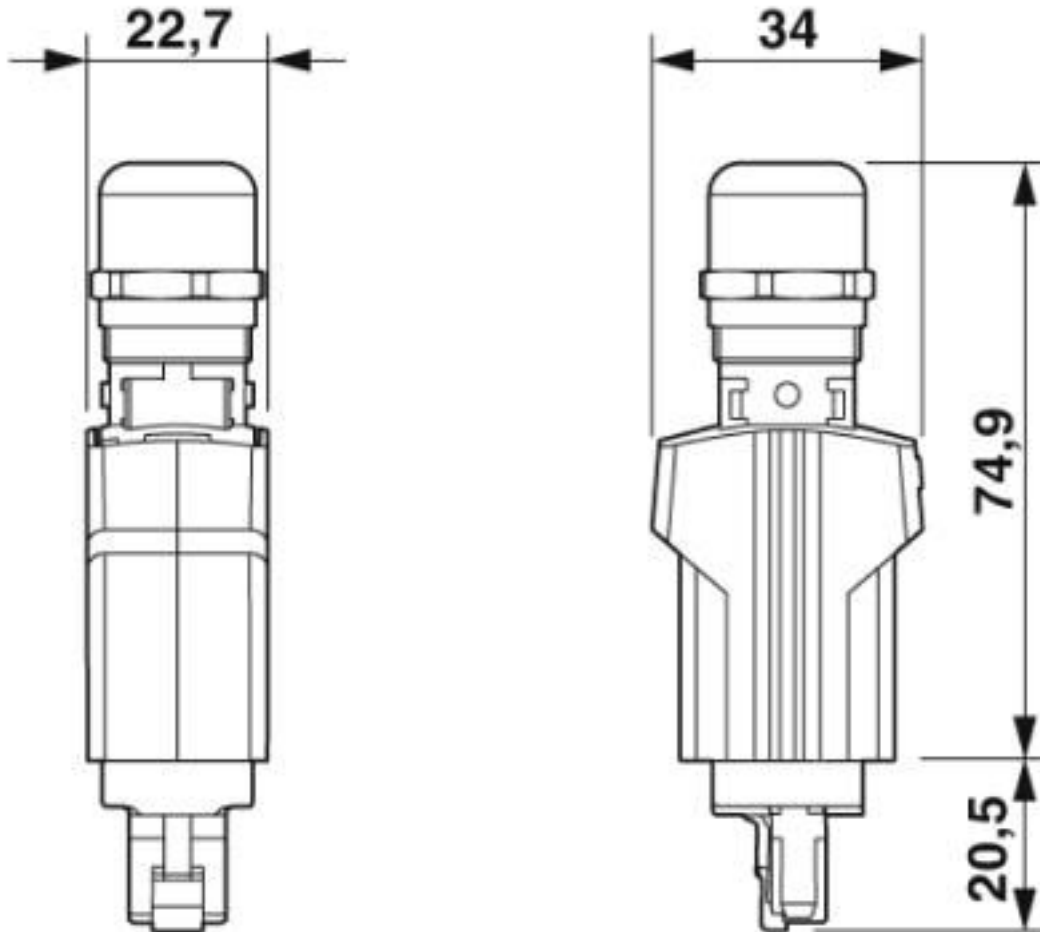
#### Environmental Product Compliance

REACH SVHC	Lead 7439-92-1
China RoHS	Environmentally Friendly Use Period = 50 years
	For details about hazardous substances go to tab "Downloads", Category "Manufacturer's declaration"

### Drawings

# RJ45 connector - CUC-V14-C1ZNI-S/R4E8:10 - 1422680

Dimensional drawing



## Classifications

eCl@ss

eCl@ss 10.0.1	27440101
eCl@ss 4.0	27260700
eCl@ss 4.1	27260700
eCl@ss 5.0	27260700
eCl@ss 5.1	27260700
eCl@ss 6.0	27260700
eCl@ss 7.0	27440101
eCl@ss 8.0	27440101
eCl@ss 9.0	27440101

# RJ45 connector - CUC-V14-C1ZNI-S/R4E8:10 - 1422680

## Classifications

### ETIM

ETIM 6.0	EC002636
ETIM 7.0	EC002636

## Approvals

### Approvals

---

#### Approvals

#### EAC

---

#### Ex Approvals

---

### Approval details

EAC		B.01687
-----	--	---------

## Accessories

### Accessories

#### Panel mounting frame

##### Panel mounting frames - CUC-V14-F1ZNI-EM/R4F8 - 1413961



RJ45 panel mounting frame, IP67, for push-pull interlocking, metal, for rectangular mounting cutout, with seal and mounting screws, incl. RJ45 insert with IDC cable connection

##### Panel mounting frames - CUC-V14-F1ZNI-EM/R4B8 - 1413962



RJ45 panel mounting frame, IP67, for push-pull interlocking, metal, for rectangular mounting cutout, with seal and mounting screws, incl. RJ45 coupling module

## RJ45 connector - CUC-V14-C1ZNI-S/R4E8:10 - 1422680

### Accessories

Panel mounting frames - CUC-V14-F1ZNI-EM/R4O - 1413963



RJ45 panel mounting frame, IP67, for push-pull interlocking, metal, for PCB connection, for square panel cutout, with grommet and mounting screws

---

### Protective cover

Protective covers - VS-PPC-F1-PC-POBK - 1405316



Protective cover, IP65, with push-pull locking for covering the contact insert in the push-pull connector for RJ45 and SC-RJ, plastic

---

Stripping tool - VS-CABLE-STRIP-VARIO - 1657407



Stripping tool, for the multi-level stripping of shielded cables