

Socket insert - VS-SI-SD-CN - 1422485


Please be informed that the data shown in this PDF Document is generated from our Online Catalog. Please find the complete data in the user's documentation. Our General Terms of Use for Downloads are valid (<http://phoenixcontact.com/download>)



Socket insert, degree of protection: IP20, material: PA, connection method: Screw connection, color: light gray, China



Key Commercial Data

Packing unit	1
GTIN	 4 055626 305073
GTIN	4055626305073
Custom tariff number	85366990

Technical data

Mechanical characteristics

Connection method	Screw connection
AWG solid max.	12
Conductor cross section	4 mm ²
Weight	71 g
Flammability rating according to UL 94	V0

Ambient conditions

Ambient temperature (operation)	-10 °C ... 60 °C
Degree of protection	IP20

Material data

Housing material	PA
Width	51 mm
Height	31.3 mm

Socket insert - VS-SI-SD-CN - 1422485

Technical data

Material data

Length	87.5 mm
Assembly instructions	suitable for all mounting frames

Electrical characteristics

Connection cross section AWG	12
Rated current	10 A

Standards and Regulations

Flammability rating according to UL 94	V0
--	----

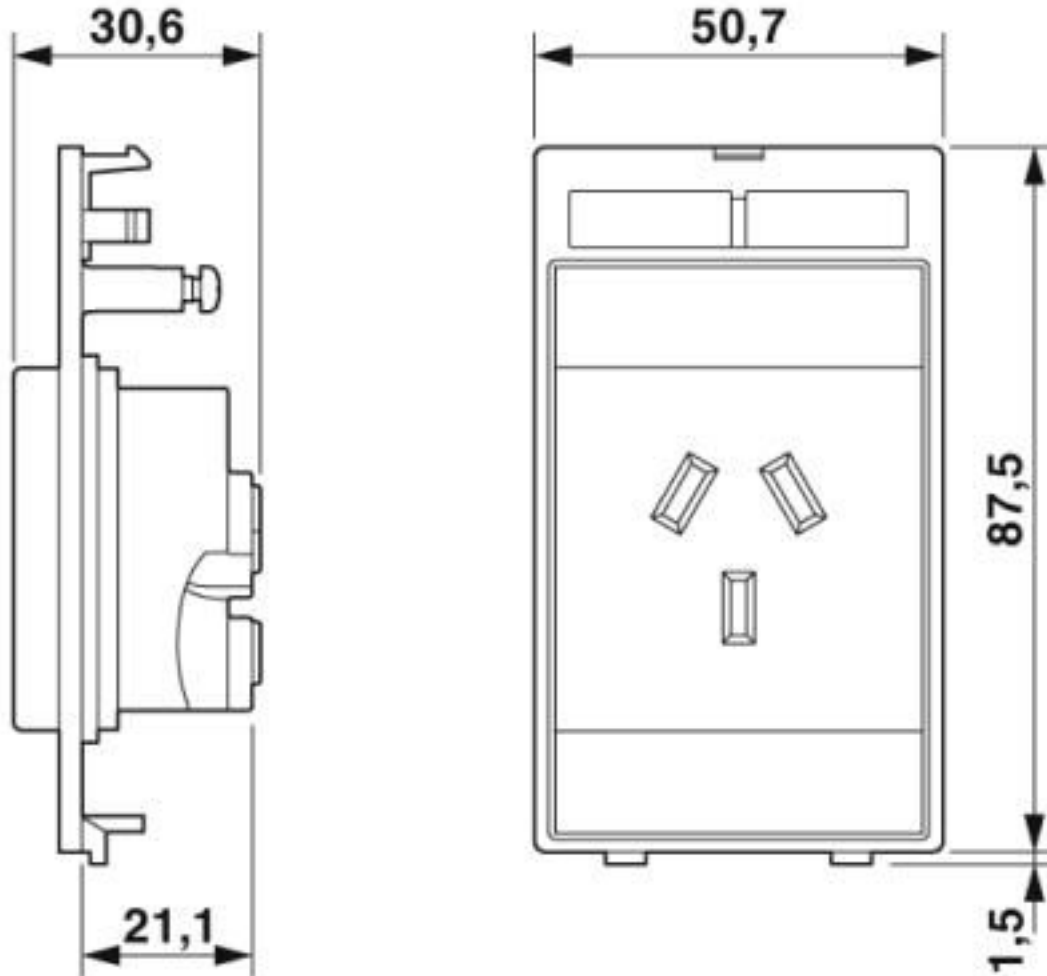
Environmental Product Compliance

China RoHS	Environmentally friendly use period: unlimited = EFUP-e
	No hazardous substances above threshold values

Drawings

Socket insert - VS-SI-SD-CN - 1422485

Dimensional drawing



Socket insert

Classifications

eCl@ss

eCl@ss 10.0.1	27142305
eCl@ss 4.0	27142300
eCl@ss 4.1	27142300
eCl@ss 5.0	27142300
eCl@ss 5.1	27142300
eCl@ss 6.0	27142300
eCl@ss 7.0	27142305

Socket insert - VS-SI-SD-CN - 1422485

Classifications

eCl@ss

eCl@ss 9.0	27142305
------------	----------

ETIM

ETIM 6.0	EC001663
ETIM 7.0	EC001663

Approvals


Approvals

Approvals

EAC

Ex Approvals

Approval details

EAC		RU D- DE.HB49.B.00025
-----	---	--------------------------
