

Adapter - HC-M-ADP-EMC - 1420486

Please be informed that the data shown in this PDF Document is generated from our Online Catalog. Please find the complete data in the user's documentation. Our General Terms of Use for Downloads are valid (<http://phoenixcontact.com/download>)




Adapter, application: Shield adapters



COMPLETE™

Key Commercial Data

Packing unit	1 pc
GTIN	 4 055626 225272
GTIN	4055626225272
Weight per Piece (excluding packing)	250.000 g
Custom tariff number	85389099
Country of origin	Austria

Technical data

Ambient conditions

Ambient temperature (operation)	-40 °C ... 85 °C
---------------------------------	------------------

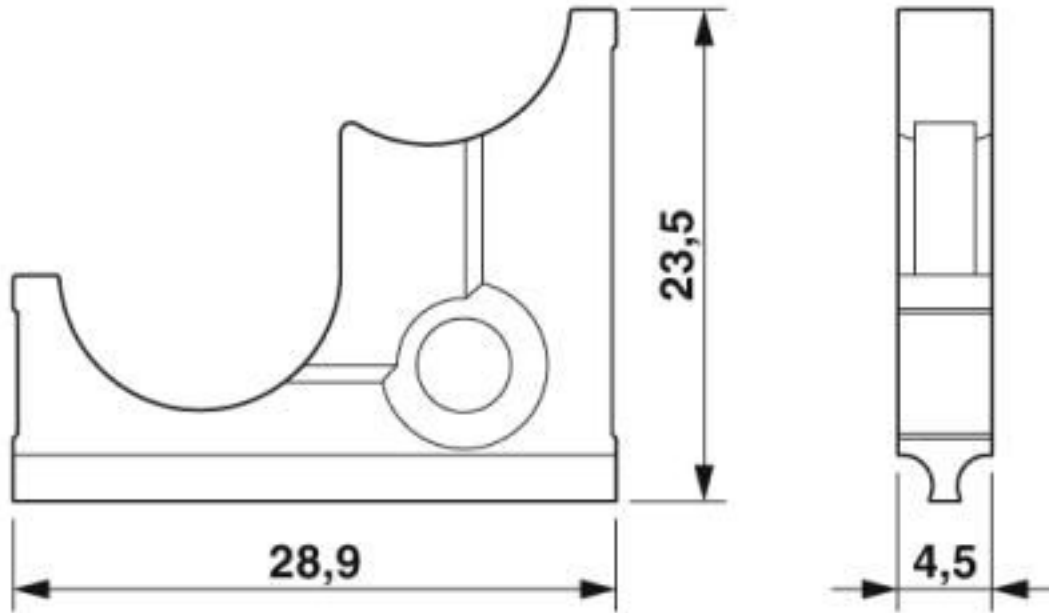
Environmental Product Compliance

China RoHS	Environmentally friendly use period: unlimited = EFUP-e
	No hazardous substances above threshold values

Drawings

Adapter - HC-M-ADP-EMC - 1420486

Dimensional drawing



Dimensional drawing

Classifications

eCl@ss

eCl@ss 10.0.1	27440192
eCl@ss 5.1	27261200
eCl@ss 6.0	27261200
eCl@ss 7.0	27440205
eCl@ss 8.0	27440205
eCl@ss 9.0	27440192

ETIM

ETIM 5.0	EC000438
ETIM 6.0	EC002908
ETIM 7.0	EC002908

UNSPSC

UNSPSC 13.2	39121421
UNSPSC 18.0	39121421
UNSPSC 19.0	39121421
UNSPSC 20.0	39121421

Adapter - HC-M-ADP-EMC - 1420486

Classifications

UNSPSC

UNSPSC 21.0	39121421
-------------	----------

Approvals

Approvals

Approvals

EAC

Ex Approvals

Approval details

EAC		RU C- DE.AI30.B.01102
-----	------------------------------------------------------------------------------------	--------------------------
