

D-SUB sleeve housings - CUC-DST-GPME-S/DSSC25 - 1419719

Please be informed that the data shown in this PDF Document is generated from our Online Catalog. Please find the complete data in the user's documentation. Our General Terms of Use for Downloads are valid (<http://phoenixcontact.com/download>)



D-SUB sleeve housings, degree of protection: IP20, material: ABS, metal-plated, cable outlet: straight, size of housing: 3, color: Bare metallic

Your advantages

- ✓ Easy to mount thanks to pre-assembled locking screws
- ✓ Antimagnetic plastic housing
- ✓ Particularly suitable for D-SUB connectors with special contacts thanks to large interior

Key Commercial Data

Packing unit	1 pc
GTIN	 4 055626 187891
GTIN	4055626187891
Weight per Piece (excluding packing)	50.000 g
Custom tariff number	85389099
Country of origin	Germany

Technical data

Mechanical characteristics

Minimum external conductor diameter	4 mm
Maximum external conductor diameter	12 mm
Cable outlet	straight
No. of cable outlets	1
Weight	27.1 g
Flammability rating according to UL 94	V0

D-SUB sleeve housings - CUC-DST-GPME-S/DSSC25 - 1419719

Technical data

Ambient conditions

Ambient temperature (operation)	-35 °C ... 95 °C
---------------------------------	------------------

Material data

Housing material	ABS, metal-plated
Housing surface material	metal-plated
Width	30.8 mm
Height	12.5 mm
Depth	17.2 mm
Mounting type	Screw locking

Standards and Regulations

Flammability rating according to UL 94	V0
--	----

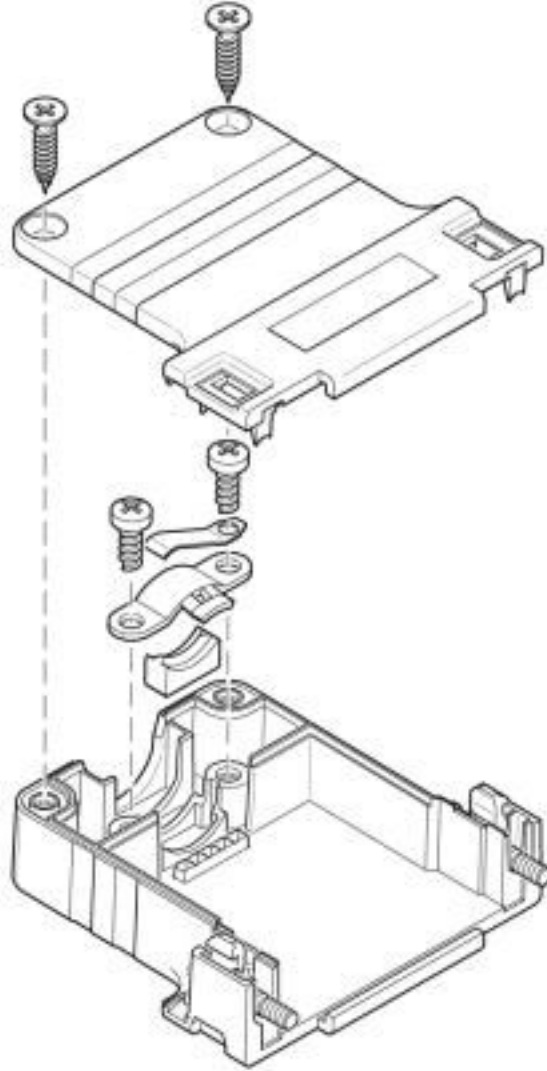
Environmental Product Compliance

REACH SVHC	Lead 7439-92-1
China RoHS	Environmentally friendly use period: unlimited = EFUP-e
	No hazardous substances above threshold values

Drawings

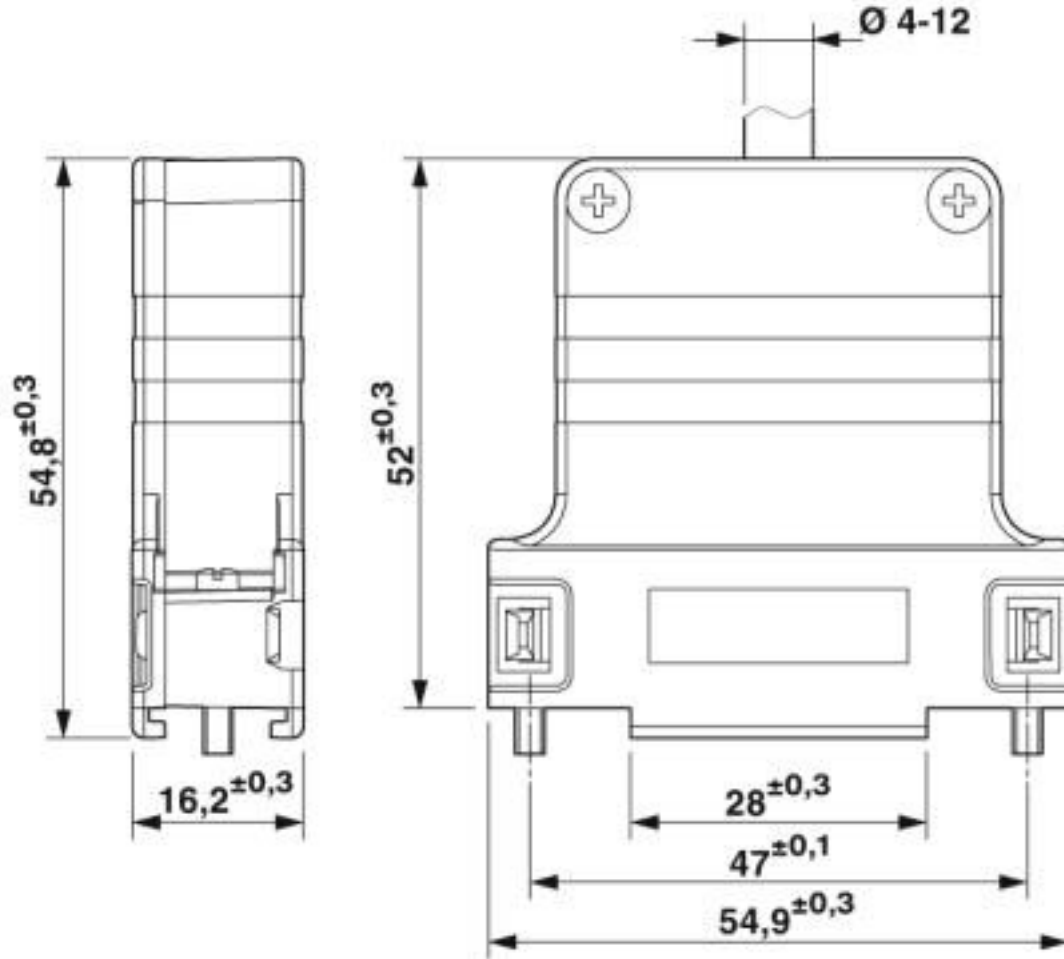
D-SUB sleeve housings - CUC-DST-GPME-S/DSSC25 - 1419719

Schematic diagram



D-SUB sleeve housings - CUC-DST-GPME-S/DSSC25 - 1419719

Dimensional drawing



D-SUB sleeve housings

Classifications

eCl@ss

eCl@ss 10.0.1	27440302
eCl@ss 4.0	27260700
eCl@ss 4.1	27260700
eCl@ss 5.0	27260700
eCl@ss 5.1	27261200
eCl@ss 6.0	27261200
eCl@ss 7.0	27440302
eCl@ss 8.0	27440302

D-SUB sleeve housings - CUC-DST-GPME-S/DSSC25 - 1419719

Classifications

eCl@ss

eCl@ss 9.0	27440302
------------	----------

ETIM

ETIM 2.0	EC000437
ETIM 3.0	EC000437
ETIM 4.0	EC000437
ETIM 5.0	EC001132
ETIM 6.0	EC001132
ETIM 7.0	EC001132

UNSPSC

UNSPSC 6.01	31261501
UNSPSC 7.0901	31261501
UNSPSC 11	31261501
UNSPSC 12.01	31261501
UNSPSC 13.2	39121522
UNSPSC 18.0	39121522
UNSPSC 19.0	39121522
UNSPSC 20.0	39121522
UNSPSC 21.0	39121522

Approvals

Approvals

Approvals

EAC

Ex Approvals

Approval details

EAC		B.01742
-----	---	---------

D-SUB sleeve housings - CUC-DST-GPME-S/DSSC25 - 1419719

Accessories

Accessories

Female insert

Contact insert - VS-25-BU-DSUB-EG - 1689909

D-SUB contact insert, shell size 3, with 25 signal contacts, type of contact socket, with solder cup, straight, fixing with a 3 mm hole, for panel mounting frame and sleeve housing VS-25-...



D-SUB contact insert - VS-25-BU-DSUB-HD-EG - 1655221

D-SUB contact insert, shell size 3, with 44 signal contacts, type of contact socket, with solder cup, straight, fixing with a 3 mm hole, for panel mounting frame and sleeve housing VS-25-...



D-SUB contact support - VS-25-BU-DSUB-CD-B - 1689967

D-SUB contact carrier, shell size 3, for 25 signal contacts, type of contact socket, for crimp contacts, straight, fixing with a 3 mm hole, for panel mounting frame and sleeve housing VS-25-...



D-SUB contact support - VS-25-BU-DSUB-HD-CD-B - 1655247

D-SUB contact carrier, shell size 3, for 44 signal contacts, type of contact socket, for crimp contacts, straight, fixing with a 3 mm hole, for panel mounting frame and sleeve housing VS-25-...



D-SUB contact support - VS-25-BU-DSUB-5P - 1689983

D-SUB contact carrier, shell size 3, accommodation for five combined contacts, type of contact socket, straight, fixing with a 3 mm hole, for panel mounting frame and sleeve housing VS-25-...

D-SUB sleeve housings - CUC-DST-GPME-S/DSSC25 - 1419719

Accessories

D-SUB combination contact insert - VS-25-BU-DSUB-3P-10S - 1690008

D-SUB contact insert, shell size 3, with ten signal contacts with solder cup, straight, accommodation for three combined contacts, type of contact socket, fixing with a 3 mm hole, for panel mounting frame and sleeve housing VS-25-...



D-SUB combination contact insert - VS-25-BU-DSUB-4P-5S - 1655373

D-SUB contact insert, shell size 3, with five signal contacts, with solder cup, straight, accommodation for four combined contacts, type of contact socket, fixing with a 3 mm hole, for panel mounting frame and sleeve housing VS-25-...



Male insert

Contact insert - VS-25-ST-DSUB-EG - 1689899

D-SUB contact insert, shell size 3, with 25 signal contacts, type of contact pin, with solder cup, straight, fixing with a 3 mm hole, for panel mounting frame and sleeve housing VS-25-...



D-SUB contact insert - VS-25-ST-DSUB-HD-EG - 1655234

D-SUB contact insert, shell size 3, with 44 signal contacts, type of contact pin, with solder cup, straight, fixing with a 3 mm hole, for panel mounting frame and sleeve housing VS-25-...



D-SUB contact support - VS-25-ST-DSUB-CD-B - 1689954

D-SUB contact carrier, shell size 3, for 25 signal contacts, type of contact pin, for crimp contacts, straight, fixing with a 3 mm hole, for panel mounting frame and sleeve housing VS-25-...



D-SUB sleeve housings - CUC-DST-GPME-S/DSSC25 - 1419719

Accessories

D-SUB contact support - VS-25-ST-DSUB-HD-CD-B - 1655250



D-SUB contact carrier, shell size 3, for 44 signal contacts, type of contact pin, for crimp contacts, straight, fixing with a 3 mm hole, for panel mounting frame and sleeve housing VS-25-...

D-SUB contact support - VS-25-ST-DSUB-5P - 1689970



D-SUB contact carrier, shell size 3, accommodation for five combined contacts, type of contact pin, straight, fixing with a 3 mm hole, for panel mounting frame and sleeve housing VS-25-...

D-SUB combination contact insert - VS-25-ST-DSUB-3P-10S - 1689996



D-SUB contact insert, shell size 3, with ten signal contacts with solder cup, straight, accommodation for three combined contacts, type of contact pin, fixing with a 3 mm hole, for panel mounting frame and sleeve housing VS-25-...

D-SUB combination contact insert - VS-25-ST-DSUB-4P-5S - 1655386



D-SUB contact insert, shell size 3, with five signal contacts, with solder cup, straight, accommodation for four combined contacts, type of contact pin, fixing with a 3 mm hole, for panel mounting frame and sleeve housing VS-25-...

Sleeve housings

Bend protection sleeve - CUC-DST-ABK-CP8 - 1419791



Bend protection sleeve, degree of protection: IP20, color: black

D-SUB sleeve housings - CUC-DST-GPME-S/DSSC25 - 1419719

Accessories

Bend protection sleeve - CUC-DST-ABK-CP9 - 1419792



Bend protection sleeve, degree of protection: IP20, color: black

Bend protection sleeve - CUC-DST-ABK-CP9,7 - 1419793



Bend protection sleeve, degree of protection: IP20, color: black

Bend protection sleeve - CUC-DST-ABK-CP7,5 - 1419794



Bend protection sleeve, degree of protection: IP20, color: black
