

Panel mounting frame set - VS-V1-F-RJ45-MNNA-1-C-S-JJ-S - 1419184

Please be informed that the data shown in this PDF Document is generated from our Online Catalog. Please find the complete data in the user's documentation. Our General Terms of Use for Downloads are valid (<http://phoenixcontact.com/download>)




Panel mounting frame set, type: RJ45, IP67, version 1, degree of protection: IP67, number of positions: 8, 1 Gbps, CAT5 (IEC 11801:2002), material: Zinc die-cast, connection method: Coupling

Your advantages

- Round panel cutout
- IP65/67
- Bayonet locking
- Including coupler module



Key Commercial Data

Packing unit	1 pc
GTIN	 4 046356 540377
GTIN	4046356540377
Weight per Piece (excluding packing)	92.400 g
Custom tariff number	85366990
Country of origin	Germany

Technical data

Mechanical characteristics

Connection method	Coupling
Number of slots	1
Weight	92.8 g
Type	RJ45, IP67, version 1
Flammability rating according to UL 94	V0

Panel mounting frame set - VS-V1-F-RJ45-MNNA-1-C-S-JJ-S - 1419184

Technical data

Ambient conditions

Ambient temperature (operation)	-40 °C ... 70 °C
---------------------------------	------------------

Material data

Housing material	Zinc die-cast
Mounting type	Wall mounting
Assembly instructions	Round panel cutout

Electrical characteristics

Number of positions	8
Transmission characteristics (category)	CAT5 (IEC 11801:2002)
GRP transmission properties	CAT5 (IEC 11801:2002) CAT5 (IEC 11801:2002)
Transmission speed	1 Gbps
Rated voltage (III/3)	72 V (DC)

Standards and Regulations

Flammability rating according to UL 94	V0
--	----

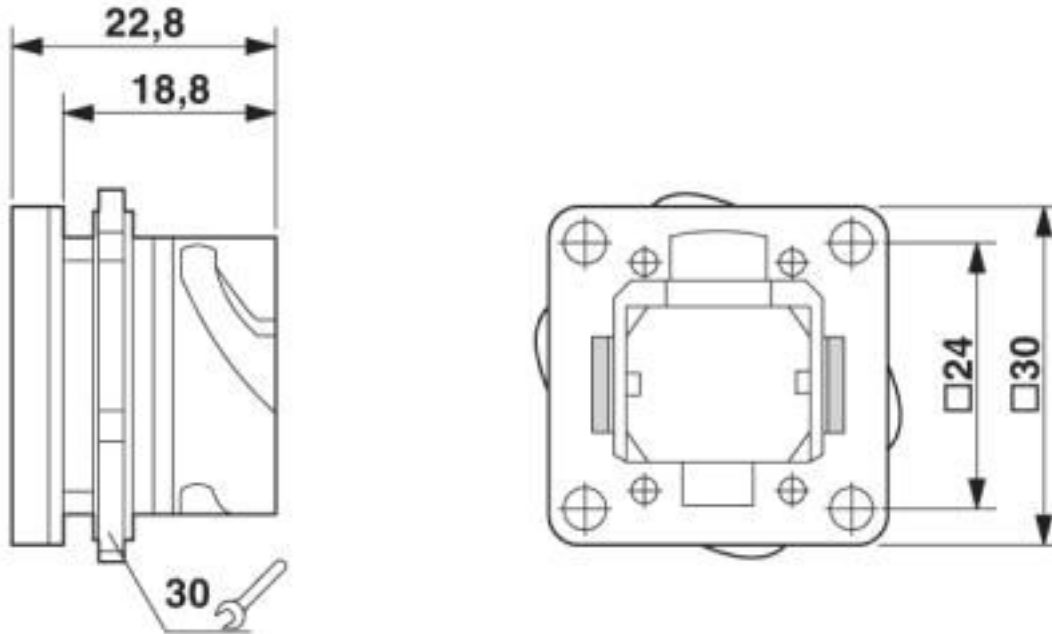
Environmental Product Compliance

REACH SVHC	Lead 7439-92-1
China RoHS	Environmentally Friendly Use Period = 50 years
	For details about hazardous substances go to tab "Downloads", Category "Manufacturer's declaration"

Drawings

Panel mounting frame set - VS-V1-F-RJ45-MNNA-1-C-S-JJ-S - 1419184

Dimensional drawing



Classifications

eCl@ss

eCl@ss 10.0.1	27440210
eCl@ss 4.0	27140800
eCl@ss 4.1	27140800
eCl@ss 5.0	27143400
eCl@ss 5.1	27143400
eCl@ss 6.0	27261200
eCl@ss 7.0	27440210
eCl@ss 8.0	27440210
eCl@ss 9.0	27440210

ETIM

ETIM 3.0	EC000376
ETIM 4.0	EC002310
ETIM 5.0	EC002310
ETIM 6.0	EC002310
ETIM 7.0	EC002310

Panel mounting frame set - VS-V1-F-RJ45-MNNA-1-C-S-JJ-S - 1419184

Classifications

UNSPSC

UNSPSC 6.01	31261501
UNSPSC 7.0901	31261501
UNSPSC 11	31261501
UNSPSC 12.01	31261501
UNSPSC 13.2	39121421
UNSPSC 18.0	39121421
UNSPSC 19.0	39121421
UNSPSC 20.0	39121421
UNSPSC 21.0	39121421

Approvals

Approvals

Approvals

EAC

Ex Approvals

Approval details

EAC		B.01687
-----	--	---------

Accessories

Accessories

Circular connector (cable-side)

RJ45 connector - VS-V1-C-RJ45-MNNA-PG9-8-I-5-S - 1419182



RJ45 connector, degree of protection: IP67, number of positions: 8, CAT5 (IEC 11801:2002), material: Zinc die-cast, connection method: IDC connection, connection cross section: AWG 27- 24, color: silver

Panel mounting frame set - VS-V1-F-RJ45-MNNA-1-C-S-JJ-S - 1419184

Accessories

Protective cover

Protective covers - VS-V1-F-PC-POBK - 1419186

Protective cover, IP67, plastic version, to cover the contact insert in the RJ45,LC and SC-RJ panel mounting frame

