

Cable gland - G-INS-M50-L68L-PNES-LG - 1417657

Please be informed that the data shown in this PDF Document is generated from our Online Catalog. Please find the complete data in the user's documentation. Our General Terms of Use for Downloads are valid (<http://phoenixcontact.com/download>)




Cable gland, cable gland material: PA, external cable diameter 30 mm ... 36 mm, shielding: no, connecting thread: M50 x 1.5, color: lightgrey RAL 7035

Your advantages

- Plastic material conforms to UL 746C f1

Key Commercial Data

Packing unit	1 pc
GTIN	 4 055626 121604
GTIN	4055626121604
Custom tariff number	39269097
Country of origin	Turkey

Technical data

Dimensions

Length	71 mm
Wrench size, union nut	60 mm
Wrench size, support	60 mm
Hexagon angular dimension	67.7 mm
Length of the connecting thread	18 mm
Feed-through hole diameter	50.1 mm ... 50.3 mm
External cable diameter	30 mm ... 36 mm
	30 mm ... 38 mm (for UL 514 B)

Ambient conditions

Cable gland - G-INS-M50-L68L-PNES-LG - 1417657

Technical data

Ambient conditions

Degree of protection (IP)	IP68 (5 bar / 0.5 h)
	IP66
Ambient temperature (operation)	-40 °C ... 100 °C (static)

General

No. of conductors	1
Cable gland material	PA
Cable seal material	CR
Flammability rating according to UL 94	V2
	V2 (Housing)
Shielded	no
Thread type on connection side	M50 x 1.5
Torque	20 Nm ± (2 Nm)
Color	lightgrey RAL 7035
Impact category	4
Execution of the strain relief	A
Assembly instructions	1) Mount screw connection support in the housing using the correct torque 2) Insert cable 3) Tighten union nut using the correct torque
Manufacturer	BIMED
Manufacturer Designation	BM-19

Standards and Regulations

Flammability rating according to UL 94	V2
--	----

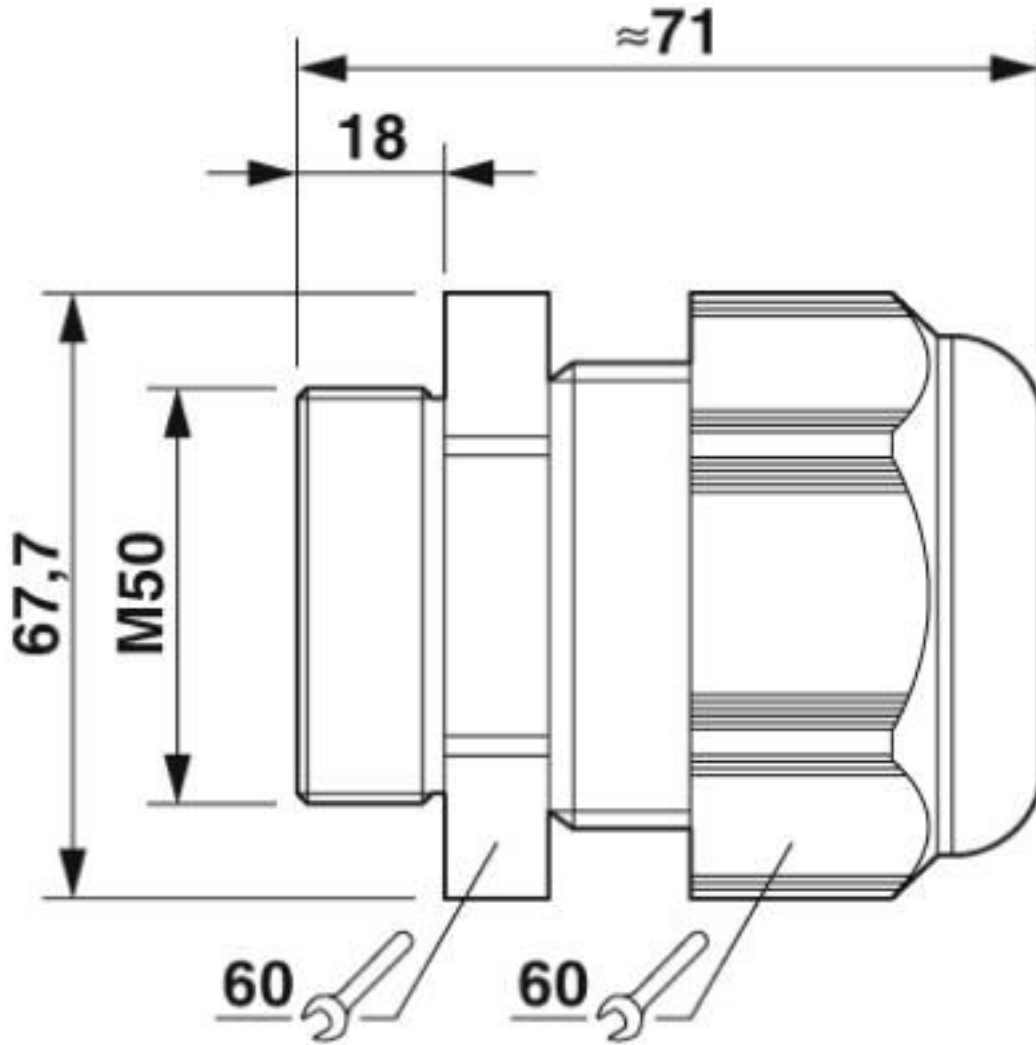
Environmental Product Compliance

China RoHS	Environmentally friendly use period: unlimited = EFUP-e
	No hazardous substances above threshold values

Drawings

Cable gland - G-INS-M50-L68L-PNES-LG - 1417657

Dimensional drawing



Dimensional drawing

Classifications

eCl@ss

eCl@ss 10.0.1	27144432
eCl@ss 4.0	27141200
eCl@ss 4.1	27141200
eCl@ss 5.0	27149100
eCl@ss 5.1	27149109

Cable gland - G-INS-M50-L68L-PNES-LG - 1417657

Classifications

eCl@ss

eCl@ss 6.0	27149100
eCl@ss 7.0	27149109
eCl@ss 8.0	27149109
eCl@ss 9.0	27144432

ETIM

ETIM 5.0	EC000441
ETIM 6.0	EC000441
ETIM 7.0	EC000441

UNSPSC

UNSPSC 13.2	39121311
UNSPSC 18.0	39121311
UNSPSC 19.0	39121311
UNSPSC 20.0	39121311
UNSPSC 21.0	39121311

Approvals

Approvals

Approvals

UL Listed / cUL Listed / cULus Listed

Ex Approvals

Approval details

UL Listed		http://database.ul.com/cgi-bin/XYV/template/LISEXT/1FRAME/index.htm	E199260
-----------	--	---	---------

cUL Listed		http://database.ul.com/cgi-bin/XYV/template/LISEXT/1FRAME/index.htm	E199260
------------	--	---	---------

Cable gland - G-INS-M50-L68L-PNES-LG - 1417657

Approvals

cULus Listed



Accessories

Accessories

Flat nut

Counter nut - A-INL-M50-P-LG - 1417665



Counter nut, material: PA 6 GF 30, for threads M50 x 1.5, color: lightgrey RAL 7035

Sealing plugs

Closing cap - SEALING PLUG 35X35 RD - 1421865



Closing cap, material: PA, color: red