

Contact insert module - HC-M-02-PN-M-F - 1417434

Please be informed that the data shown in this PDF Document is generated from our Online Catalog. Please find the complete data in the user's documentation. Our General Terms of Use for Downloads are valid (<http://phoenixcontact.com/download>)



Contact insert module, number of positions: 2, Socket, Pin, application: Pneumatics, for internal hose diameter of 6 mm



COMPLETE

Key Commercial Data

Packing unit	1 pc
Minimum order quantity	5 pc
GTIN	 4 055626 112954
GTIN	4055626112954
Weight per Piece (excluding packing)	4.000 g
Custom tariff number	85389099
Country of origin	Poland

Technical data

Dimensions

Height	27.2 mm
Width	34.2 mm
Length	14.6 mm

Electrical characteristics

Connection profile	2
--------------------	---

Ambient conditions

Ambient temperature (operation)	-40 °C ... 80 °C
---------------------------------	------------------

Mechanical characteristics

Contact diameter	8 mm
------------------	------

Contact insert module - HC-M-02-PN-M-F - 1417434

Technical data

Mechanical characteristics

Internal diameter of pressure hose connection	6 mm
Insertion/withdrawal cycles	≥ 500

General

Note	For HEAVYCON ADVANCE housing type B6 to B24 and HEAVYCON housing type B6 to B48. HEAVYCON HC-M-B...-MF... module carrier frame required, HC-M-PN... pneumatic pins and sockets are not supplied as standard.
	Connectors may be operated only when there is no load/voltage.
	The use of guide pins (HC-CST) and sockets (HC-CBU) is recommended to prevent tip collision due to misalignment.
Series	HC-M-02-PN
Integrated valve	No
Color	light gray
Number of module slots	1
Flammability rating according to UL 94	V0
Assembly instructions	To ensure correct use, installation in housing with IP54 protection or better is required
Connection	<ul style="list-style-type: none"> - Snap the pneumatic contact and module together. Insert the contact into the module from the front - Place the modules assembled with the contacts in the module carrier frame. - The pneumatic tubes are pushed onto the pneumatic contact from the back of the module. The medium-sized module slots and sleeves/coupling housing with straight cable outlet direction are recommended.

Material data

Contact carrier material	PC
--------------------------	----

Standards and Regulations

Flammability rating according to UL 94	V0
--	----

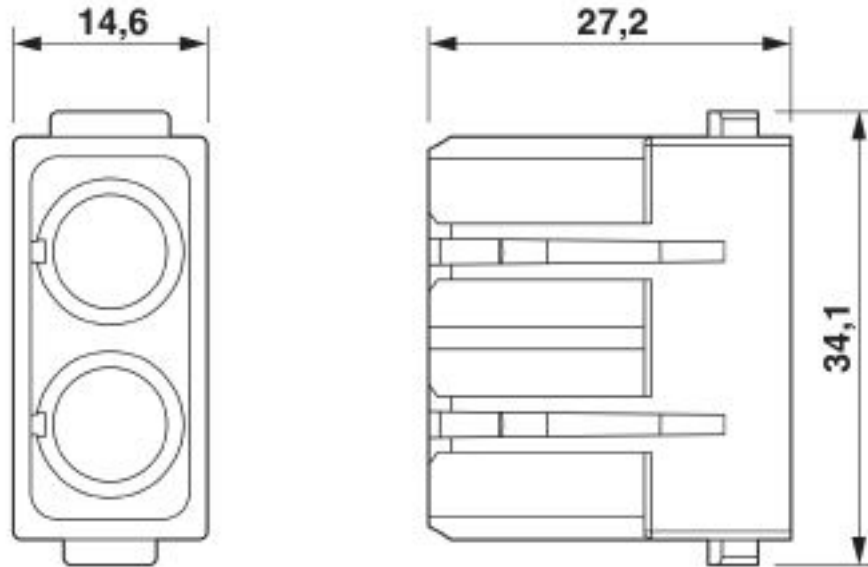
Environmental Product Compliance

China RoHS	Environmentally friendly use period: unlimited = EFUP-e
	No hazardous substances above threshold values

Drawings

Contact insert module - HC-M-02-PN-M-F - 1417434

Dimensional drawing



Classifications

eCl@ss

eCl@ss 10.0.1	27440220
eCl@ss 5.1	27261200
eCl@ss 6.0	27261200
eCl@ss 7.0	27440205
eCl@ss 8.0	27440205
eCl@ss 9.0	27440220

ETIM

ETIM 5.0	EC000438
ETIM 6.0	EC000438
ETIM 7.0	EC000438

UNSPSC

UNSPSC 13.2	39121421
UNSPSC 18.0	39121421
UNSPSC 19.0	39121421
UNSPSC 20.0	39121421
UNSPSC 21.0	39121421

Contact insert module - HC-M-02-PN-M-F - 1417434

Approvals

Approvals

Approvals

CSA / UL Recognized / EAC / EAC

Ex Approvals

Approval details

CSA		http://www.csagroup.org/services-industries/product-listing/	13631
-----	--	---	-------

UL Recognized		http://database.ul.com/cgi-bin/XYV/template/LISEXT/1FRAME/index.htm	E118976
---------------	--	---	---------

EAC			RU C- DE.AI30.B.01102
-----	--	--	--------------------------

EAC			RU C- DE.BL08.B.00511
-----	--	--	--------------------------

Accessories

Accessories

Coding element

Coding element - HC-CBU-MOD - 1636130



Coding socket for coding up to 16 connectors, for HC Modular

Contact insert module - HC-M-02-PN-M-F - 1417434

Accessories

Coding element - HC-CST-MOD - 1636127



Coding peg for coding up to 16 connectors, for HC Modular

Module carrier frame

Module carrier frame - HC-M-B06-MFH-B - 1182085



Module carrier frame, size: B6, type : for the panel mounting side (a, b, c, ...), 4 mm² ... 6 mm², application: Module carrier frame

Module carrier frame - HC-M-B10-MFH-B - 1182088



Module carrier frame, size: B10, type : for the panel mounting side (a, b, c, ...), 4 mm² ... 6 mm², application: Module carrier frame

Module carrier frame - HC-M-B16-MFH-B - 1182090



Module carrier frame, size: B16, type : for the panel mounting side (a, b, c, ...), 4 mm² ... 6 mm², application: Module carrier frame

Module carrier frame - HC-M-B24-MFH-B - 1182094



Module carrier frame, size: B24, type : for the panel mounting side (a, b, c, ...), 4 mm² ... 6 mm², application: Module carrier frame

Contact insert module - HC-M-02-PN-M-F - 1417434

Accessories

Module carrier frame - HC-M-B06-MFH-H - 1182087



Module carrier frame, size: B6, type : for the sleeve side (A, B, C, ...), 4 mm² ... 6 mm², application: Module carrier frame

Module carrier frame - HC-M-B10-MFH-H - 1182089



Module carrier frame, size: B10, type : for the sleeve side (A, B, C, ...), 4 mm² ... 6 mm², application: Module carrier frame

Module carrier frame - HC-M-B16-MFH-H - 1182093



Module carrier frame, size: B16, type : for the sleeve side (A, B, C, ...), 4 mm² ... 6 mm², application: Module carrier frame

Module carrier frame - HC-M-B24-MFH-H - 1182095



Module carrier frame, size: B24, type : for the sleeve side (A, B, C, ...), 4 mm² ... 6 mm², application: Module carrier frame

Pneumatic contact

Pneumatic contact - HC-M-PN2-6,00-ST - 1676750



Pneumatic pin, for HC-M-PN2 module, internal hose diameter of 6.0 mm

Contact insert module - HC-M-02-PN-M-F - 1417434

Accessories

Pneumatic contact - HC-M-PN2-6,00-BU - 1676763



Pneumatic socket, for HC-M-PN2 module, internal hose diameter of 6.0 mm

Pneumatic contact - HC-M-PN2-6,00-BU-V - 1676776



Pneumatic socket with valve, for HC-M-PN2 module, internal hose diameter of 6.0 mm
