

## FO transceiver - FOC-M12-MNNA-TC-650 - 1416716

Please be informed that the data shown in this PDF Document is generated from our Online Catalog. Please find the complete data in the user's documentation. Our General Terms of Use for Downloads are valid (<http://phoenixcontact.com/download>)



M12 FO transceiver, duplex, wavelength: 650 nm for 125 Mbps, for POF and PCF fiber, for PCB mounting, M16 fastening thread, with sealing cap, including I<sup>2</sup>C interface for transceiver monitoring and management

M12 OPTIC transceiver for POF and PCF

### Product Description

M12 OPTIC transceiver, 650 nm, 125 Mbps

### Your advantages

- ✓ for data rates of up to 125 Mbps
- ✓ robust metal housing
- ✓ Pin connector pattern in accordance with DIN/IEC 61754-27
- ✓ I<sup>2</sup>C management interface
- ✓ Signal Detect (SD) output
- ✓ PECL inputs/outputs
- ✓ -4 dBm output power
- ✓ -20 dBm receiver sensitivity



### Key Commercial Data

Packing unit	1 pc
GTIN	
GTIN	4046356480819
Weight per Piece (excluding packing)	40.000 g
Custom tariff number	85366990
Country of origin	Germany

## FO transceiver - FOC-M12-MNNA-TC-650 - 1416716

### Technical data

#### Mechanical characteristics

Connection method	M12
Number of slots	2
Weight	46.5 g
Flammability rating according to UL 94	V0

#### Ambient conditions

Ambient temperature (operation)	-40 °C ... 85 °C
Ambient temperature (assembly)	-5 °C ... 55 °C
Ambient temperature (storage/transport)	-40 °C ... 85 °C

#### Material data

Housing material	Metal
------------------	-------

#### Standards and Regulations

Flammability rating according to UL 94	V0
--	----

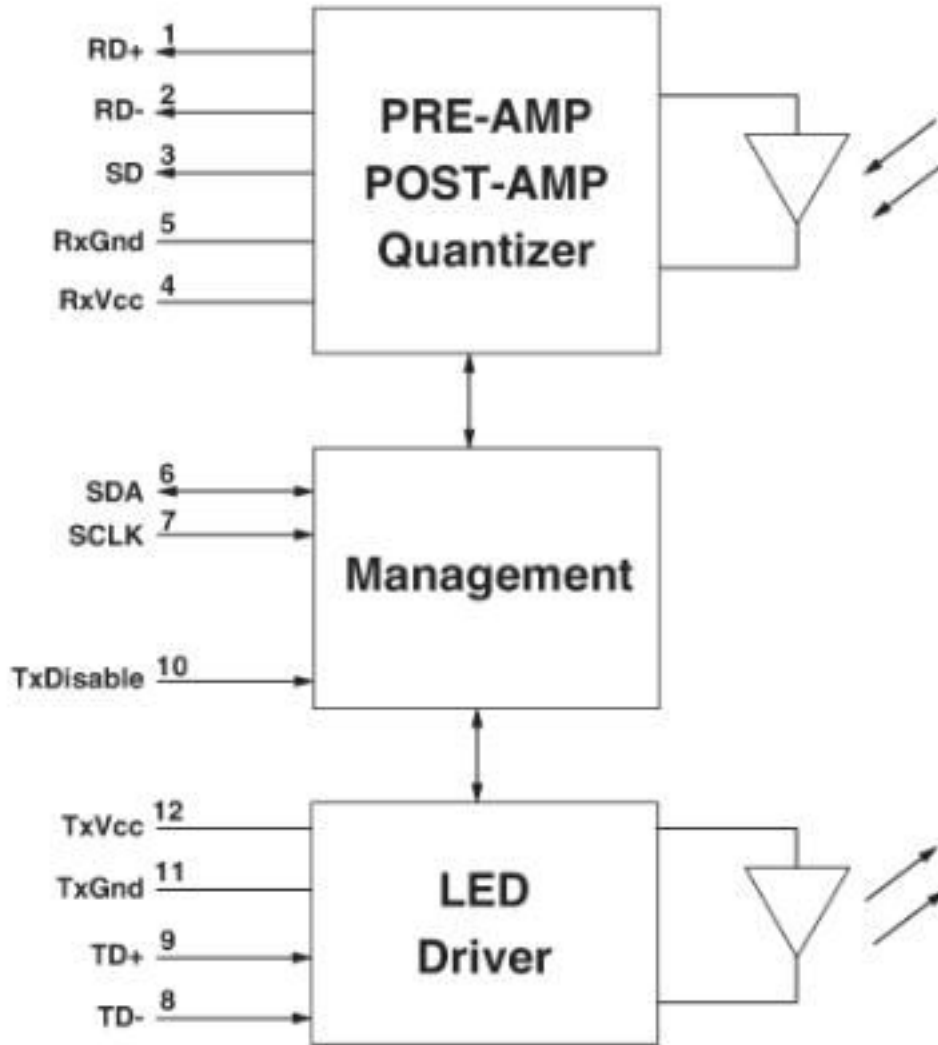
#### Environmental Product Compliance

China RoHS	Environmentally friendly use period: unlimited = EFUP-e
	No hazardous substances above threshold values

### Drawings

# FO transceiver - FOC-M12-MNNA-TC-650 - 1416716

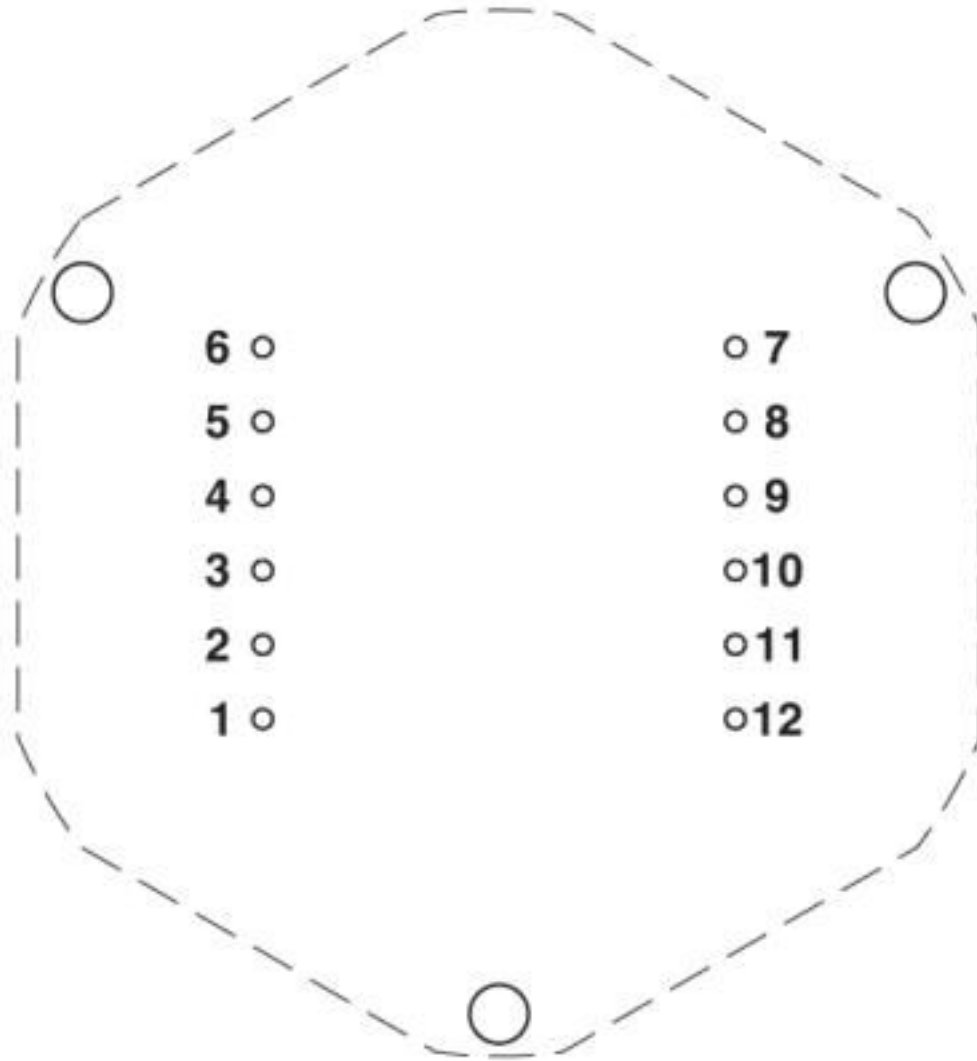
Block diagram



Transceiver block diagram

# FO transceiver - FOC-M12-MNNA-TC-650 - 1416716

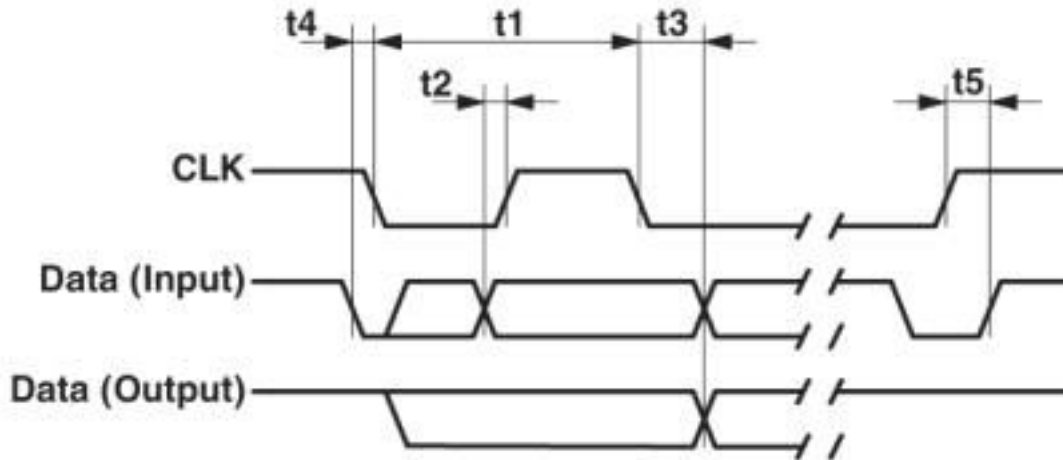
Schematic diagram



Pin assignment, component mounting side view

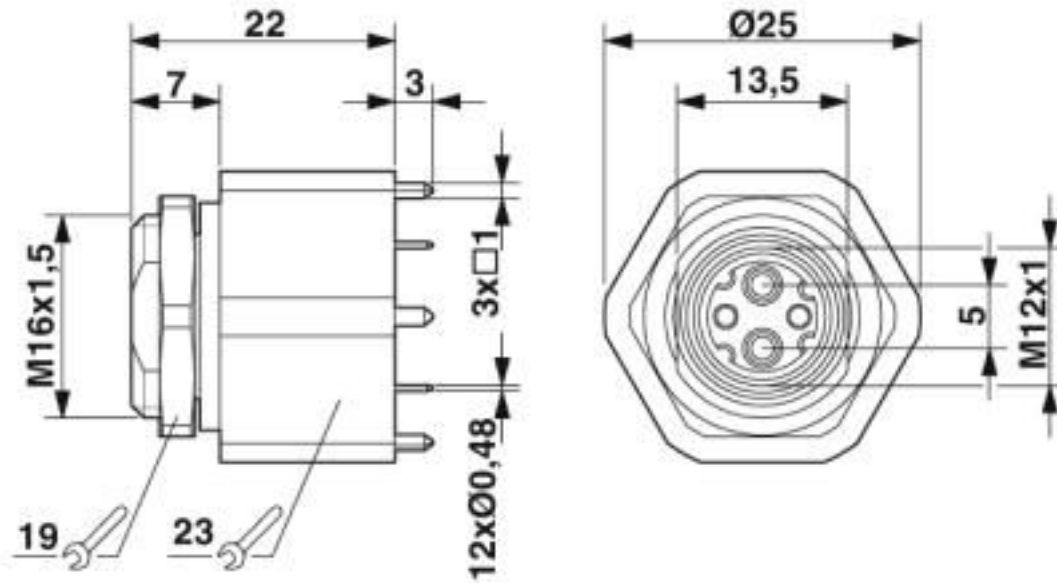
# FO transceiver - FOC-M12-MNNA-TC-650 - 1416716

Diagram



I2C bus timing

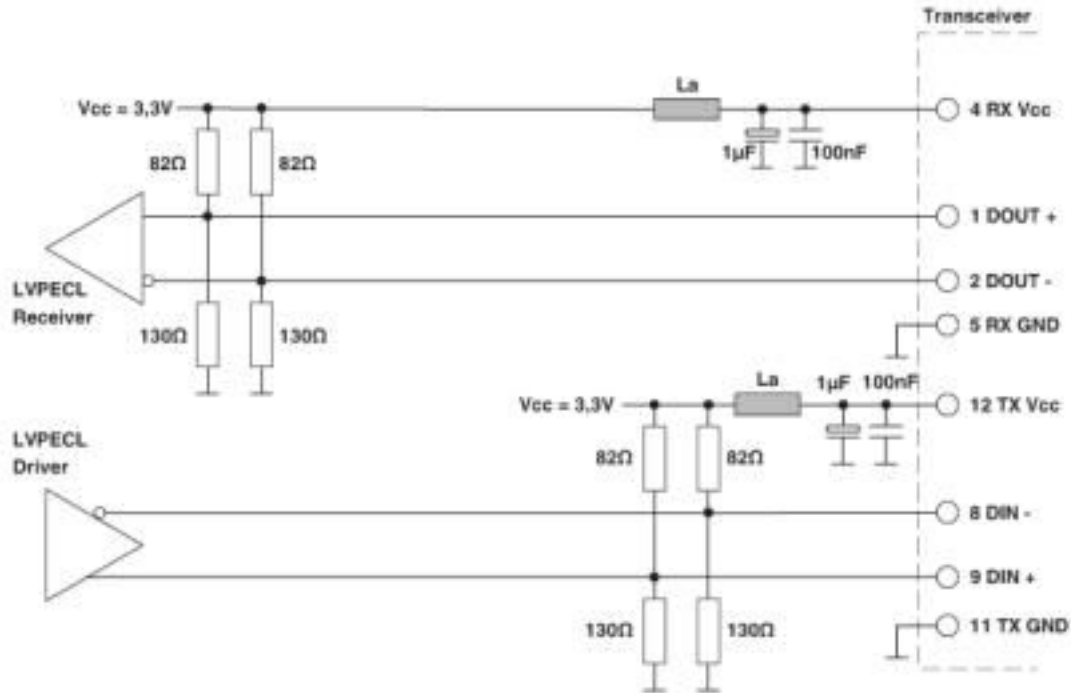
Dimensional drawing



Housing dimensions

# FO transceiver - FOC-M12-MNNA-TC-650 - 1416716

Circuit diagram



External wiring of the transceiver.

Ferrite coil La:

Typical impedance of 120 Ohm at 100 MHz,

Maximum DC resistance of 0.15 Ohm at 200 mA

## Classifications

eCl@ss

eCl@ss 10.0.1	19170122
eCl@ss 4.0	27260700
eCl@ss 4.1	27260700
eCl@ss 5.0	27260700
eCl@ss 5.1	27260700
eCl@ss 6.0	27260700
eCl@ss 7.0	27440312
eCl@ss 8.0	19170122
eCl@ss 9.0	19170122

ETIM

ETIM 3.0	EC001122
ETIM 4.0	EC001122

## FO transceiver - FOC-M12-MNNA-TC-650 - 1416716

### Classifications

#### ETIM

ETIM 5.0	EC001122
ETIM 6.0	EC001122
ETIM 7.0	EC001122

#### UNSPSC

UNSPSC 6.01	31261501
UNSPSC 7.0901	31261501
UNSPSC 11	31261501
UNSPSC 12.01	31261501
UNSPSC 13.2	43223310
UNSPSC 18.0	43223310
UNSPSC 19.0	43223310
UNSPSC 20.0	43223310
UNSPSC 21.0	43223310