

Connector set - HC-STA-B16PT-BWD-LT-M25-ELCAL - 1416349


Please be informed that the data shown in this PDF Document is generated from our Online Catalog. Please find the complete data in the user's documentation. Our General Terms of Use for Downloads are valid (<http://phoenixcontact.com/download>)



Connector set, number of positions: 16, material: Die-cast aluminum, salt water resistant, connection method: Push-in connection, connection cross section: AWG 26- 14



Key Commercial Data

| | |
|--------------------------------------|---|
| Packing unit | 1 pc |
| GTIN |  4 055626 071213 |
| GTIN | 4055626071213 |
| Weight per Piece (excluding packing) | 580.000 g |
| Custom tariff number | 85366990 |
| Country of origin | China |

Technical data

General

| | |
|----------------------------------|--------------------|
| Number of positions | 16+PE |
| Type | B16 |
| Connection method | Push-in connection |
| Degree of protection for housing | IP66 |
| | IP67 |
| | 4 (UL 50e) |
| | 4X (UL 50e) |
| | 12 (UL 50e) |
| Connection method | Push-in connection |
| Rated voltage (III/3) | 500 V |
| Rated surge voltage | 6 kV |

Connector set - HC-STA-B16PT-BWD-LT-M25-ELCAL - 1416349

Technical data

General

| | |
|---------------------------------|---|
| Rated current | 16 A |
| Conductor cross section | 0.14 mm ² ... 2.5 mm ² (with ferrule) |
| Connection cross section AWG | 26 ... 14 |
| External cable diameter | 11 mm ... 17 mm |
| Ambient temperature (operation) | -40 °C ... 100 °C |
| Length of the assembly cutout | 86 mm |
| Width of the assembly cutout | 35 mm |
| Housing material | Die-cast aluminum, salt water resistant |
| Contact carrier material | PC |
| Locking latch material | PA |
| Integrated protective cover | no |

Standards and Regulations

| | |
|--|----|
| Flammability rating according to UL 94 | V0 |
|--|----|

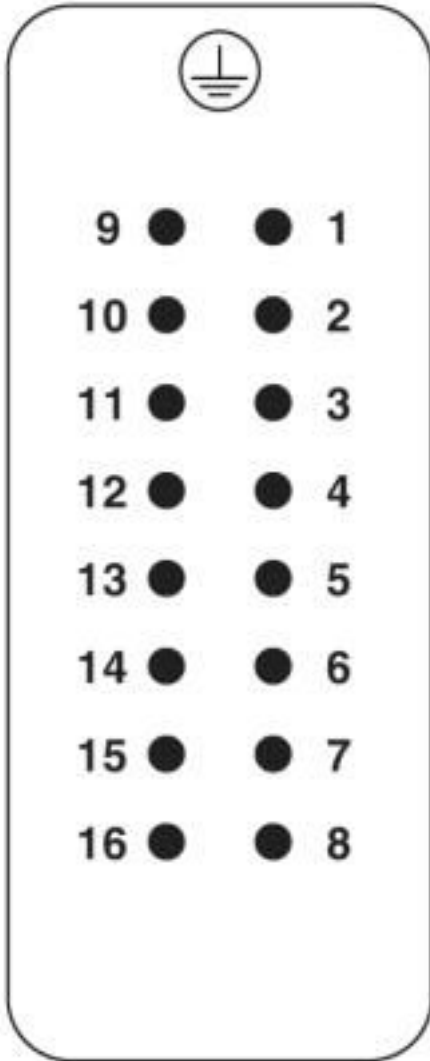
Environmental Product Compliance

| | |
|------------|---|
| REACH SVHC | Lead 7439-92-1 |
| China RoHS | Environmentally Friendly Use Period = 50 years |
| | For details about hazardous substances go to tab "Downloads", Category "Manufacturer's declaration" |

Drawings

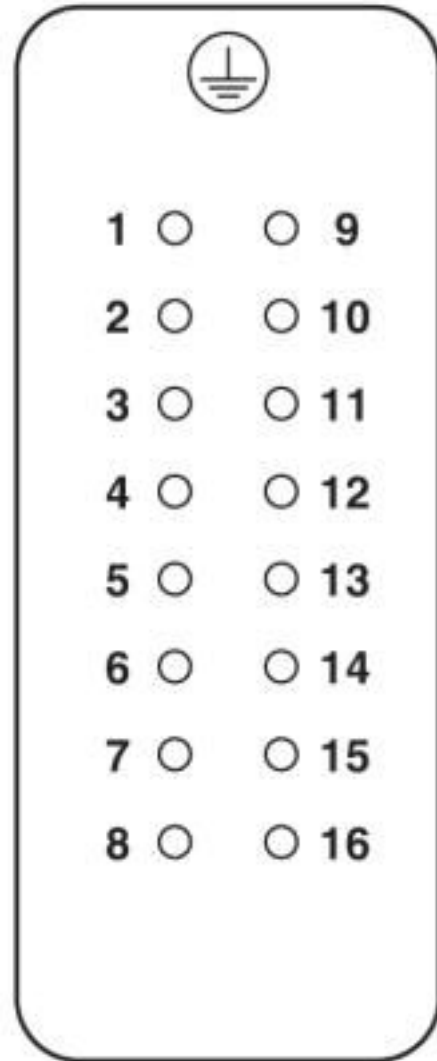
Connector set - HC-STA-B16PT-BWD-LT-M25-ELCAL - 1416349

Schematic diagram



Pin assignment, connection side, pin

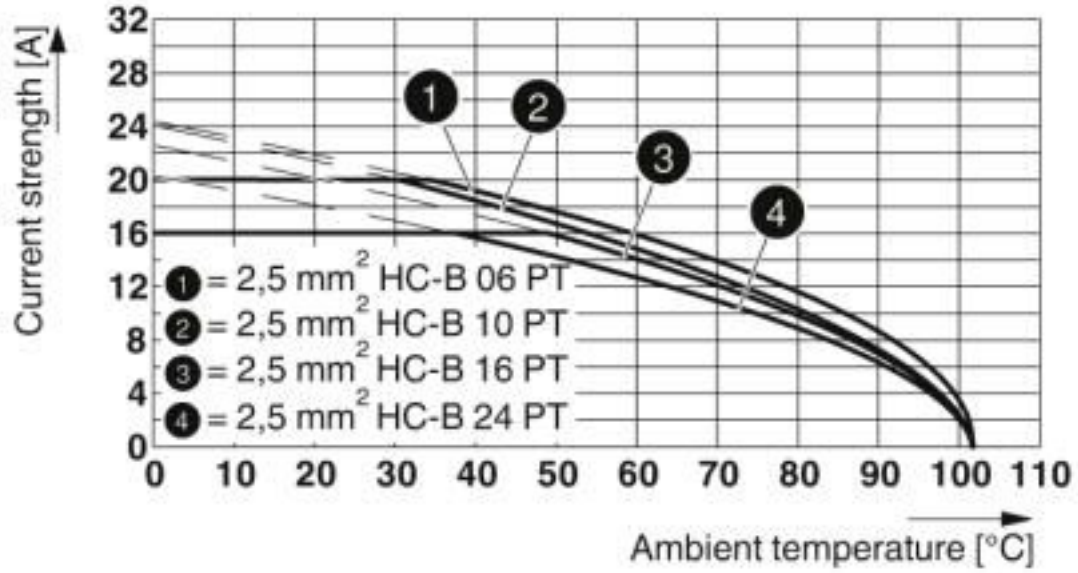
Schematic diagram



Pin assignment, connection side, socket

Connector set - HC-STA-B16PT-BWD-LT-M25-ELCAL - 1416349

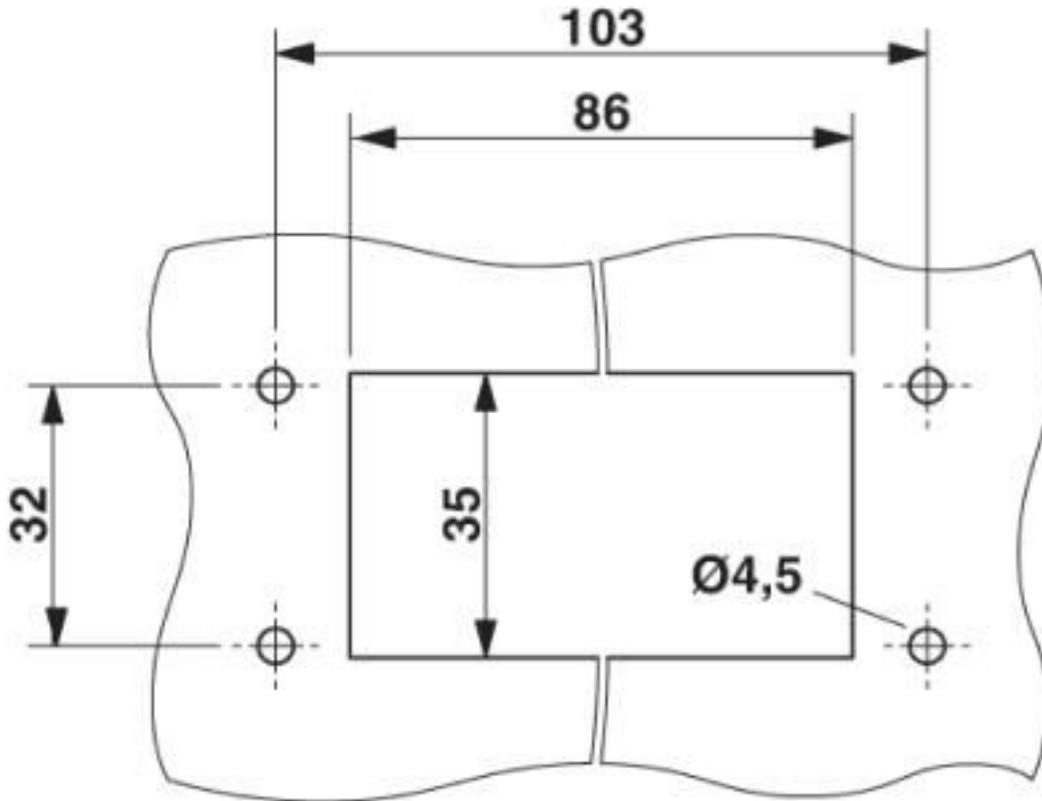
Diagram



Derating diagram

Connector set - HC-STA-B16PT-BWD-LT-M25-ELCAL - 1416349

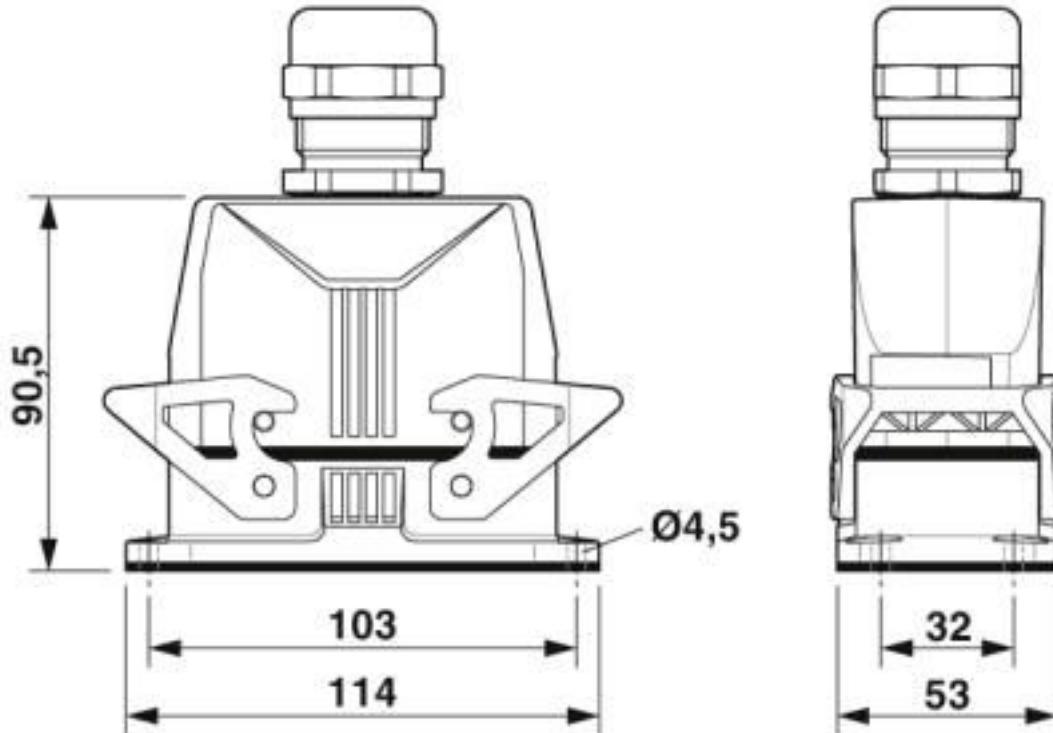
Dimensional drawing



Mounting cutout

Connector set - HC-STA-B16PT-BWD-LT-M25-ELCAL - 1416349

Dimensional drawing



Dimensional drawing

Articles in set

Contact insert - HC-B16-I-PT-F - 1407731



HEAVYCON socket insert, B16 series, 16 + PE-pos., push-in connection

Contact insert - HC-B16-I-PT-M - 1407732



HEAVYCON pin insert, B16 series, 16 + PE-pos., push-in connection

Connector set - HC-STA-B16PT-BWD-LT-M25-ELCAL - 1416349

Articles in set

Housing - HC-STA-B16-BWD-ELC-AL - 1411327



HEAVYCON B16 panel mounting base, with double locking latch, with flat gasket, salt-water-resistant aluminum, conductive profile gasket

Housing - HC-STA-B16-HLFD-1TTM25-EL-AL - 1412721



Sleeve housing B16, for double locking latch, material: Die-cast aluminum, salt water resistant, cable outlets: 1, straight, height: 60 mm, cable gland: none, support sleeve: no, 1x M25, Standard

Cable gland - G-INS-M25-M68N-NNES-S - 1411165



Cable gland, cable gland material: Nickel-plated brass, external cable diameter 11 mm ... 17 mm, shielding: no, connecting thread: M25 x 1.5, color: silver, with O-ring

Classifications

eCl@ss

| | |
|---------------|----------|
| eCl@ss 10.0.1 | 27440101 |
| eCl@ss 4.0 | 27260700 |
| eCl@ss 4.1 | 27260700 |
| eCl@ss 5.0 | 27260700 |
| eCl@ss 5.1 | 27260700 |
| eCl@ss 6.0 | 27260700 |
| eCl@ss 7.0 | 27440101 |
| eCl@ss 8.0 | 27440101 |
| eCl@ss 9.0 | 27440101 |

ETIM

| | |
|----------|----------|
| ETIM 5.0 | EC002636 |
| ETIM 6.0 | EC002636 |

Connector set - HC-STA-B16PT-BWD-LT-M25-ELCAL - 1416349

Classifications

ETIM

| | |
|----------|----------|
| ETIM 7.0 | EC002636 |
|----------|----------|

UNSPSC

| | |
|-------------|----------|
| UNSPSC 13.2 | 39121409 |
| UNSPSC 18.0 | 39121409 |
| UNSPSC 19.0 | 39121409 |
| UNSPSC 20.0 | 39121409 |
| UNSPSC 21.0 | 39121409 |

Approvals

Approvals

Approvals

EAC / DNV GL / EAC

Ex Approvals

Approval details

| | | |
|-----|--|--------------------------|
| EAC | | RU C- DE.AI30.B.01102 |
|-----|--|--------------------------|

| | | | |
|--------|--|---|------------|
| DNV GL | | https://approvalfinder.dnvgl.com/ | TAE000037S |
|--------|--|---|------------|

| | | |
|-----|--|--------------------------|
| EAC | | RU C- DE.BL08.B.00511 |
|-----|--|--------------------------|