

# Connector set - HC-STA-B06PT-BWSC-LT-M20-ELCAL - 1416344


Please be informed that the data shown in this PDF Document is generated from our Online Catalog. Please find the complete data in the user's documentation. Our General Terms of Use for Downloads are valid (<http://phoenixcontact.com/download>)



Connector set, number of positions: 6, material: Die-cast aluminum, salt water resistant, connection method: Push-in connection, connection cross section: AWG 26- 14



## Key Commercial Data

Packing unit	1 pc
GTIN	 4 055626 069876
GTIN	4055626069876
Weight per Piece (excluding packing)	400.000 g
Custom tariff number	85366990
Country of origin	China

## Technical data

### General

Number of positions	6+PE
Type	B6
Rated voltage	500 V
Rated current	16 A
Connection method	Push-in connection
Degree of protection for housing	IP66
	IP67
Connection method	Push-in connection
Rated voltage (III/3)	500 V
Rated surge voltage	6 kV
Rated current	16 A

## Connector set - HC-STA-B06PT-BWSC-LT-M20-ELCAL - 1416344

### Technical data

#### General

Conductor cross section	0.14 mm <sup>2</sup> ... 2.5 mm <sup>2</sup> (with ferrule)
Connection cross section AWG	26 ... 14
External cable diameter	6 mm ... 12 mm
Ambient temperature (operation)	-40 °C ... 100 °C
Length of the assembly cutout	52 mm
Width of the assembly cutout	35 mm
Housing material	Die-cast aluminum, salt water resistant
Contact carrier material	PC
Locking latch material	PA
Integrated protective cover	Yes

#### Standards and Regulations

Flammability rating according to UL 94	V0
--	----

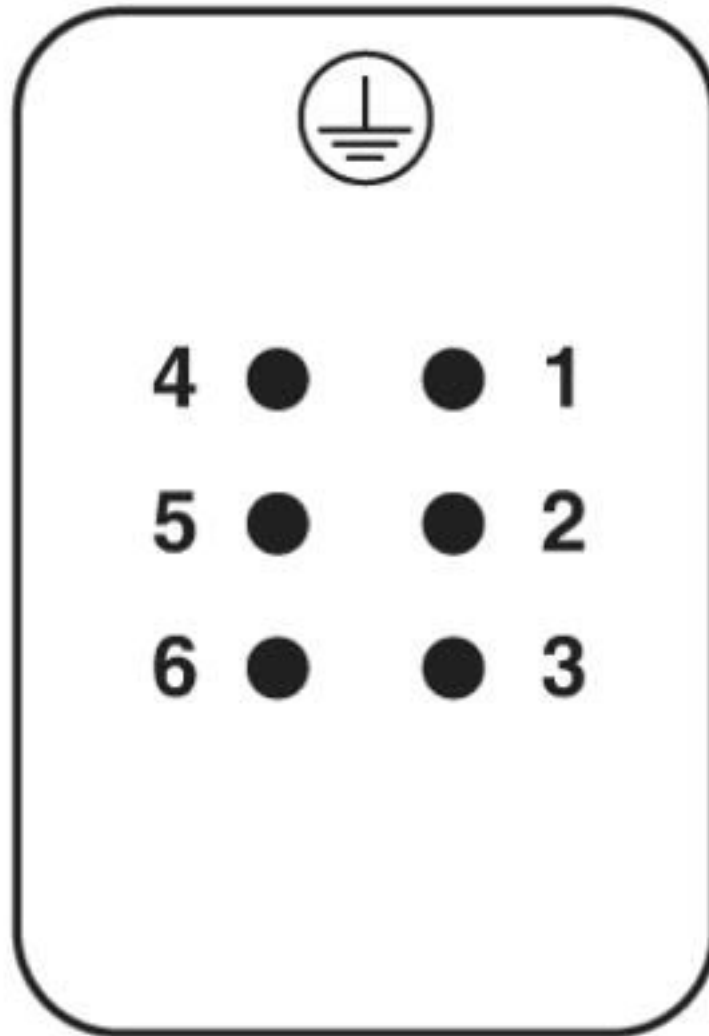
#### Environmental Product Compliance

REACH SVHC	Lead 7439-92-1
China RoHS	Environmentally Friendly Use Period = 50 years
	For details about hazardous substances go to tab "Downloads", Category "Manufacturer's declaration"

### Drawings

# Connector set - HC-STA-B06PT-BWSC-LT-M20-ELCAL - 1416344

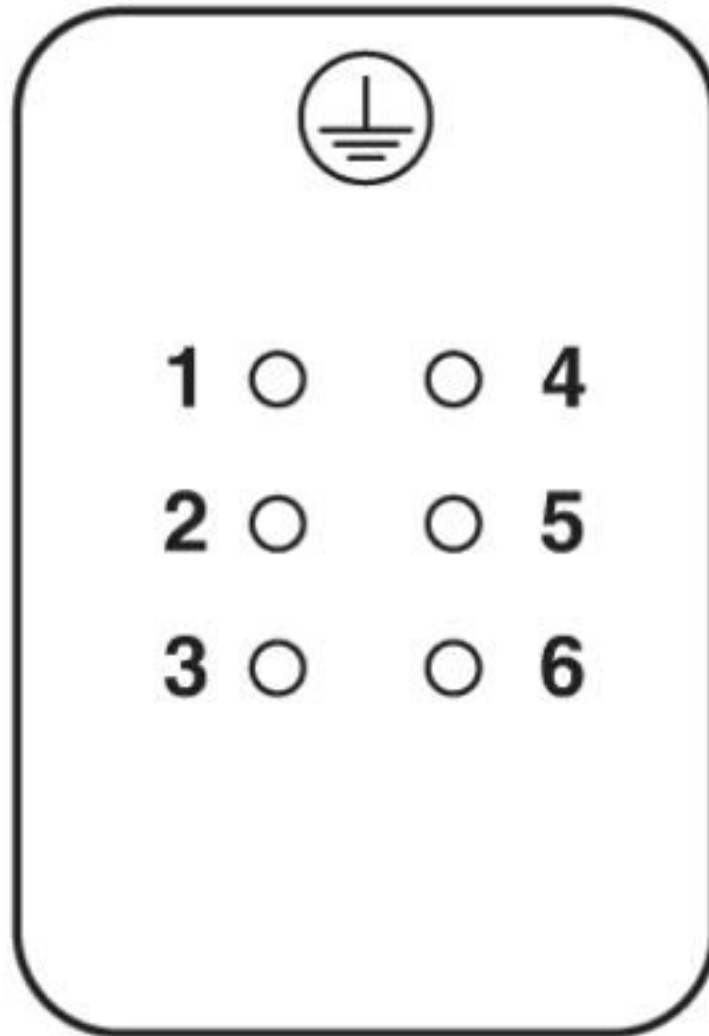
Schematic diagram



Pin assignment, connection side, pin

# Connector set - HC-STA-B06PT-BWSC-LT-M20-ELCAL - 1416344

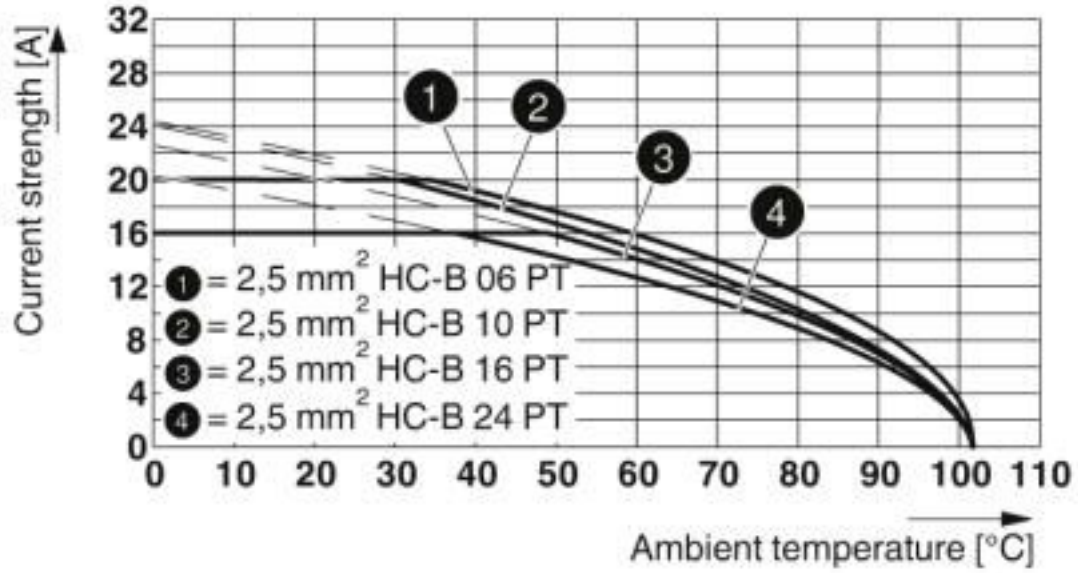
Schematic diagram



Pin assignment, connection side, socket

# Connector set - HC-STA-B06PT-BWSC-LT-M20-ELCAL - 1416344

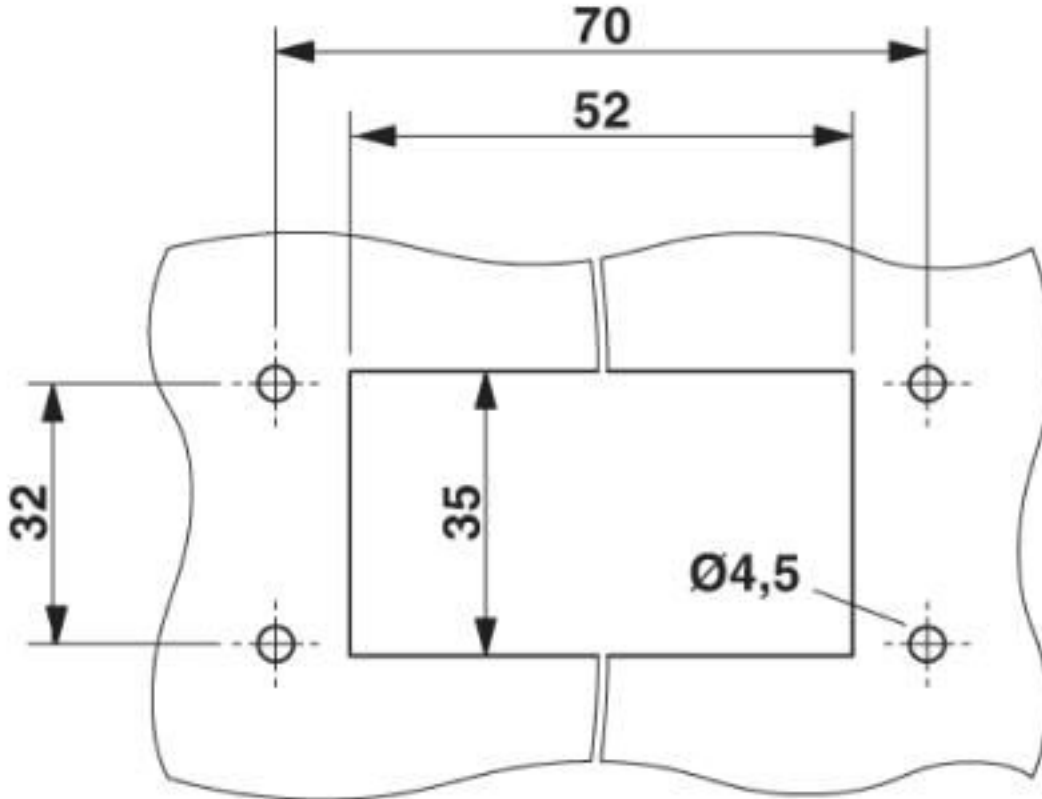
Diagram



Derating diagram

# Connector set - HC-STA-B06PT-BWSC-LT-M20-ELCAL - 1416344

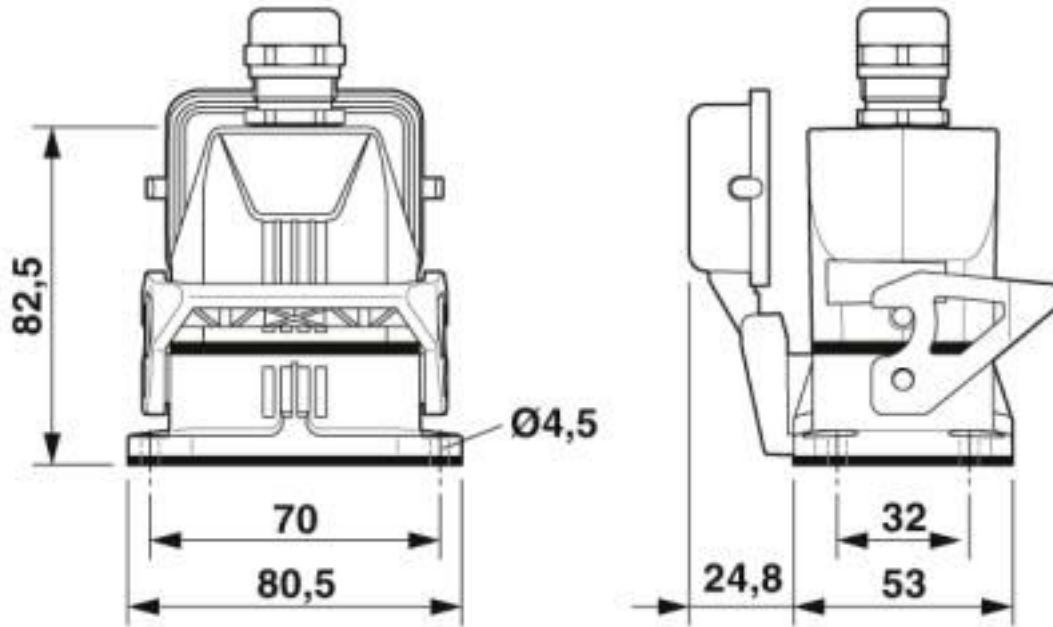
Dimensional drawing



Mounting cutout

## Connector set - HC-STA-B06PT-BWSC-LT-M20-ELCAL - 1416344

Dimensional drawing



Dimensional drawing

### Articles in set

Contact insert - HC-B06-I-PT-F - 1407727



HEAVYCON socket insert, B6 series, 6 + PE-pos., push-in connection

Contact insert - HC-B06-I-PT-M - 1407728



HEAVYCON pin insert, B6 series, 6 + PE-pos., push-in connection

# Connector set - HC-STA-B06PT-BWSC-LT-M20-ELCAL - 1416344

## Articles in set

Housing - HC-STA-B06-HLFS-1TTM20-EL-AL - 1412574



Sleeve housing B6, for single locking latch, material: Die-cast aluminum, salt water resistant, cable outlets: 1, straight, height: 52 mm, cable gland: none, support sleeve: no, 1x M20, Standard

Housing - HC-STA-B06-BWSC-ELC-AL - 1411319



HEAVYCON B6 panel mounting base, with single locking latch, with plastic protective cover, with flat gasket, salt-water-resistant aluminum, conductive profile gasket.

Cable gland - G-INS-M20-S68N-NNES-S - 1411163



Cable gland, cable gland material: Nickel-plated brass, external cable diameter 6 mm ... 12 mm, shielding: no, connecting thread: M20 x 1.5, color: silver, with O-ring

## Classifications

### eCl@ss

eCl@ss 10.0.1	27440101
eCl@ss 4.0	27260700
eCl@ss 4.1	27260700
eCl@ss 5.0	27260700
eCl@ss 5.1	27260700
eCl@ss 6.0	27260700
eCl@ss 7.0	27440101
eCl@ss 8.0	27440101
eCl@ss 9.0	27440101

### ETIM

ETIM 5.0	EC002636
ETIM 6.0	EC002636



# Connector set - HC-STA-B06PT-BWSC-LT-M20-ELCAL - 1416344

## Classifications

### ETIM

ETIM 7.0	EC002636
----------	----------

### UNSPSC

UNSPSC 13.2	39121409
UNSPSC 18.0	39121409
UNSPSC 19.0	39121409
UNSPSC 20.0	39121409
UNSPSC 21.0	39121409

## Approvals

### Approvals

#### Approvals

EAC / DNV GL / EAC

#### Ex Approvals

### Approval details

EAC		RU C- DE.AI30.B.01102
-----	--	--------------------------

DNV GL		<a href="https://approvalfinder.dnvgl.com/">https://approvalfinder.dnvgl.com/</a>	TAE000037S
--------	--	---	------------

EAC		RU C- DE.BL08.B.00511
-----	--	--------------------------