

Counter nut - A-INL-NPT3/8-N-S - 1416009


Please be informed that the data shown in this PDF Document is generated from our Online Catalog. Please find the complete data in the user's documentation. Our General Terms of Use for Downloads are valid (<http://phoenixcontact.com/download>)

Counter nut, material: Nickel-plated brass, for threads NPT3/8 inch, color: silver



RoHS

Key Commercial Data

Packing unit	1 pc
Minimum order quantity	10 pc
GTIN	 4 055626 056104
GTIN	4055626056104
Weight per Piece (excluding packing)	8.000 g
Custom tariff number	74153300
Country of origin	India

Technical data

Dimensions

Length	4 mm
Connecting thread diameter	16.6 mm
Wrench size, counter nut	21 mm
Hexagon angular dimension	24 mm

Ambient conditions

Ambient temperature (operation)	-70 °C ... 220 °C
---------------------------------	-------------------

General

Material	Nickel-plated brass
Thread type on connection side	NPT3/8 inch

Counter nut - A-INL-NPT3/8-N-S - 1416009

Technical data

General

Color	silver
-------	--------

Standards and Regulations

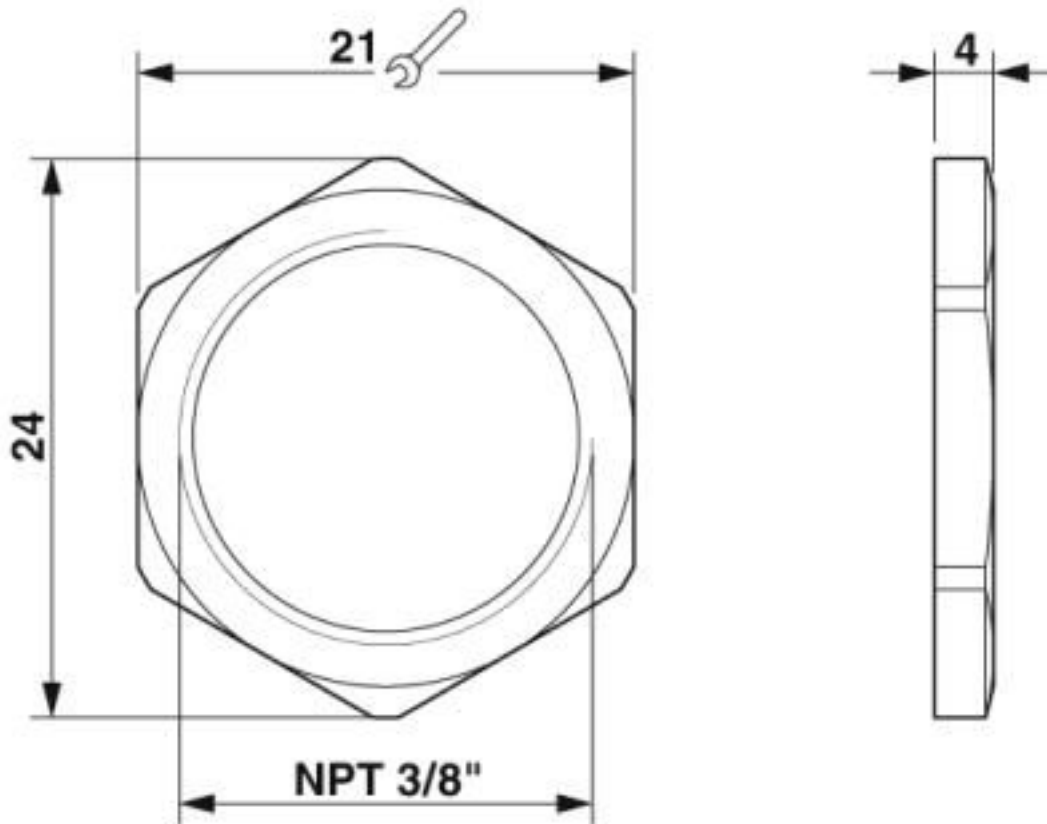
Halogen-free	yes
--------------	-----

Environmental Product Compliance

REACH SVHC	Lead 7439-92-1
China RoHS	Environmentally Friendly Use Period = 50 years
	For details about hazardous substances go to tab "Downloads", Category "Manufacturer's declaration"

Drawings

Dimensional drawing



Dimensional drawing

Counter nut - A-INL-NPT3/8-N-S - 1416009

Classifications

eCl@ss

eCl@ss 10.0.1	27144424
eCl@ss 4.0	27141200
eCl@ss 4.1	27141200
eCl@ss 5.0	27149100
eCl@ss 5.1	27149100
eCl@ss 6.0	27149100
eCl@ss 7.0	27069219
eCl@ss 8.0	27069219
eCl@ss 9.0	27144424

ETIM

ETIM 4.0	EC000129
ETIM 5.0	EC000129
ETIM 6.0	EC000940
ETIM 7.0	EC000940

UNSPSC

UNSPSC 13.2	31161716
UNSPSC 18.0	31161716
UNSPSC 19.0	31161716
UNSPSC 20.0	31161716
UNSPSC 21.0	31161716