

Pressure compensation element - A-INB-M12-69KN-P-BK - 1415223

Please be informed that the data shown in this PDF Document is generated from our Online Catalog. Please find the complete data in the user's documentation. Our General Terms of Use for Downloads are valid (<http://phoenixcontact.com/download>)



Pressure compensation element, cable gland material: Polyamide, connecting thread: M12 x 1.5, color: black, with O-ring

Your advantages

- reduces the formation of condensation

Key Commercial Data

Packing unit	1 pc
Minimum order quantity	5 pc
GTIN	 4 055626 038667
GTIN	4055626038667
Weight per Piece (excluding packing)	4.000 g
Custom tariff number	39269097
Country of origin	Germany

Technical data

Dimensions

Length	17.5 mm
Length without connecting thread	7.5 mm
Connecting thread diameter	12 mm
Wrench size, union nut	17 mm
Hexagon angular dimension	18.5 mm
Length of the connecting thread	10 mm

Ambient conditions

Pressure compensation element - A-INB-M12-69KN-P-BK - 1415223

Technical data

Ambient conditions

Degree of protection (IP)	IP66
	IP67
	IP69
Ambient temperature (operation)	-40 °C ... 105 °C

General

Cable gland material	Polyamide
Sealing material	Perbunan (O-ring)
Thread type on connection side	M12 x 1.5
Torque	0.5 Nm ... 1 Nm (Flange)
Color	black
Air flow rate	3.5 l/min (at 0.1 bar)

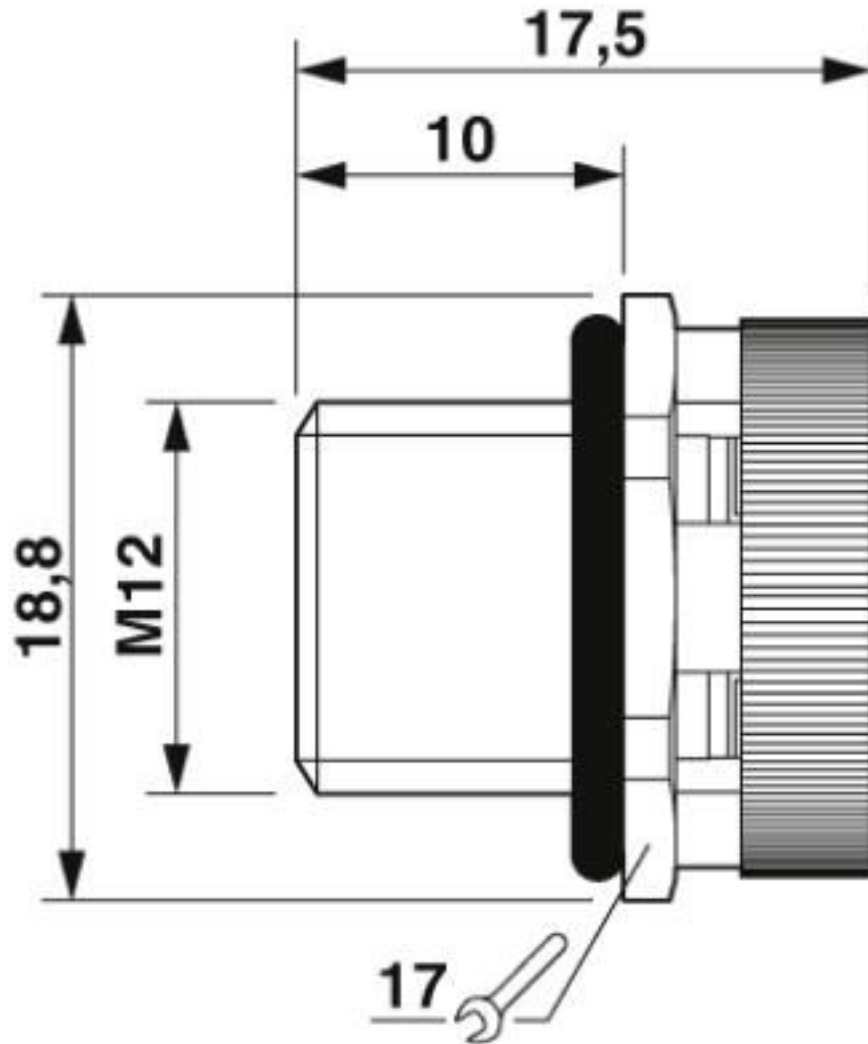
Environmental Product Compliance

China RoHS	Environmentally friendly use period: unlimited = EFUP-e
	No hazardous substances above threshold values

Drawings

Pressure compensation element - A-INB-M12-69KN-P-BK - 1415223

Dimensional drawing



Classifications

eCl@ss

eCl@ss 10.0.1	27440192
eCl@ss 4.0	27378000
eCl@ss 4.1	27378000
eCl@ss 5.0	27379100
eCl@ss 5.1	27379100
eCl@ss 6.0	27379200
eCl@ss 7.0	27379201

Pressure compensation element - A-INB-M12-69KN-P-BK - 1415223

Classifications

eCl@ss

eCl@ss 8.0	27379201
eCl@ss 9.0	27440192

ETIM

ETIM 5.0	EC002498
ETIM 6.0	EC002498
ETIM 7.0	EC002498

UNSPSC

UNSPSC 13.2	39121421
UNSPSC 18.0	39121421
UNSPSC 19.0	39121421
UNSPSC 20.0	39121421
UNSPSC 21.0	39121421

Accessories

Accessories

Flat nut

Counter nut - A-INL-M12-P-BK - 1411213



Counter nut, material: PA, for threads M12 x 1.5, color: jet black RAL 9005