

## Pressure compensation element - A-INB-M12-69KN-P-LG - 1415222

Please be informed that the data shown in this PDF Document is generated from our Online Catalog. Please find the complete data in the user's documentation. Our General Terms of Use for Downloads are valid (<http://phoenixcontact.com/download>)



Pressure compensation element, cable gland material: Polyamide, connecting thread: M12 x 1.5, color: light gray, with O-ring

### Your advantages

- reduces the formation of condensation

### Key Commercial Data

Packing unit	1 pc
Minimum order quantity	5 pc
GTIN	 4 055626 038650
GTIN	4055626038650
Weight per Piece (excluding packing)	0.020 g
Custom tariff number	39269097
Country of origin	Germany

### Technical data

#### Dimensions

Length	17.5 mm
Length without connecting thread	7.5 mm
Connecting thread diameter	12 mm
Wrench size, union nut	17 mm
Hexagon angular dimension	18.5 mm
Length of the connecting thread	10 mm

#### Ambient conditions

## Pressure compensation element - A-INB-M12-69KN-P-LG - 1415222

### Technical data

#### Ambient conditions

Degree of protection (IP)	IP66
	IP67
	IP69
Ambient temperature (operation)	-40 °C ... 105 °C

#### General

Cable gland material	Polyamide
Sealing material	Perbunan (O-ring)
Thread type on connection side	M12 x 1.5
Torque	0.5 Nm ... 1 Nm (Flange)
Color	light gray
Air flow rate	3.5 l/min (at 0.1 bar)

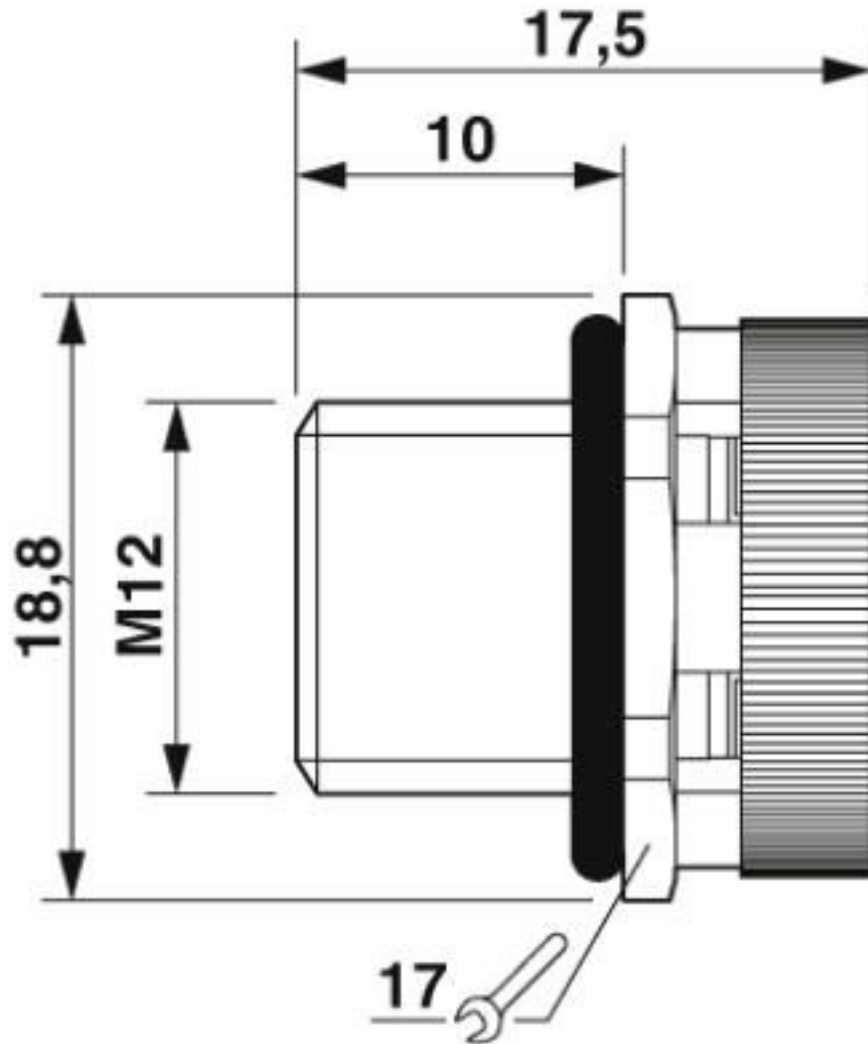
#### Environmental Product Compliance

China RoHS	Environmentally friendly use period: unlimited = EFUP-e
	No hazardous substances above threshold values

### Drawings

# Pressure compensation element - A-INB-M12-69KN-P-LG - 1415222

Dimensional drawing



## Classifications

eCl@ss

eCl@ss 10.0.1	27440192
eCl@ss 4.0	27378000
eCl@ss 4.1	27378000
eCl@ss 5.0	27379100
eCl@ss 5.1	27379100
eCl@ss 6.0	27379200
eCl@ss 7.0	27379201

## Pressure compensation element - A-INB-M12-69KN-P-LG - 1415222

### Classifications

#### eCl@ss

eCl@ss 8.0	27379201
eCl@ss 9.0	27440192

#### ETIM

ETIM 5.0	EC002498
ETIM 6.0	EC002498
ETIM 7.0	EC002498

#### UNSPSC

UNSPSC 13.2	39121421
UNSPSC 18.0	39121421
UNSPSC 19.0	39121421
UNSPSC 20.0	39121421
UNSPSC 21.0	39121421

### Accessories

#### Accessories

#### Flat nut

Counter nut - A-INL-M12-P-LG - 1417659



Counter nut, material: PA 6 GF 30, for threads M12 x 1.5, color: lightgrey RAL 7035